

RapidNet Category 6A Shielded F/FTP

6 Port Cassette to Bare End Trunk Cable - RN06G6A-CABEXX

Application/Product Description

RapidNet is the industries original cassette based pre-terminated cabling system. The patented cassette is factory terminated and tested to the customers required length and configuration, allowing engineers onsite to 'plug and play' saving up to 75% on installation time. This makes RapidNet the perfect solution for mission critical applications and environments with perpetual moves, adds and changes.

The RapidNet CAT6A Shielded trunk cables offer 6 ports and are produced with our F/FTP CPR compliant cable.

RapidNet Cassette to Bare End configuration Trunk cables offer greater installation flexibility, with one end un-terminated engineers can pull cables into pathways that may have restricted access. Additionally the bare end allows for a choice of final termination on-site.



RapidNet Category 6A Cassette to Bare End.



Technical Data

Characteristics	Specification
Cable NVP	82%
Length Range	3m - 85m
Euroclass	Dca or Cca
Shield Construction	F/FTP
Sheath Colours	Violet
Cable OD	7.0mm (Dca) 7.5mm (Cca)
Packaging	Box: < 25m
	Reel: ≥ 25m
Produced in	Northampton, UK
Warranty	25 Year System*

* For full warranty information please visit www.htdata.co.uk/downloads/25-year-warranty

Features and Benefits

- Factory terminated (controlled environment)
- Produced with CPR Compliant F/FTP Cable
- Up to 75% reduced on-site installation time
- 100% tested to the latest industry standards
- 6 port patented plug and play cassette
- Full traceability
- Produced to your length requirements
- Reduces on-site waste from excessive packaging and cable reels.
- Full eco-system of RapidNet cable management and accessories

Standards

- BS EN 50173-1
- ISO/IEC 11901-1:2002
- ANSI/TIA/EIA 568-C.2
- ISO/IEC 11801-5
- ISO/IEC 22237-5
- EN 50173-5
- ANSI/TIA 942
- IEC 60332-1
- IEC 60754-2
- IEC 61034

Cable Performance Characteristics (Nominal)

Frequency (MHz)		4	250	500
Insertion Loss (dB/100m) Min.	Standard / Typical	3.8 / 3.6	34.3 / 31.9	45.3 / 41.8
NEXT (dB) Min.	Standard / Typical	75.0 / 100.0	59.3 / 91.4	54.8 / 86.9
PS-NEXT (db) Min.	Standard / Typical	75.0 / 100.0	56.3 / 88.4	51.8 / 83.9
ACR-F (dB/100m) Min.	Standard / Typical	66.0 / 91.2	30.0 / 75.7	24.0 / 72.1
PS ACR-F (dB/100m) Min.	Standard / Typical	63.0 / 88.2	27.0 / 75.5	21.0 / 69.1
Return Loss (db) Min.	Standard / Typical	23.0 / 28.0	17.3 / 22.3	17.3 / 22.3

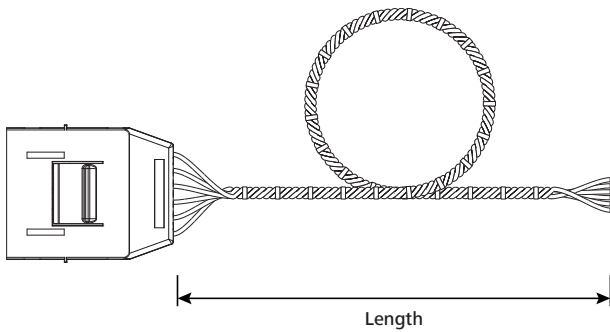
*Typical values are for permanent link tests when using the complete HellermannTyton Data System.

Cassette Specification

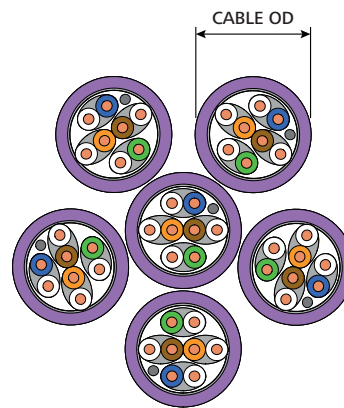
Port Count	6		
Dimensions (mm)	H	W	D
	31.0	107.0	130.0
Outlet Style	RJ45		
RJ45 Jack Life	Minimum Insertions 1000		

Cassette Materials		Jack Materials	
Cassette Cover	Polycarbonate ABS	Modular Jack Housing	Zinc Alloy
Colour	Black	Colour	Nickel
Earth Plate	Zinc Plated Steel	Contacts	Phosphor Bronze Nickel Plated with Selective Gold

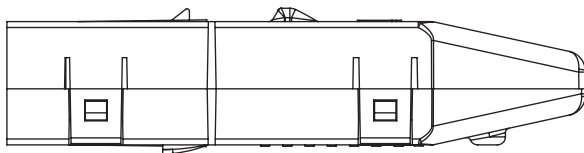
Technical Diagrams



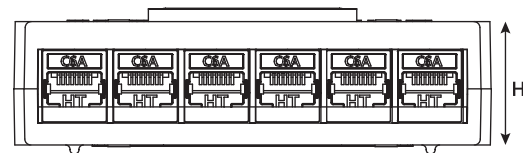
Preterminated assembly (top view)



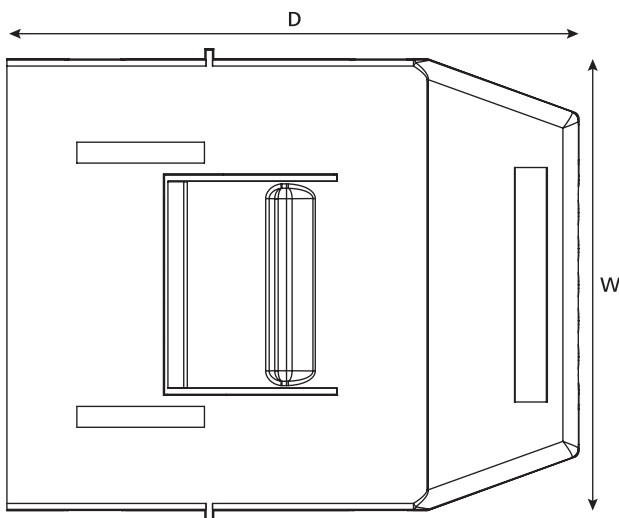
6 Port CAT6A F/FTP Bundle (cross section)



Cassette (side view)



Cassette (front view)



Cassette (top view)