



Fibre Optic Splice Trays

Compact IR SC 3A / ANT Splice Trays

Application/Product Description

The Compact Integrated Routing (IR) single circuit tray is manufactured from ABS and finished to a high specification to eliminate the risk of snagging or microbends. All retaining tabs on the tray have radius edges and rounded corners where fibre may pass.

The overall dimensions of the tray are 150 x 134 x 3.5mm.

The single circuit tray has moulded splice protector holders which are positioned at the front of the tray for ease of measurement and installation.

The maximum splice capacity of the tray is based on 12 x 3A / ANT splice protectors upto 60mm long.

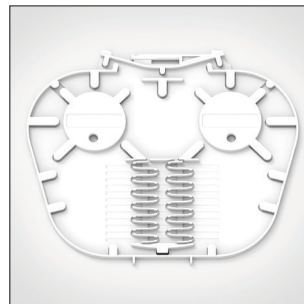
The Compact IR single circuit tray is suitable for use in the CFNIR closures.

Technical Data

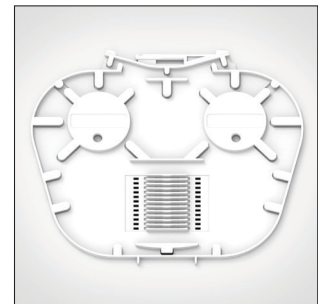
| | | | |
|--------------------------------|--|-----|-----|
| Dimensions (mm) | H | W | D |
| | 150 | 134 | 3.5 |
| Material | ABS | | |
| Splice Protector Type | 3A or ANT | | |
| Tray Pack Quantity | 6 | | |
| Maximum Splice Capacity | 12 | | |
| Colours | <ul style="list-style-type: none"> • Black • White • Green • Yellow • Red • Blue | | |



TRAY-SC-B-CFNIR-3A Splice Trays in variety of colours with moulded splice fins.



TRAY-SC-B-CFNIR-3A Splice Trays with 12 x 3A Moulded splice fins.

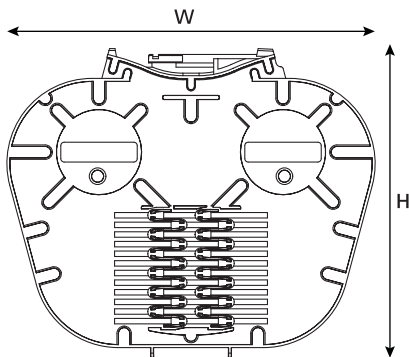


TRAY-SC-B-CFNIR-ANT Splice Trays with 12 x ANT Moulded splice fins.

Features and Benefits

- Positive fibre management - minimum bend radius 15mm
- 2 fibre entry ports
- Moulded splice holder fins splice protectors
- Maximum splice capacity of 12 fibres

Technical Diagrams



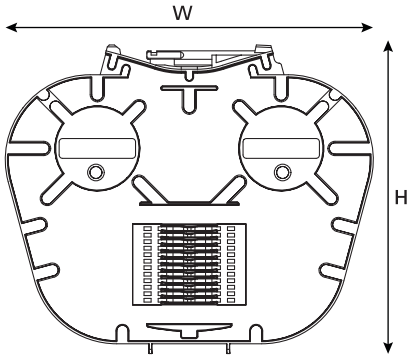
TRAY-SC-B-CFNIR-3A Splice Tray (front view)



TRAY-SC-B-CFNIR-3A Splice Tray (side view)



TRAY-SC-B-CFNIR-3A Splice Tray (top view)



TRAY-SC-B-CFNIR-ANT
Splice Tray (front view)



TRAY-SC-B-CFNIR-ANT
Splice Tray (side view)



TRAY-SC-B-CFNIR-ANT
Splice Tray (top view)