



CFNIR Fibre Optic Splice Tray

Compact IR SE

Application/Product Description

The Compact Integrated Routing (IR) single element tray is manufactured from ABS and finished to a high specification to eliminate the risk of snagging or microbends. All retaining tabs on the tray have radius edges and rounded corners where fibre may pass.

The overall dimensions of the tray are 150 x 134 x 7mm.

The single element tray accepts a wide range of splice protector holders which are positioned at the front of the tray for ease of measurement and installation. The maximum splice capacity of the tray is based on 24 double stacked 3A splice protectors upto 60mm long.

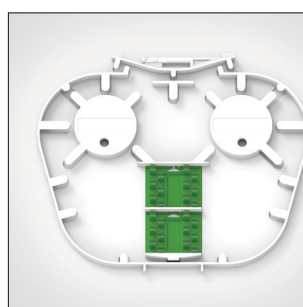
The Compact IR single element tray is suitable for use in the CFNIR closures.

Technical Data

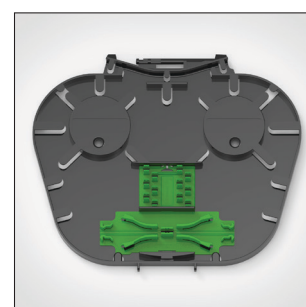
Dimensions (mm)	H	W	D
	150	134	7
Material	ABS		
Tray Pack Quantity	3		
Maximum Splice Capacity	24 (double stacked)		
Colours	<ul style="list-style-type: none"> • Black • White • Green • Yellow • Red • Blue 		



TRAY-SE-CFNIR Splice Trays in variety of colours without splice/splitter inserts.



TRAY-SE-CFNIR with 3A Bridges.



TRAY-SE-CFNIR with 3A Splice and Splitter Bridges.

Features and Benefits

- Positive fibre management - minimum bend radius 15mm
- 2 fibre entry ports
- 2 mounting positions for splice protector holders
- Maximum splice capacity of 24 fibres (double stacked)
- Optical splitter accommodation upto 60 x 7 x 4mm

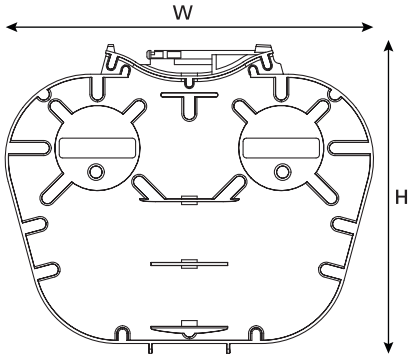
Splice / Splitter Bridge Compatibility

	TYPE	Description	Splice Protector Type	Colour	Recov. Ø d max.
	BRIDGE-3A	Splice Protector Holder	3A	Green	2.4
	BRIDGE-6A		6A	Blue	1.6
	BRIDGE-CRIMP		ANT	Yellow	-
	BRIDGE-MECH		RIBBON	Red	4.75
	BRIDGE-PLC-4WAY	Splitter Holder	N/A	White	N/A
	BRIDGE-SP/3A	Splitter/Splice Protector Holder	3A	Green	2.4
	BRIDGE-SP/ANT		ANT	Yellow	-
	BRIDGE-3A/SP64-10		3A	Green	2.4
	BRIDGE-ANT/SP64-10		ANT	Yellow	-
	BRIDGE-RIBBON-4WAY	Ribbon Splice Protector Holder	RIBBON	Green	4.5 x 3.8

All dimensions in mm. Subject to technical changes.



Technical Diagrams



*TRAY-SE-CFNIR Splice
Tray (front view)*



*TRAY-SE-CFNIR
Splice Tray
(side view)*



*STRAY-SE-CFNIR Splice
Tray (top view)*