

HTC Series Euro Module

Category 6 UTP 50x25mm Work Area Outlet

Application/Product Description

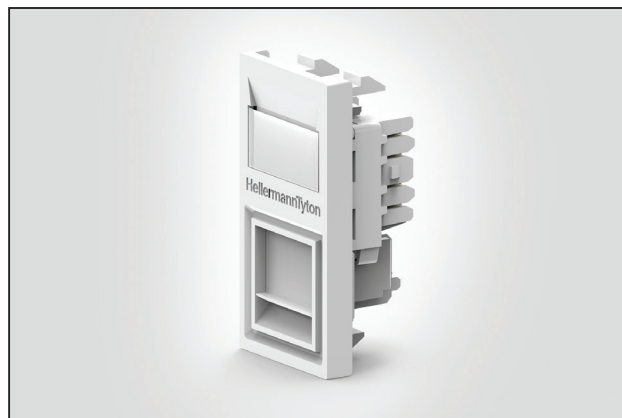
The HTC Series Category 6 unshielded Euro module is designed to support Ethernet 10BASE-T, 100BASE-T (Fast Ethernet), 1000BASE-T (Gigabit Ethernet), 155 Mb/s ATM, Token Ring 4/16, voice/data systems and Voice over Internet Protocol (VoIP) systems running over a Category 6 cabling system and is backwards compatible with legacy Category 5e, Category 5 and voice network infrastructures.

Features and Benefits:

- Category 6 component compliant
- Euro 50x25mm footprint
- Made from ABS + PC
- Available in White
- Compatible with HTC Series euro faceplates
- Includes mini-zip ties and instructions
- Plastic free packaging
- Bulk packed reduce carbon footprint

Technical Data

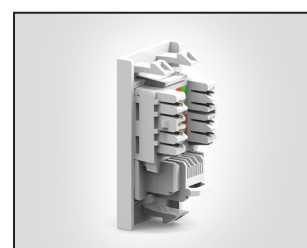
Style	Euro		
Dimensions (mm)	H	W	D
	50	25	18
Compatible Products	HTC Series Euro Faceplates		
Material	ABS + PC		
Weight (g)	18		
Box Quantity	50 pcs		
Available Colours	White		
Item Code	HTC-C6U-EM50/WH		



HTC Series Euro Module



HTC Series 6C Module (front view).

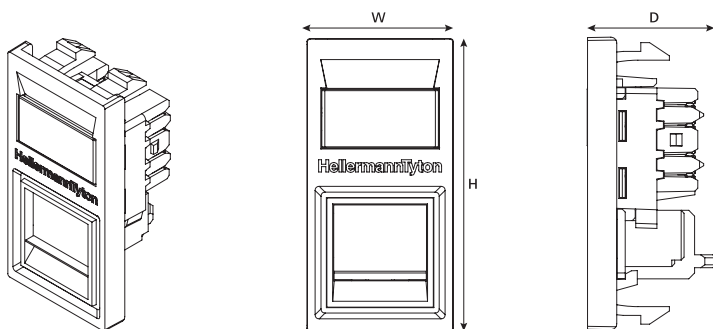


HTC Series 6C Module (rear view).

Technical Features:

- Conforms to ISO 11801:2002, BS EN 50173, ANSITIA/EIA 568-C.2
- Compatible for both 568A / B Wiring configurations
- Minimum insertions 750
- Minimum 200 re-terminations
- Accepts 22-24 AWG conductors

Technical Diagrams



HTC Series Euro Module

Front view

Side view