

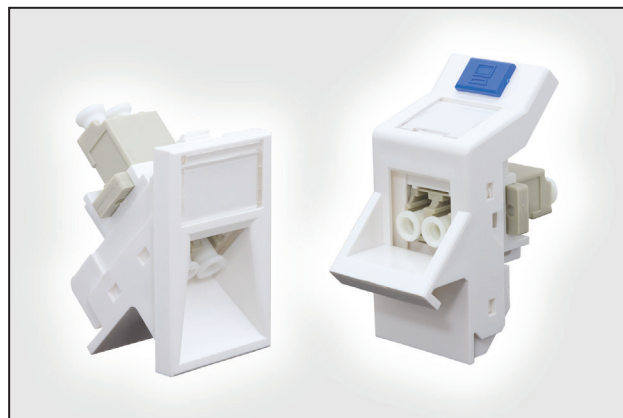
HTC Series Work Area Fibre Modules

LC DX - SC SX - Euro - LJ6C

Application/Product Description

The HTC Series Fibre Modules are designed for Fibre to the Desk (FTTD) applications and are available in industry standard Euro 50x25mm or LJ6C 38.5x25mm footprints. The modules are produced from the same HTC Series Keystone jack modules in order to offer consistent aesthetics when installed. The fibre modules are without shutter and come pre-loaded with the fibre adaptor. All fibre adaptors are transported with dust caps.

The Euro fibre module is compatible with the HTC-Series faceplates. The LJ6C Fibre module is compatible with HTC Series 6C faceplates and the HellermannTyton POD.





HTC Series Work Area Fibre Modules

Features and Benefits:

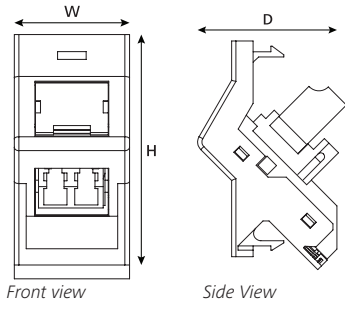
- Available in Euro 50x25mm
- Available in LJ6C 38.5x25mm
- Available pre-loaded with Fibre Adaptors
- LC duplex, SC Simplex in multimode or singlemode
- Fibre Adaptors include dust caps
- Identification / label area
- Consistent design with HTC Series Keystone Modules
- Compatible with HTC Series mounting hardware
- Made from ABS
- Plastic free packaging
- Bulk packed to reduce carbon footprint

Technical Data

Style	EURO			LJ6C			
							
Dimensions (mm)	H	W	D	H	W	D	
	50	25	32	38.5	25	30	
Compatible Hardware	HTC Series Euro Faceplates			HTC Series 6C Faceplates			
				HellermannTyton POD			
Materials	ABS						
Weight (g)	15			10			
Box Quantity	50pcs						
Available Colours	White						
Item Code	LC MM	HTC-LCM-EMA50/WH			HTC-LCM-6CA50/WH		
	LC SM	HTC-LCS-EMA50/WH			HTC-LCS-6CA50/WH		
	LC APC	HTC-LPS-EMA50/WH			HTC-LPS-6CA50/WH		
	SC MM	HTC-SCM-EMA50/WH			HTC-SCM-6CA50/WH		
	SC SM	HTC-SCS-EMA50/WH			HTC-SCS-6CA50/WH		
	SC APC	HTC-SPS-EMA50/WH			HTC-SPS-6CA50/WH		

Technical Diagrams

Euro Module



LJ6C Module

