

### Category 6 U/UTP 23AWG Unshielded Cable Dca

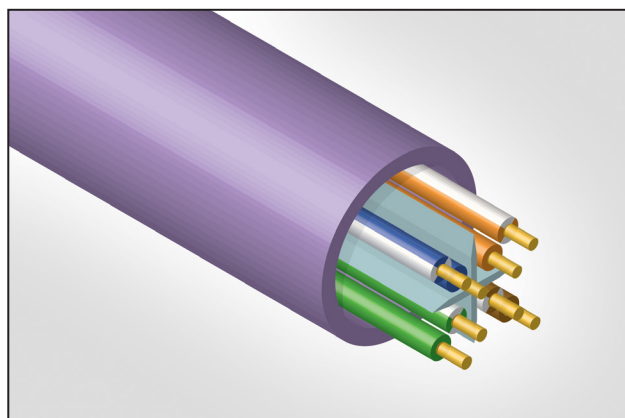
#### Bulk Copper Cable - CA076DCA

#### Application/Product Description

HellermannTyton Category 6 cables are designed and tested to support Primary (Campus), Secondary (Riser) and Tertiary (Horizontal) applications for 10Base-T (Ethernet), 100Base-T(Fast Ethernet), 1000Base-T(Gigabit Ethernet), PoE and PoE+.

When used with HellermannTyton Category 6 patch panels, outlets and patch leads the combined performance exceeds Category 6/Class E link and channel requirements.

The cable is supplied in 305m lengths with 1 metre markings on the cable supplied in a box.



CA076DCA - Category 6 LS0H Unshielded Cable - Dca

#### Technical Data

Electrical Characteristics @ 20°C	Specification
DC Loop Resistance	≤176Ω/km
Resistance Unbalance	≤2%
Insulation Resistance (500V)	5000MQxkm
Capacitance at 800Hz	Nom. 48nF/km
Capacitance Unbalance (pair to ground)	≤1500pF/km
Characteristic Impedance (1-100MHz)	(100 ± 15)Ω
Nominal Velocity of Propagation	Approx. 66%
Propagation Delay	Nom. ≤535ns/100m
Delay Skew	Nom. ≤20ns/100m
Test Voltage (DC, 1 min) Core/Core	1000V

#### Cable Standards

##### Cable

- BS EN 50173
- ISO 11801:2002 (inc. Amend. A1 & A2)
- ANSI/TIA/EIA 568-C.2
- IEC 61156-5
- BS EN 50288-10-1
- CE & UKCA Approved

##### Cable Sheath

- IEC 60332-3-24
- EN 13501-6 (Dca)

##### CPR

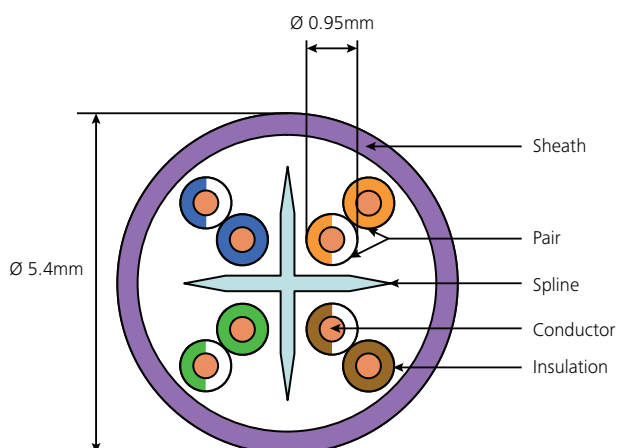
- Dca, S2, d2, a1
- Certificate No.: HTC DOP-0003 / HTC DOP-0003-UKCA
- Suitable for Dca and Eca specified installations

#### Performance Characteristics

Frequency (MHz)		1	100	250
Insertion Loss (dB/100m)	Max	2.1	19.9	33.0
	Nominal	1.9	19.1	32.0
NEXT (dB)	Max	74.0	44.0	38.0
	Nominal	78.0	48.0	42.0
PS-NEXT (dB)	Max	72.0	42.0	36.0
	Nominal	75.0	45.0	39.0
ACR-F (dB/100m)	Max	72.0	24.1	5.0
	Nominal	76.1	28.9	10.0
PS ACR-F (dB/100m)	Max	70.0	22.1	2.0
	Nominal	73.1	25.9	7.0
Return Loss (dB)	Max	20.0	20.1	17.3
	Nominal	22.0	23.0	19.0

\*Typical values are for permanent link tests when using the complete HellermannTyton Data System.

## Cable Construction



Product Performance	
<b>Core</b>	
Core Conductor	23 AWG Solid Copper Wire
Insulation	Polyethylene
Diameter	0.95mm nominal
Twisting	2 cores to the pair
Pair Colour	Blue-White/Blue, Orange-White/Orange, Green-White/Green, Brown-White/Brown
<b>Final Assembly</b>	
Cable	4 pairs to the core
Sheath	LSHF-FR Dca-S2, d2, a2
Colour	Violet RAL 4001
Outer Diameter	5.4mm nominal
<b>Mechanical and Environmental</b>	
Temp. Installation	0°C to +50°C
Temp. Operation	-20°C to +60°C
Min. Bend Radius	
	During Installation: 8 x outer diameter
	During Operation: 4 x outer diameter
Max. Tensile Force	
	During Installation: 100N
Packaged Weight	12.3kg 305m Box