

### Category 6 U/UTP Solid Core

**RJ45NGB-xx.xM-S-LS/VI – EuroClass Cca and Dca**

#### Application/Product Description

Category 6 Solid Core patch leads are high-performance Ethernet cables used for connecting network devices. They feature a solid copper core which provides better electrical conductivity compared to stranded cables, making them ideal for high-speed network installations.

The Cat6 specification provides bandwidth up to 250 MHz and supports data transfer rates of up to 1 Gbps. The solid core construction makes them durable and long-lasting, suitable for both permanent and temporary installations. Cat6 Solid Core patch leads are an ideal choice for enterprise, education and other demanding network applications.

HellermannTyton Connectivity's solid core leads are made to order in our Northampton factory. They can be produced to your specified length using our UKCA / CE approved U/UTP cable in either Cca or Dca EuroClass cable.

These cables form part of our 25 year system performance warranty when installed and tested as part of a HellermannTyton Category 6A system by an approved Installation partner.

#### Features and Benefits

- Exceeds Category 6 performance
- Uncompromised support of 1G Ethernet
- Made to Order in our Northampton Factory
- Lengths to your specification
- Supported by UKCA / CE and ETL listed cable
- Cca or Dca cable variants
- U/UTP Shielded Construction



Category 6 U/UTP Solid Core Patch Leads.

#### Applicable Standards

- BS EN 50173
- ISO 11801:2002 (inc. Amend. A1 & A2)
- ANSI/TIA/EIA 568-C.2
- IEC 61156-5
- BS EN 50288-10-1
- IEC 60332-1 & 60332-3-24
- IEC 60754-2
- IEC 61034
- EN 13501-6

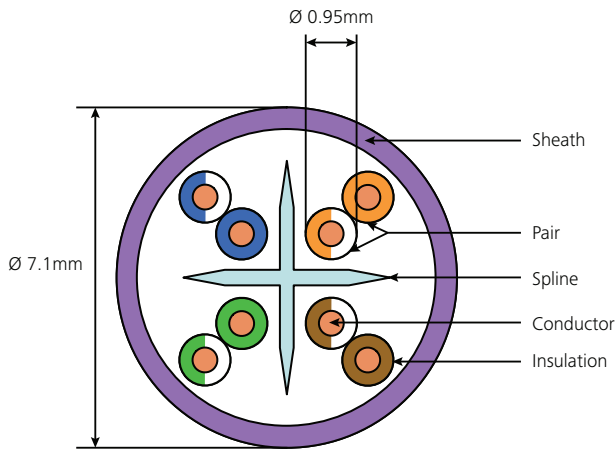


#### Performance Characteristics

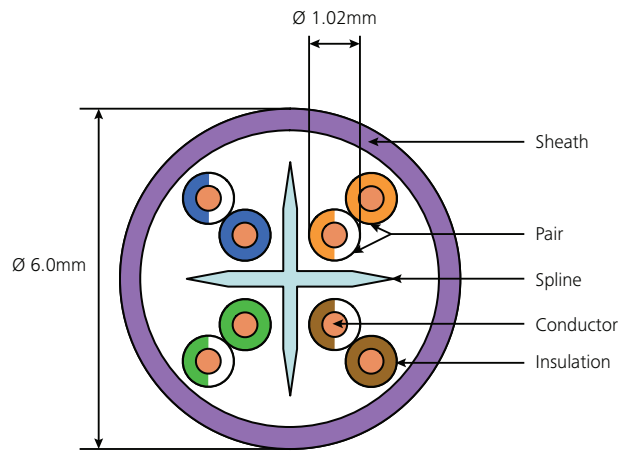
Frequency (MHz)		1	100	250
NEXT (dB)	Spec	74.0	44.0	38.0
	Typical	78.0	48.0	42.0
Return Loss (dB)	Spec	20.0	20.1	17.3
	Typical	22.0	23.0	19.0

\*Typical values based on a 2m patch lead.

**Cable Construction**



*Cca Cable Construction*



*Dca Cable Construction*

Characteristics	Specification
AWG	24
Outer Diameter	7.1mm (Cca) / 6.0mm (Dca)
NVP (Nominal Velocity of Propagation)	66%
Temp. Installation	0°C to +50°C
Temp. Operation	-20°C to +60°C
Min. Bend Radius - Installation	8 x OD
Min. Bend Radius - Operation	4 x OD
Length Tolerance	+/- 2%
Approximate weight (metre)	0.05kg P/M