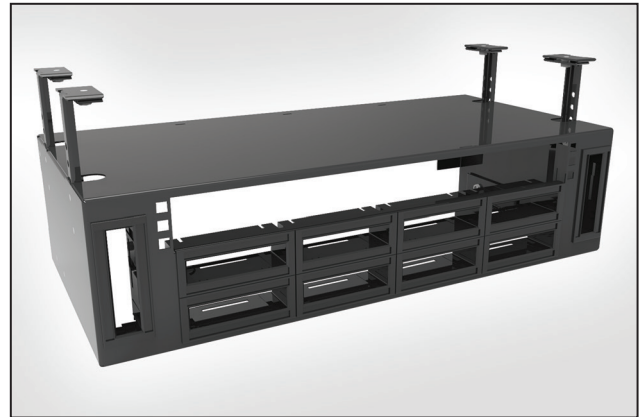


Out of Rack Enclosure

3U Cable Management




Application/Product Description

The Out of Rack has been designed to house the majority of network patching and connectivity above the rack or cabinet allowing the space within the cabinet to hold more active equipment.



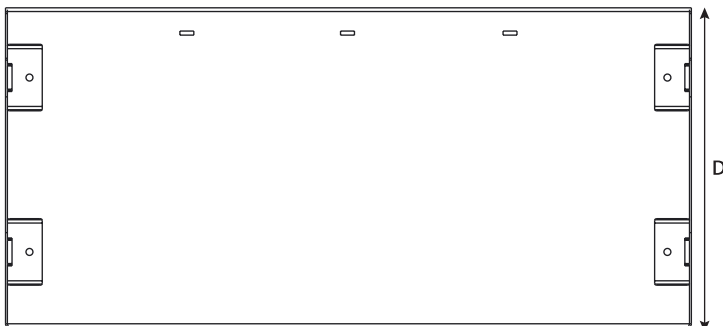
Out of Rack 1U Space and 2U RapidNet

Technical Data

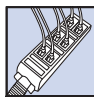
Style	RNAORC1			RNAORC2			RNAORC3		
									
Dimensions (mm)	H	W	D	H	W	D	H	W	D
	225.0	590.0	278.0	225.0	590.0	278.0	225.0	590.0	278.0
Number of U									
RapidNet Space*	3			2			0		
Free Space	0			1			3		
Zero U Space	2			2			2		
Weight (kg)	4.2			4.2			3.8		
Materials	Mild Steel, Black Powder Coated								

*RapidNet 6 Port UTP Copper or any Fibre Cassette

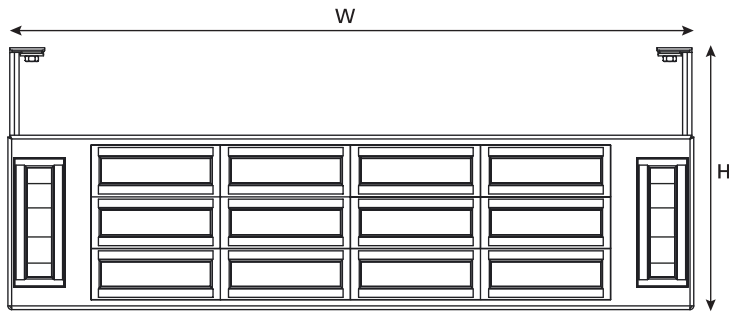
Technical Diagrams



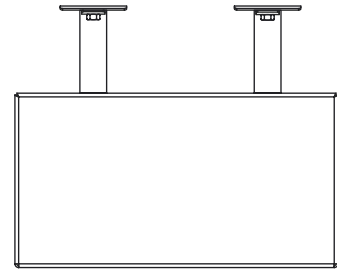
Top view



3U RapidNet

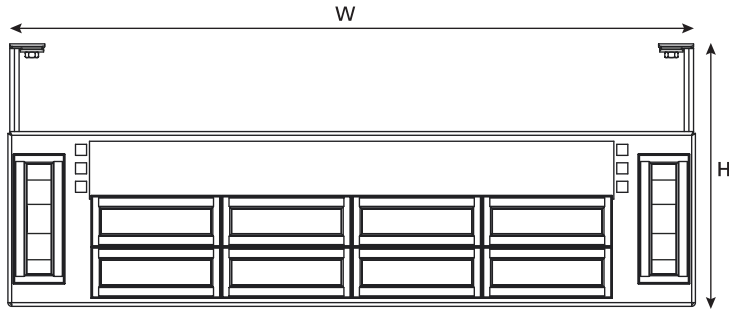


Front view

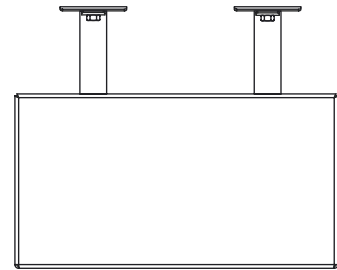


Side view

2U RapidNet, 1U Rackspace

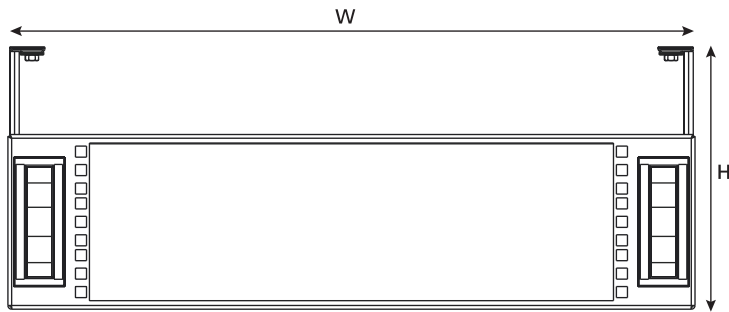


Front view

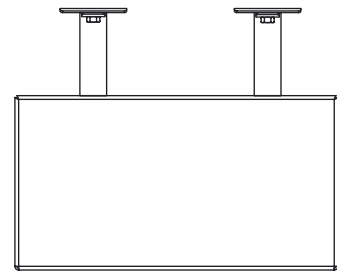


Side view

3U Rackspace



Front view



Side view