



Compact Fibre Node (CFN)

19 and 27 Port

Technical Description

The CFN fibre splice closure range offers a closure for a wide range of FTTx applications for both P2P and P2MP topologies.

The CFN 19 and 27 Port Integrated Routing (IR) closures are supplied with a UV stable Polypropylene base. With base configurations of either 26 round ports and 1 oval port or 18 round ports and 1 oval port, the CFN accommodates a cable diameter range of 1.7 - 20.0mm when using mechanical cablelok seals.

The IR Fibre Management System (FMS) accommodates a maximum of 12 compact SE single element splice trays in the M length closure and 6 in the S length closure. The trays can be fitted with a range of fibre splice bridges including 3A, ANT or Ribbon Fibre.

The position of the FMS allows unrestricted access to the cable entry ports, each of which has the option of integrated cable anchoring. The loop storage basket is situated directly above the oval cable port enabling efficient routing to it and the fibre splice trays via the modular IR FMS. The splice trays and the fibre optic routing modules are white in colour making it easy to clearly identify the individual fibre colours as they are routed through the positive fibre management system.

The fibre entry block has dedicated PLC splitter accommodation for a maximum of 2 x 250µm bare end PLC splitters and fibre management for fibre direction changes and storage of excess fibre. Fibre slot retaining blocks guide the fibre elements in to the IR system, the foam pad on the retainer is partially cut through to accommodate a range of fibre counts.

All IR system cover parts are coloured blue identifying them as removable parts allowing access to the fibre. The fibre slot retaining clips are coloured red to aid in identification if they are dropped.

Features and benefits

- Maximum splice capacity
 - Medium - SE-IR 288 3A splices
 - Small - SE-IR 144 3A splices
- 26 or 18 round ports and 1 oval port
- Positive fibre management to ensure consistent 30mm bend radii throughout
- Fibre storage basket for loop through applications
- Bi-directional routing
- Medium closure accommodates 12 CFN SE-IR or 24 SC-B trays
- Off tray PLC splitter accommodation
- Cablelok compatible for all port sizes
- Quick Release cover
- Integrated closure mounting points for MOBRA, pole and facade fixing
- Optional pressure release valve/cable location/toning point
- Available with either 3A/ANT or Ribbon Fibre splice bridges



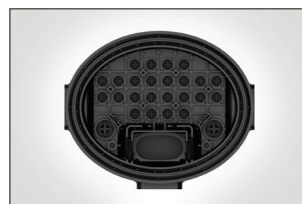
CFN 19 Port M-Length Closure with basket and trays up.



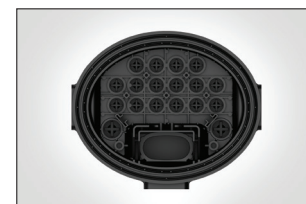
CFN 27 Port S-Length Closure with basket.



CFN 19 Port M-Length Closure with lid.



View of 27 Port Base.



View of 19 Port Base.



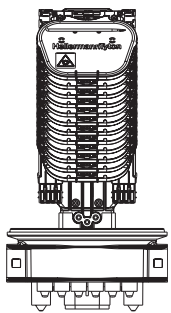
View of Integrated Closure Mounting Points.



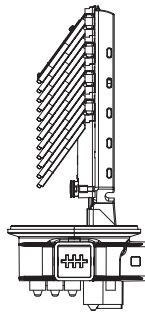
TYPE	Description	Width D1	Width D2	Length L	Port Count	Tray Type	Tray Qty	Splice Protector Type	Basket Size	Article No.			
CFNIRS-SXBBSX	CFN, R PORT BASE, S LGTH, 6 SE-IR ANT TRYS, BSKT, FEB	250	180	335	27	Compact SE	6	3A	Small	857-02776			
CFNIRS-SXBBWX	CFN, R PORT BASE, S LGTH, 6 SE-IR 3A TRY, BSKT, FEB									857-02142			
CFNIRS-SXBDSX	CFN, D PORT BASE, S LGTH, 6 SE-IR ANT TRYS, BSKT, FEB				19			ANT		857-02778			
CFNIRS-SXBDWX	CFN, D PORT BASE, S LGTH, 6 SE-IR 3A TRY, BSKT, FEB									857-02141			
CFNIRS-SXBBXS	CFN, R PORT BASE, S LGTH, 12 SC-B ANT TRYS, BSKT, FEB				27			3A		857-02777			
CFNIRS-SXBBXW	CFN, R PORT BASE, S LGTH, 12 SC-B TRY, BSKT, FEB									857-02521			
CFNIRS-SXBDXS	CFN, D PORT BASE, S LGTH, 12 SC-B ANT TRYS, BSKT, FEB			19	ANT	857-02779							
CFNIRS-SXBDXW	CFN, D PORT BASE, S LGTH, 12 SC-B TRY, BSKT, FEB					857-02519							
CFNIRS-MXBBBSX	CFN, R PORT BASE, M LGTH, 12 SE-IR ANT TRYS, BSKT, FEB			410	180	410	27	Compact SE		12	3A	Medium	857-02524
CFNIRS-MXBBWX	CFN, R PORT BASE, M LGTH, 12 SE-IR 3A TRY, BSKT, FEB												857-02144
CFNIRS-MXBDSX	CFN, D PORT BASE, M LGTH, 12 SE-IR ANT TRYS, BSKT, FEB						19				ANT		857-02583
CFNIRS-MXBDWX	CFN, D PORT BASE, M LGTH, 12 SE-IR 3A TRY, BSKT, FEB												857-02143
CFNIRS-MXBBXS	CFN, R PORT BASE, M LGTH, 24 SC-B ANT TRYS, BSKT, FEB						27				3A		857-02523
CFNIRS-MXBBXW	CFN, R PORT BASE, M LGTH, 24 SC-B TRY, BSKT, FEB												857-02527
CFNIRS-MXBDXS	CFN, D PORT BASE, M LGTH, 24 SC-B ANT TRYS, BSKT, FEB					19	ANT	857-02517					
CFNIRS-MXBDXW	CFN, D PORT BASE, M LGTH, 24 SC-B TRY, BASKET, FOAM ENTRY BL							857-02525					

Technical Diagrams

CFN Medium Length Closure

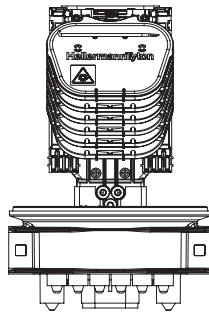


Front view of Medium Length CFN Closure with SE-IR Trays

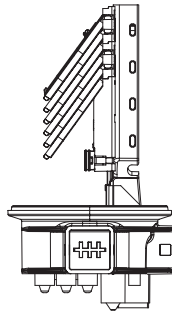


Side view of Medium Length CFN Closure with SE-IR Trays

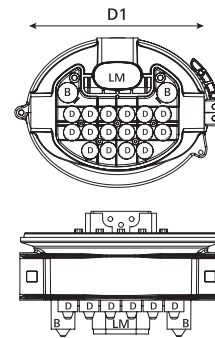
CFN Small Length Closure



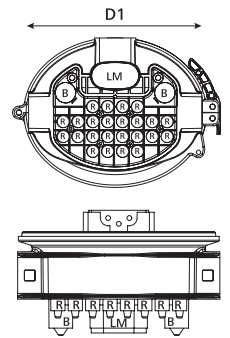
Front view of Small Length CFN Closure with SE-IR Trays



Side view of Small Length CFN Closure with SE-IR Trays



19 Base Port Diagram



27 Base Port Diagram

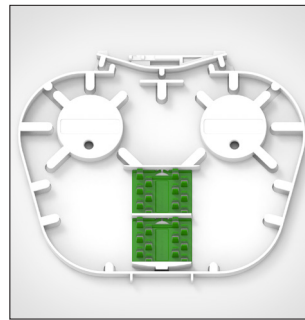


Compact SE-IR Trays

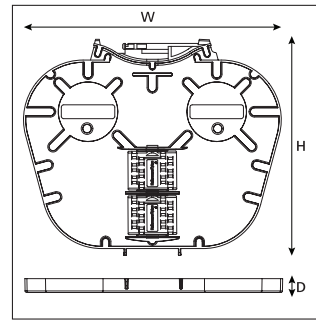
The Integrated Routing (IR) single element tray is manufactured from ABS and finished to a high specification to eliminate the risk of snagging or microbends. All retaining tabs on the tray have radius edges and rounded corners where fibre may pass. The overall dimensions of the tray are 30 x 109 x 7mm (W x H x D). The IR single element tray accepts a wide range of splice protector inserts and the maximum splice capacity of the tray is based on 24 double stacked heatshrink (3A) splice protectors up to 60mm long.

Features and Benefits:

- Positive fibre management - minimum bend radius 30mm
- 2 fibre entry ports
- 2 mounting positions for splice inserts
- Maximum splice capacity of 24 fibres
- Available with 3A, ANT or Ribbon Fibre splice bridges



Compact SE-IR Trays



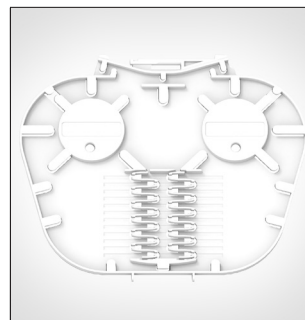
Technical diagram for SE-IR

Compact SC-IR Trays

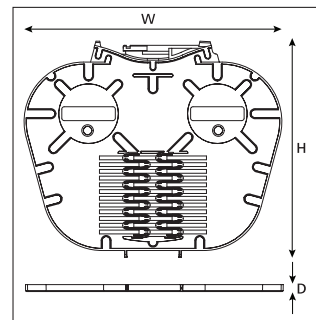
The Integrated Routing (IR) single circuit tray is manufactured from ABS and finished to a high specification to eliminate the risk of snagging or microbends. All retaining tabs on the tray have radius edges and rounded corners where fibre may pass. The overall dimensions of the tray are 30 x 109 x 3.5mm (W x H x D). The IR single circuit tray is available in a 3A or ANT splice version.

Features and Benefits:

- Positive fibre management - minimum bend radius 15mm
- 2 fibre entry ports
- 2 mounting positions for splice inserts
- Maximum splice capacity of 12 fibre
- Available with 3A or ANT moulded splice fins



Compact SC-B Trays



Technical diagram for SE-IR