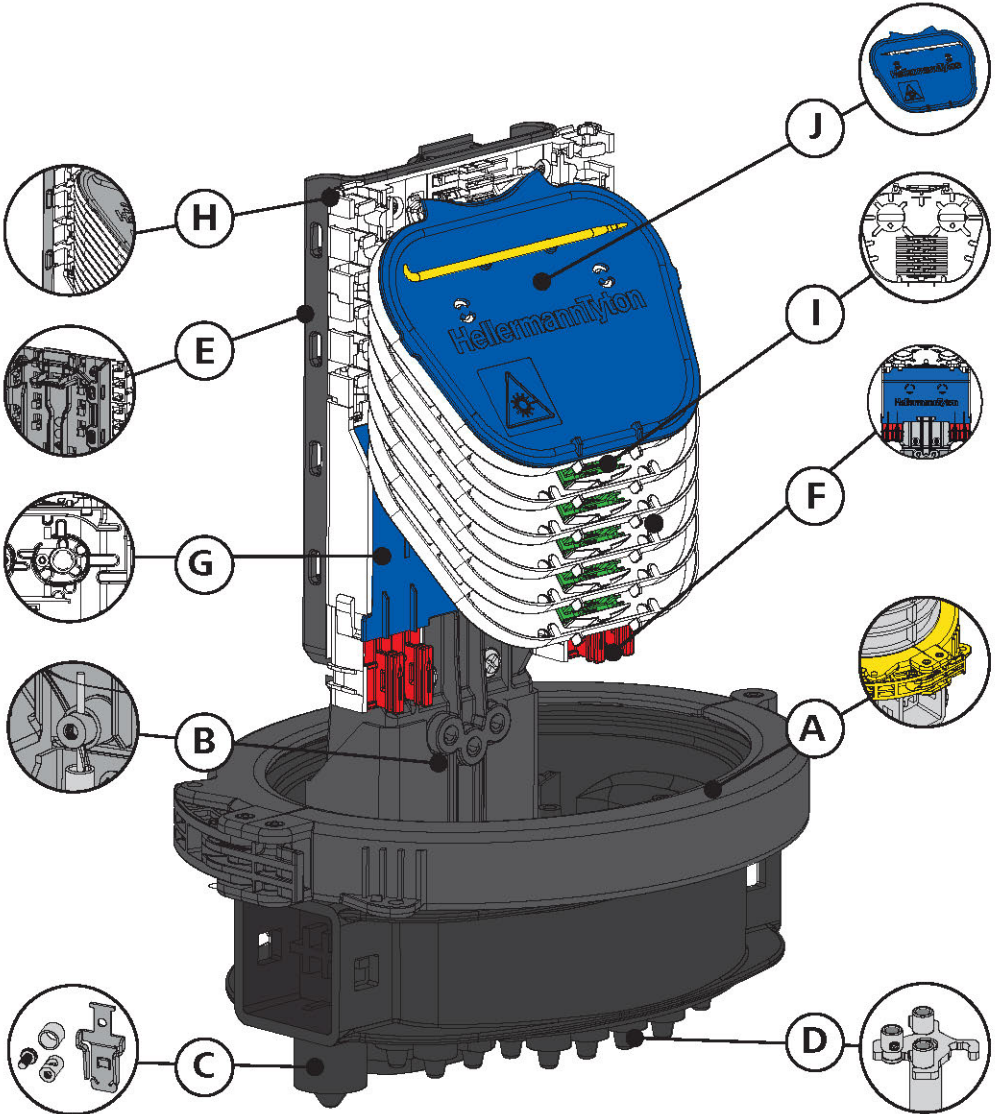


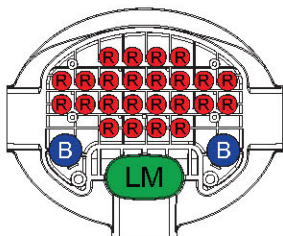
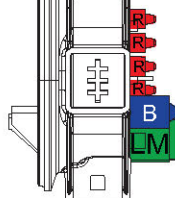


## COMPACT FIBRE NODE (CFN)





## R PORT BASE

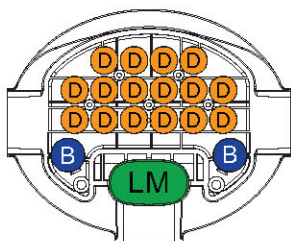
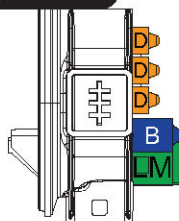


Port	Number of Ports	Cablelok		Heatshrink	
		Ø mm	Ø inches	Ø mm	Ø inches
LM	1	2x4.0 - 15.0	2x 0.16 - 0.59	2x 8.0 - 22.0	2x 0.32 - 0.87
B	2	4.8 - 16.5	0.19 - 0.65	6.0-19.0	0.24 - 0.75
R	24	1.7 - 9.5	0.07 - 0.37	-	-



Ø (mm)	Ø (Inches)	Cablelok
2 x 4.0 - 6.5	2 x 0.16 - 0.26	LM10C
2 x 6.0 - 9.5	2 x 0.24 - 0.37	LM20C
2 x 9.0 - 12.5	2 x 0.35 - 0.49	LM30C
2 x 12.5 - 15.0	2 x 0.49 - 0.59	LM40C

## D PORT BASE



Port	Number of Ports	Cablelok		Heatshrink	
		Ø mm	Ø inches	Ø mm	Ø inches
LM	1	2x4.0 - 15.0	2x 0.16 - 0.59	2x 8.0 - 22.0	2x 0.32 - 0.87
B	2	4.8 - 16.5	0.19 - 0.65	6.0-19.0	0.24 - 0.75
D	16	10-12	0.39-0.47	-	-

Ø (mm)	Ø (Inches)	Cablelok
4.8 - 9.0	0.19 - 0.35	B10
8.0 - 14.0	0.32 - 0.55	B20
13.0 - 16.5	0.51 - 0.65	B30

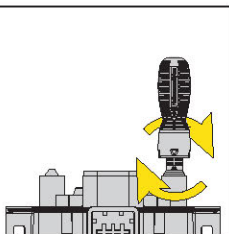
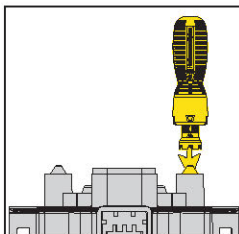
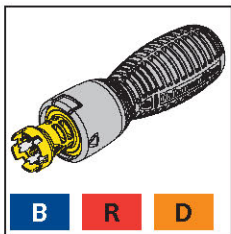
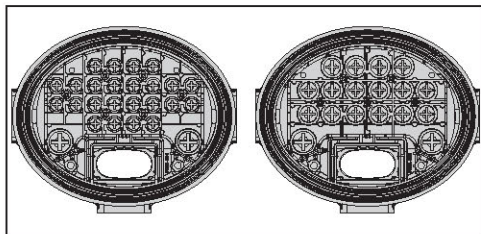
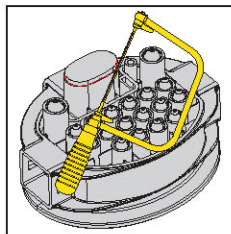
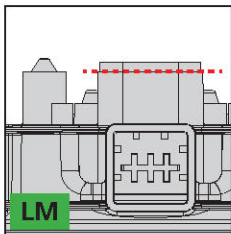
Ø (mm)	Ø (Inches)	Cablelok
1.7 - 2.0	0.07 - 0.079	R10
2 x 1.7 - 2.0	2 x 0.07 - 0.079	R10D
2.0 - 3.0	0.07 - 0.119	R15
3.0 - 3.8	0.119 - 0.15	R20
2 x 3.8 - 4.8	2 x 0.15 - 0.19	R30D
3.8 - 5.2	0.19 - 0.20	R40
5.2 - 8.0	0.20 - 0.32	R50
6.0 - 8.5	0.24 - 0.34	R70
8.0 - 9.5	0.32 - 0.37	R80

Ø (mm)	Ø (Inches)	Cablelok
10	0.39	D10
12	0.47	D20

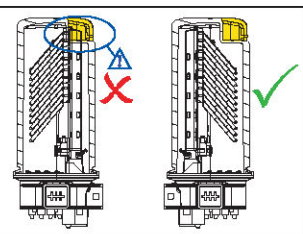
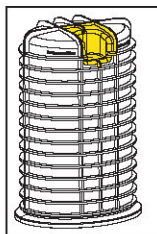
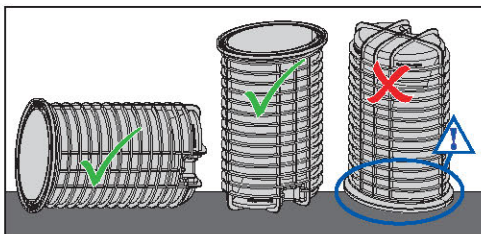
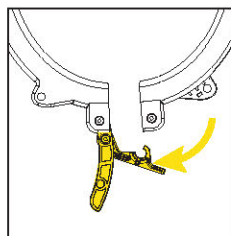
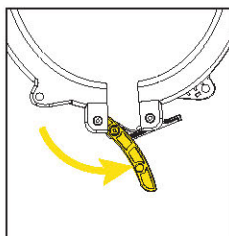
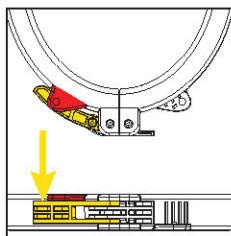
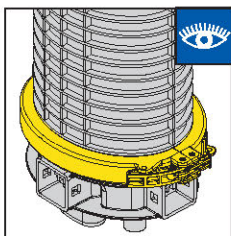
Port - port- Anschluß - Port - puerto - porto - porta - Port - Port - Port - Racord - port - poort

Number of Ports - Nombre de ports - Anzahl der Anschlüsse - Antal portar - Número de puertos - Número de portas - Numero di porte - Portok száma - Numar racorduri - Počet portů - Antall porter - Število portov - Aantal poorten

Heatshrink - Thermo rétractable - Wärmeschumpfschlauch - Krymslang - Termoretráctil - Termoretráteis - Termoresringente - Zsugorcso - Termocontractibil - Teplom smršťitelné hadice - krimpstrømpe - toploskrčiva cev - Krimpkous

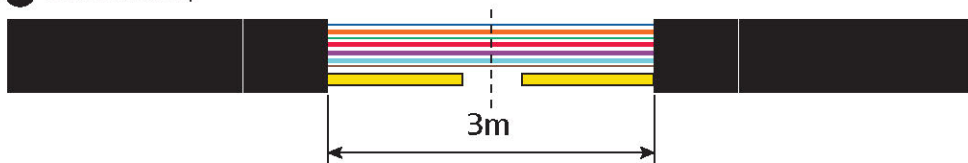


A

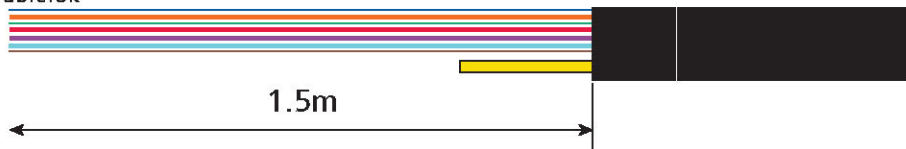




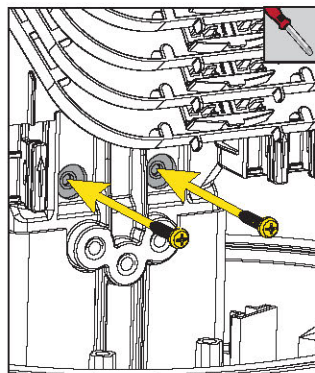
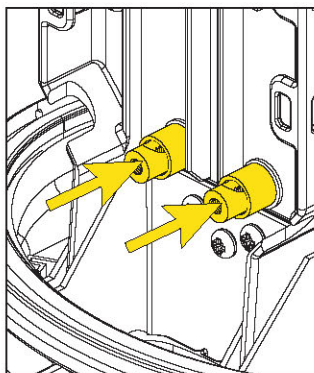
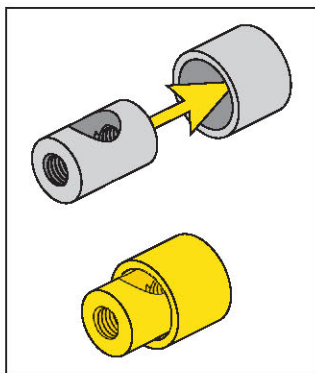
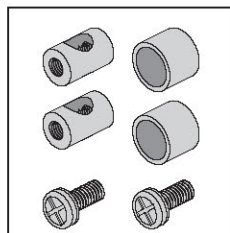
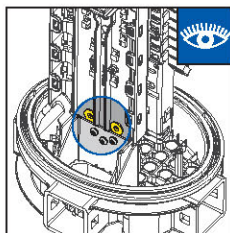
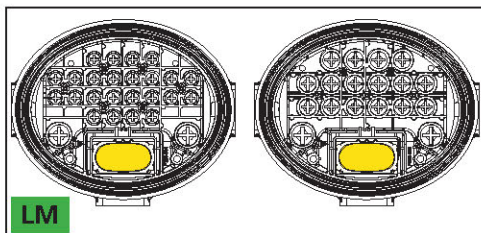
## 1 Cablelok Loop



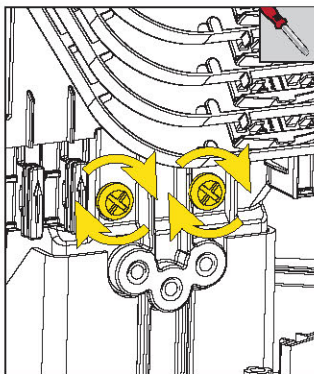
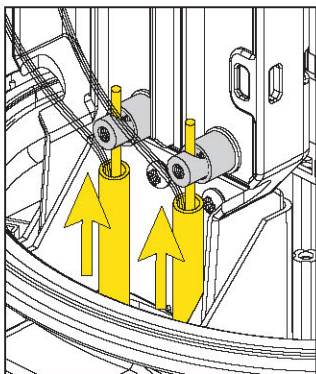
## 2 Cablelok



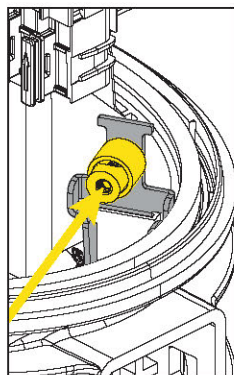
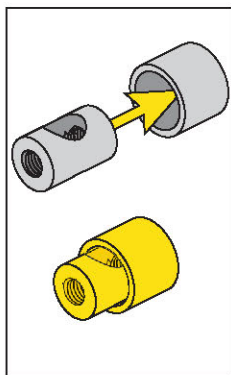
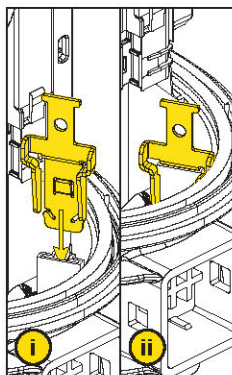
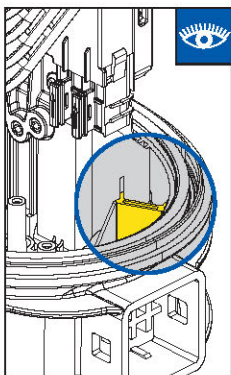
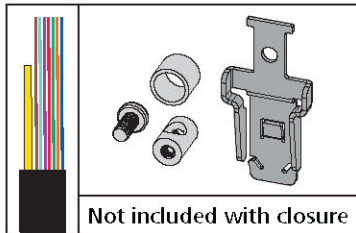
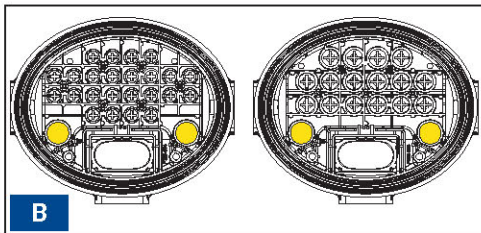
## B

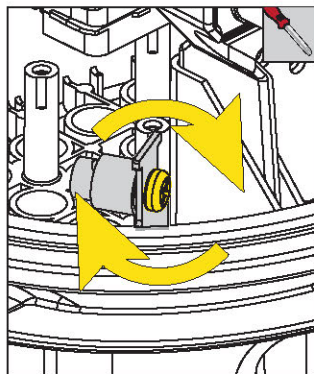
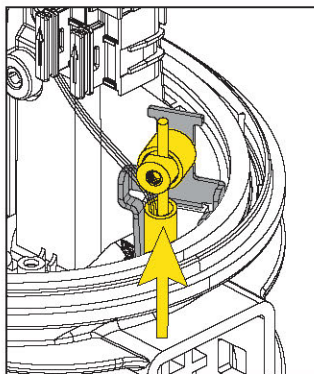
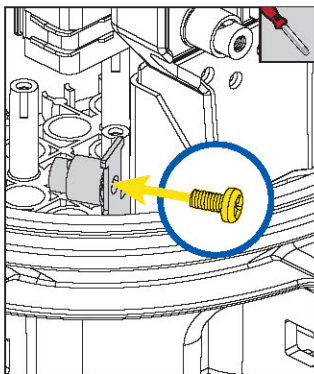


**B contd**

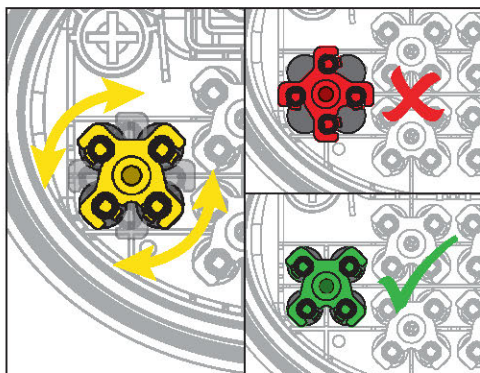
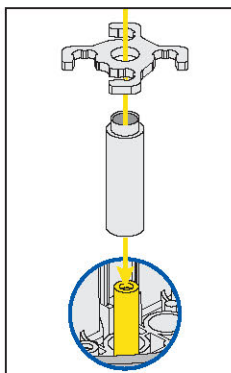
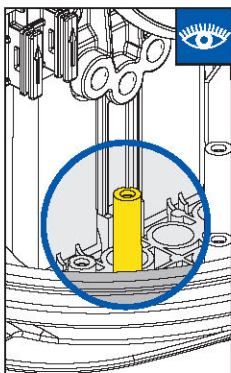
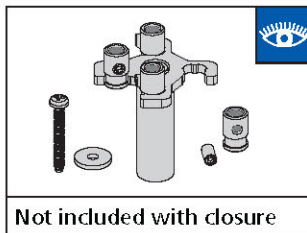
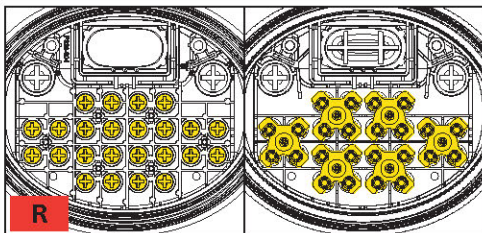


**C**

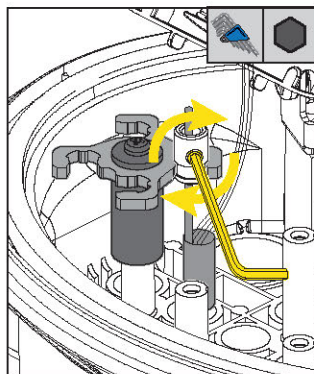
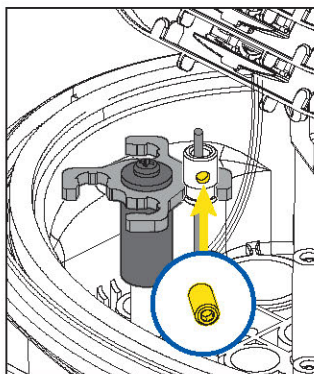
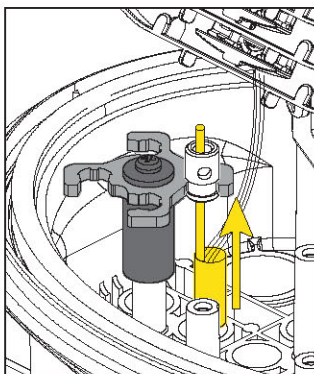
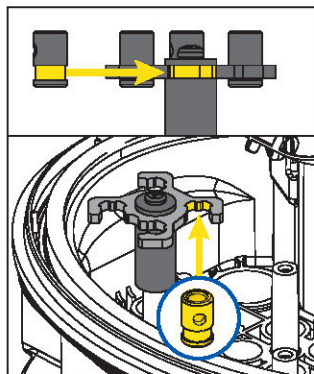
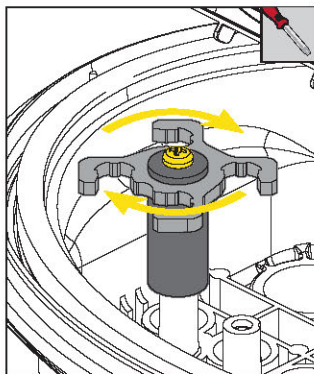
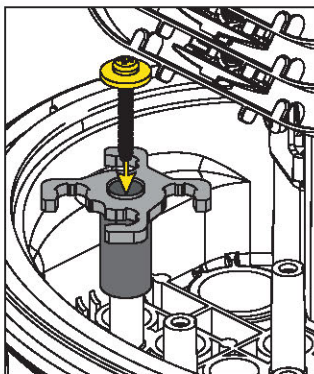




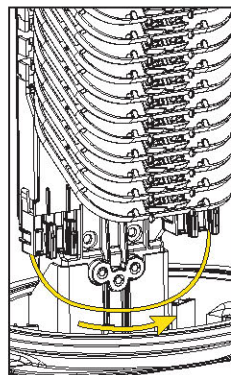
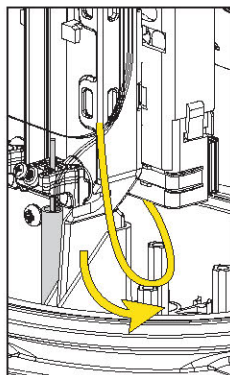
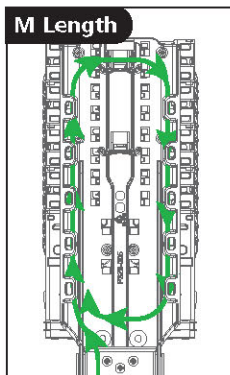
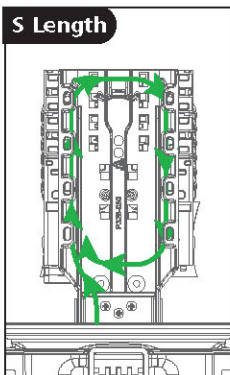
D

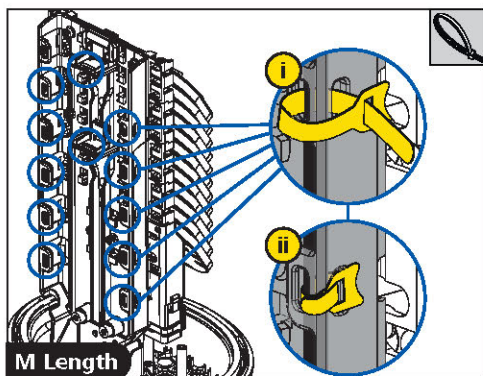
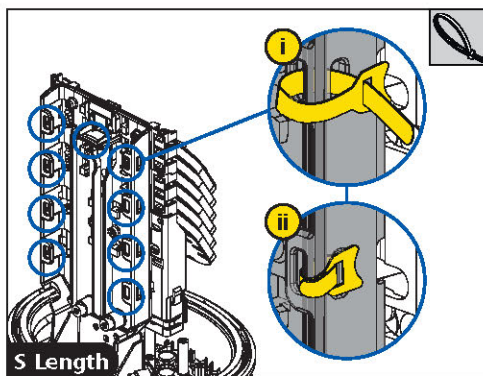


**D contd**

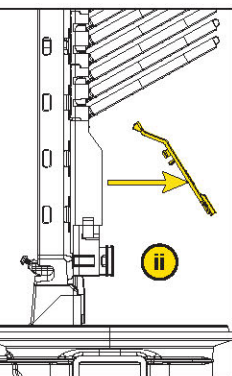
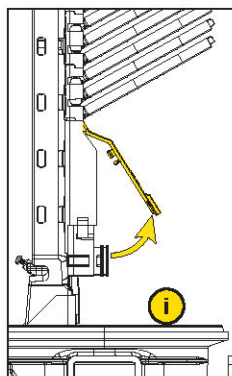
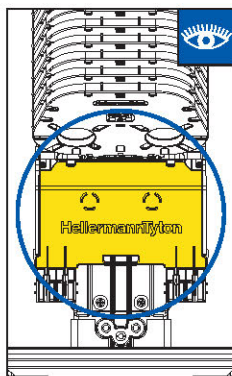
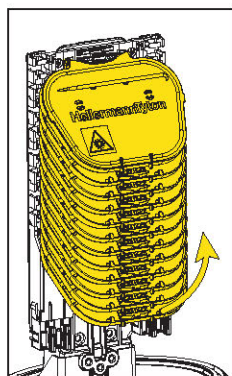
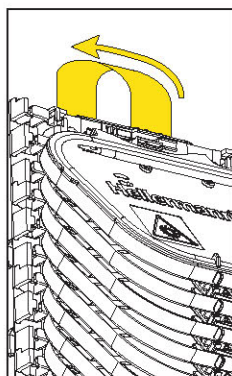
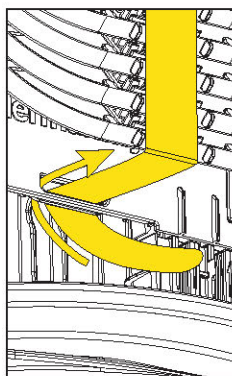
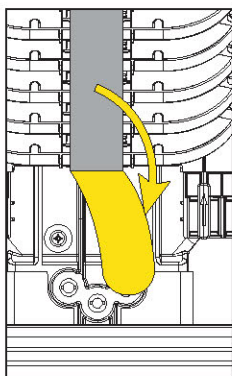


**E**

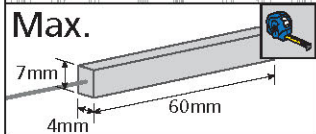
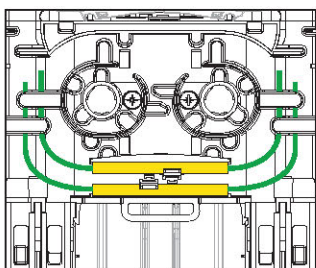
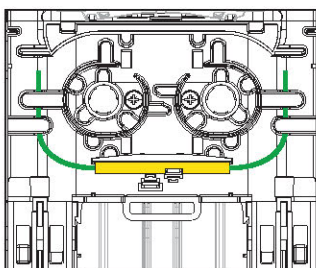
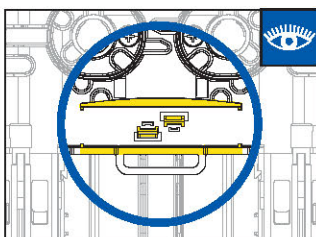
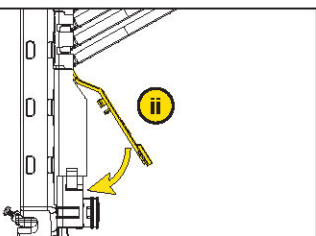
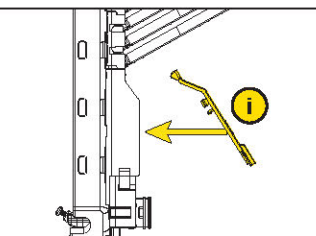
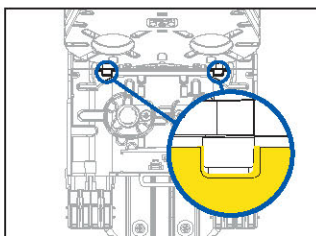
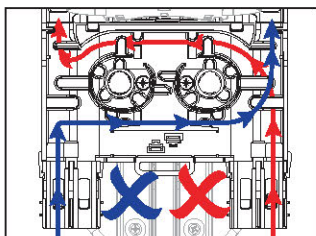
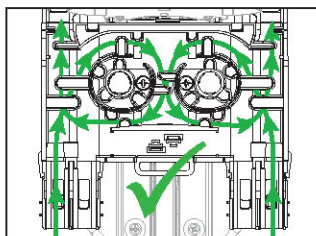
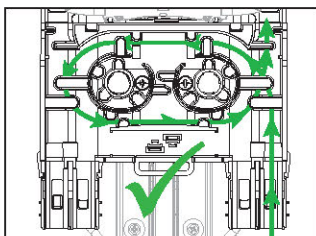
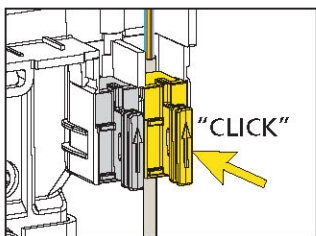
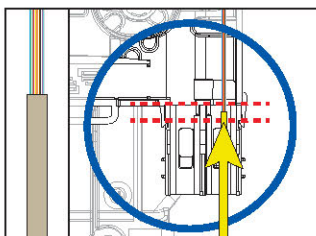
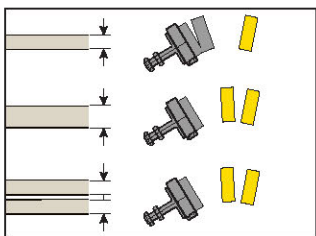
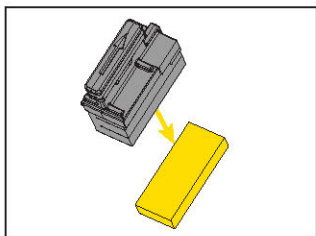
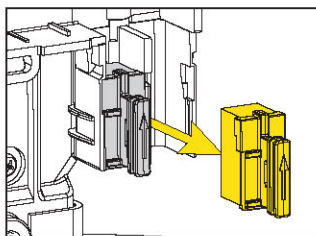
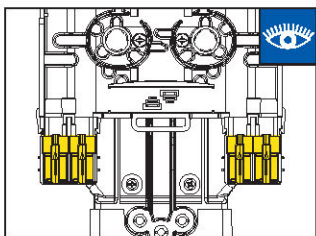


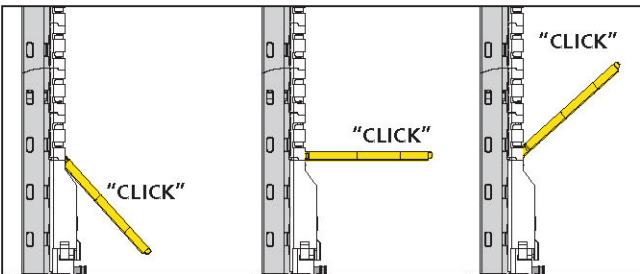
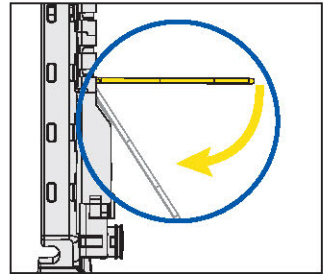
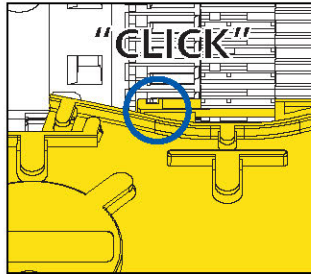
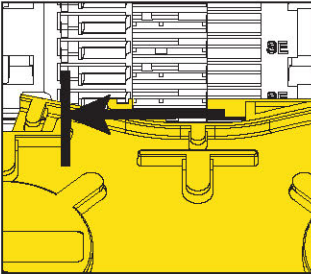
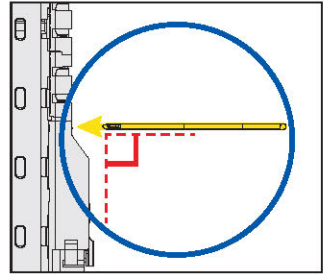
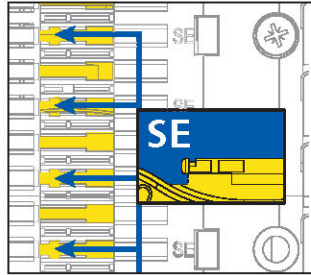
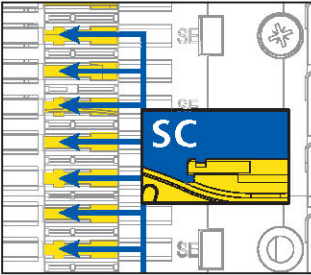
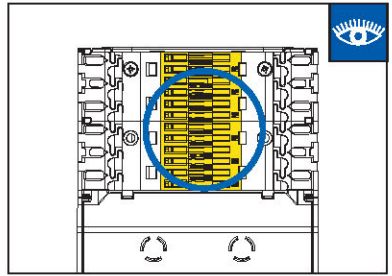
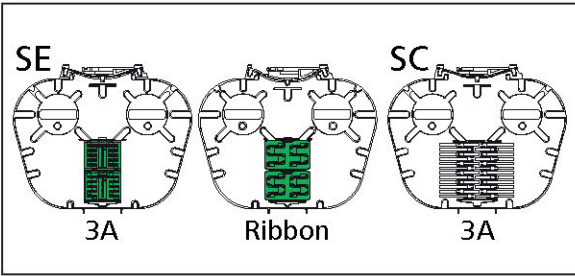


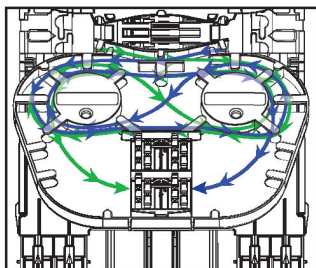
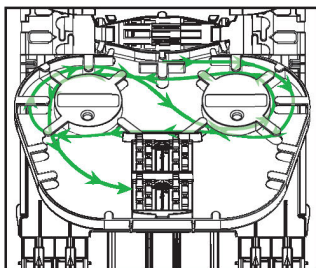
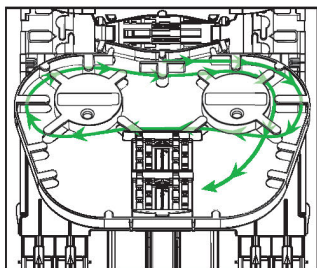
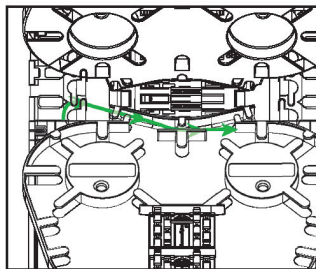
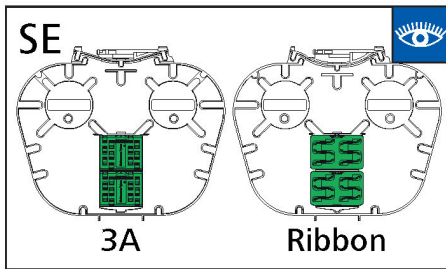
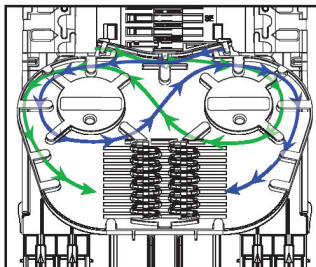
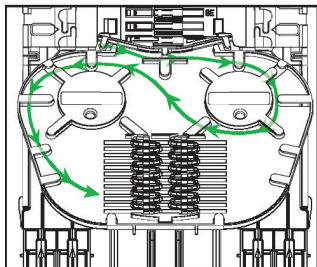
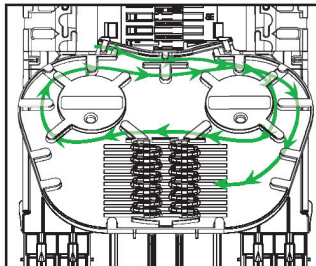
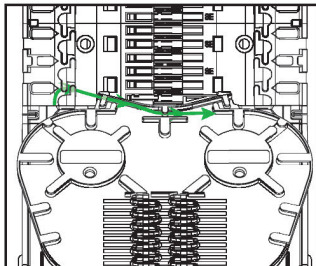
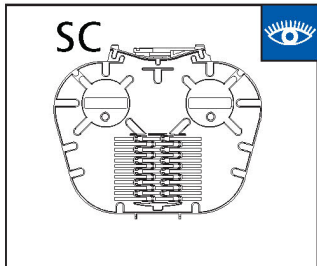
F

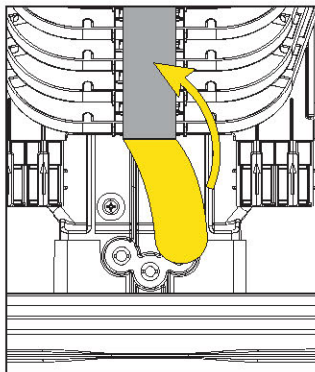
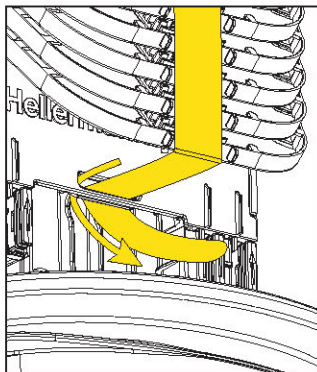
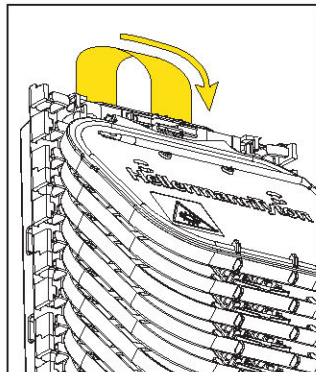
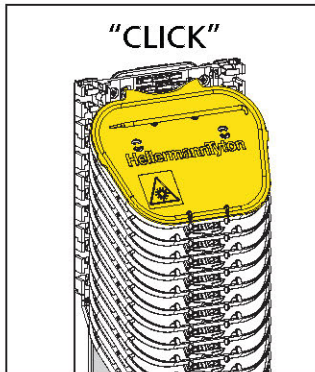
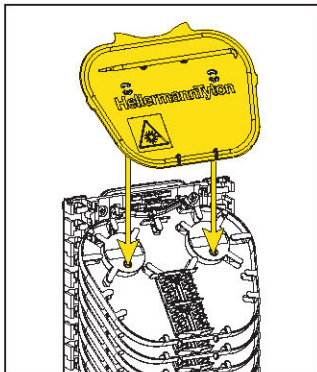
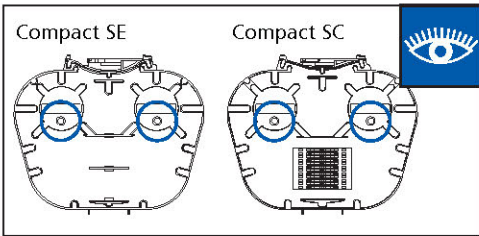
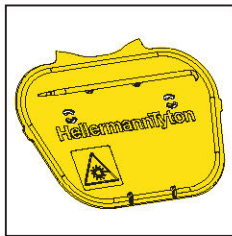
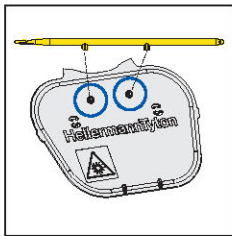












**Hellemanntyton**



 Hellemanntyton Data Ltd – UK  
Tel: +44 (0) 1604 706633  
[www.htdata.co.uk](http://www.htdata.co.uk)