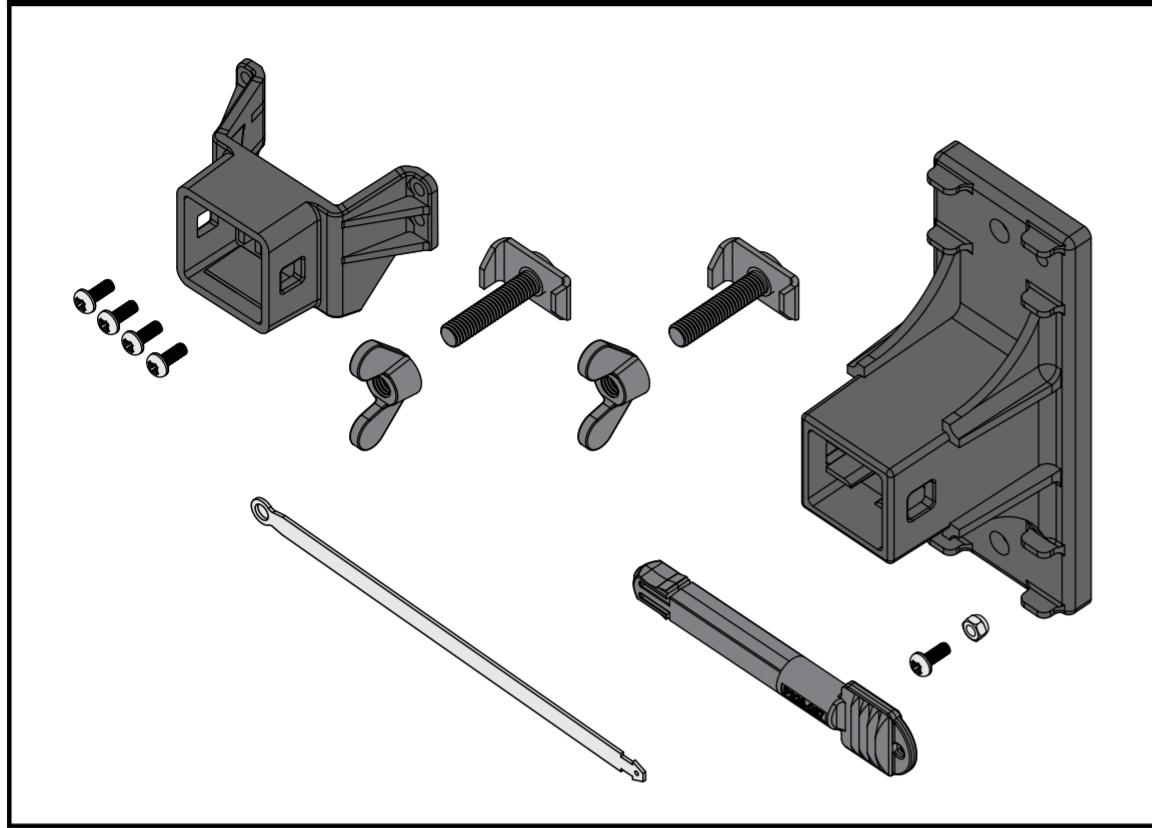
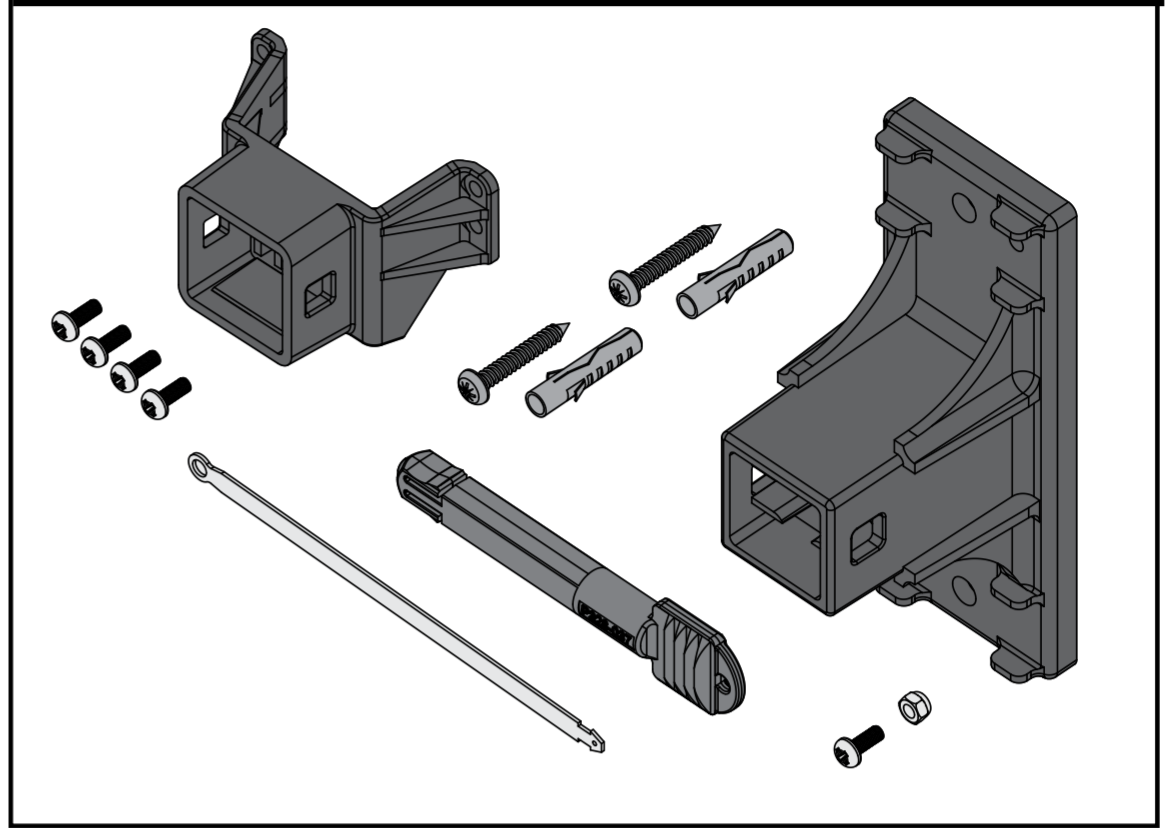


## FRBU Mounting Bracket Kits

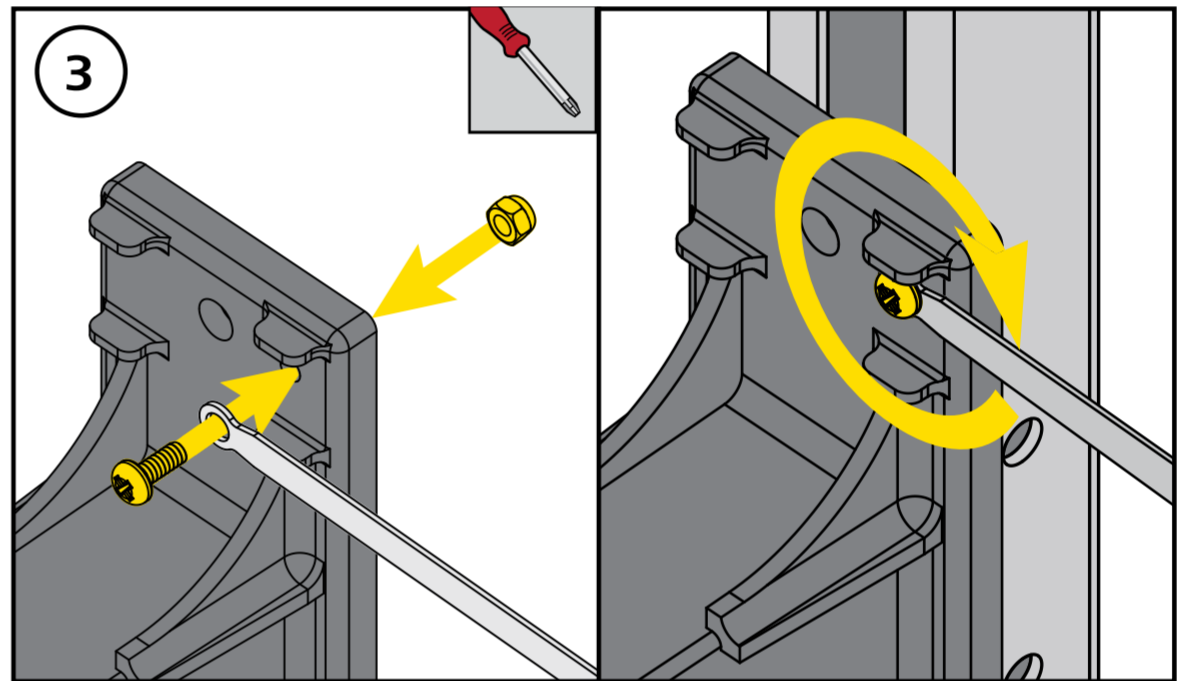
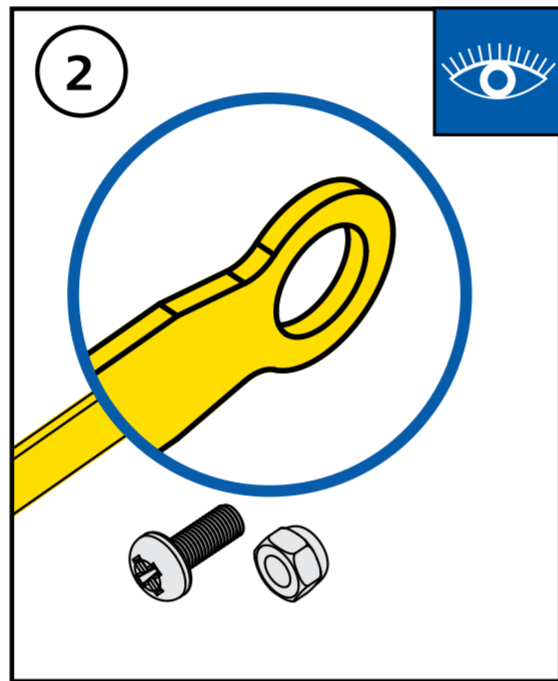
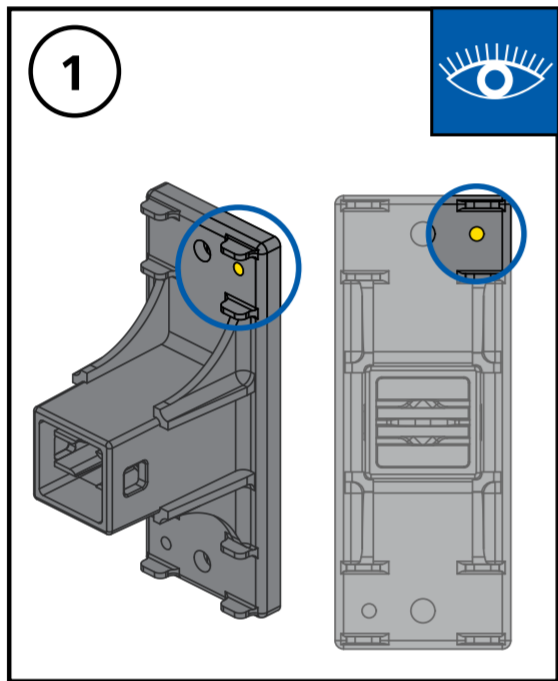
**MB-FRBU-16P-MOBRA**



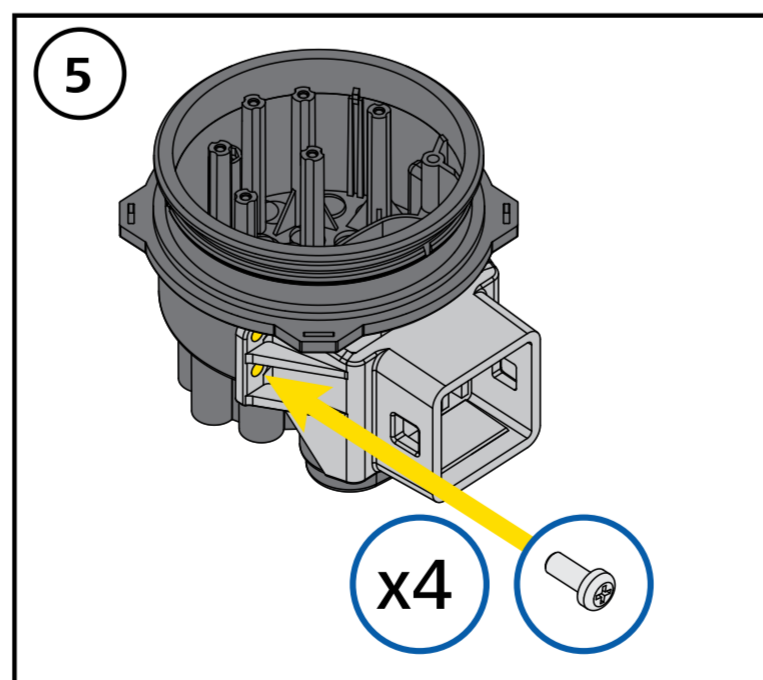
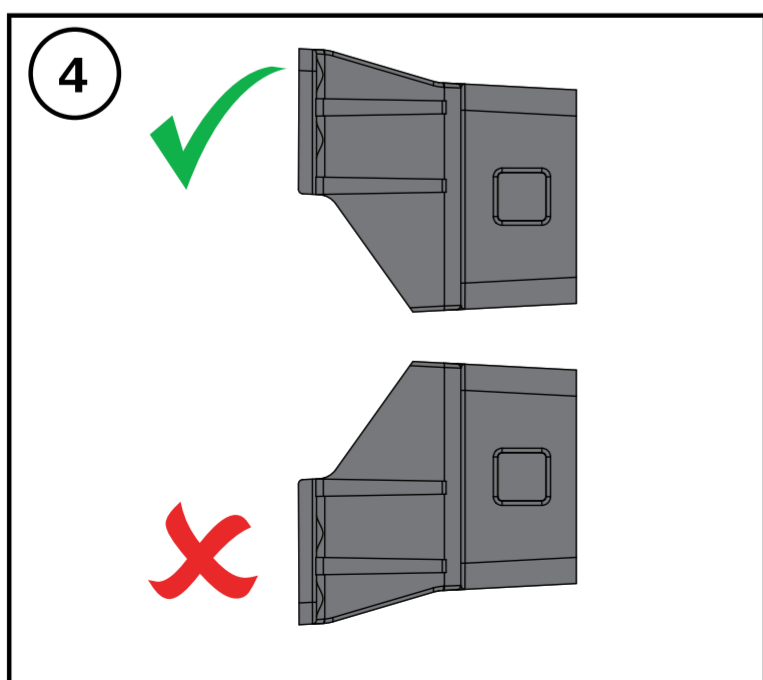
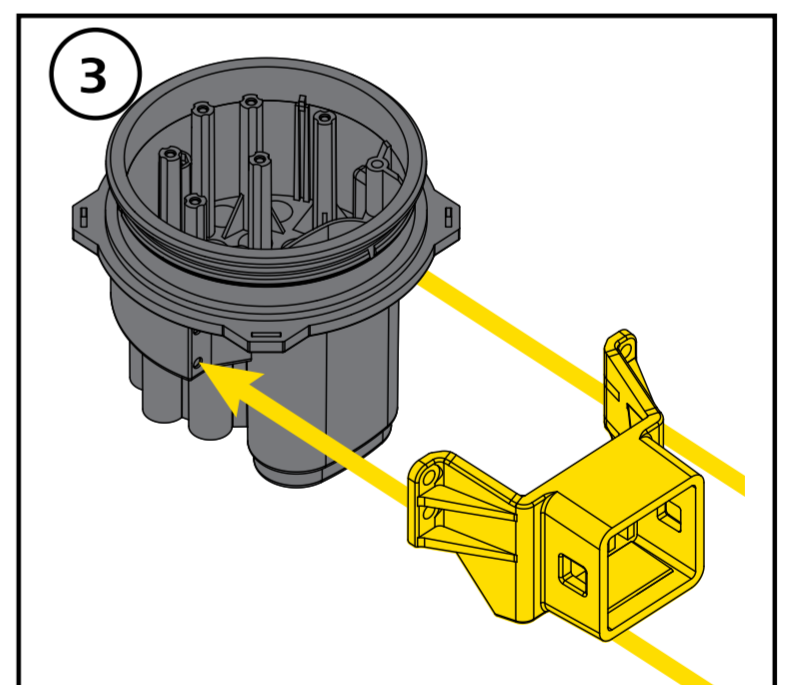
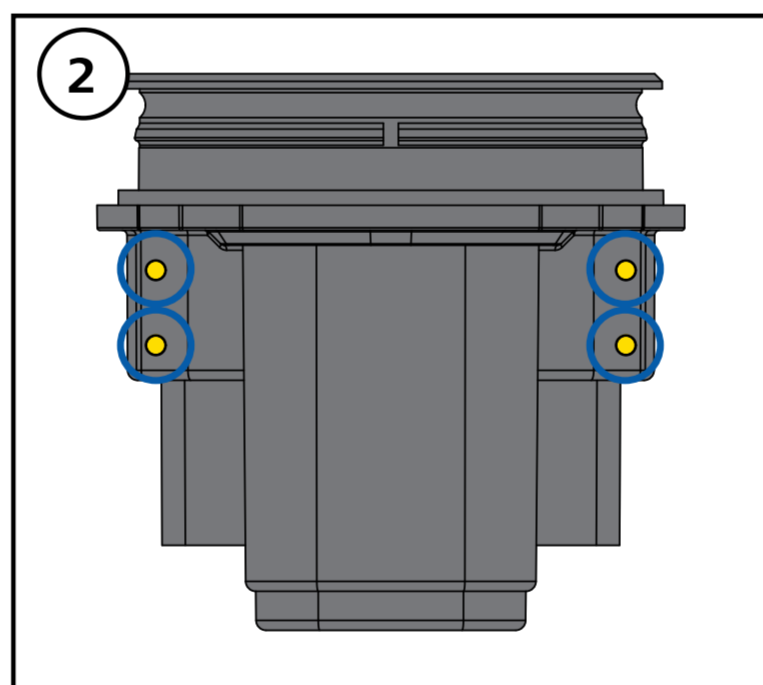
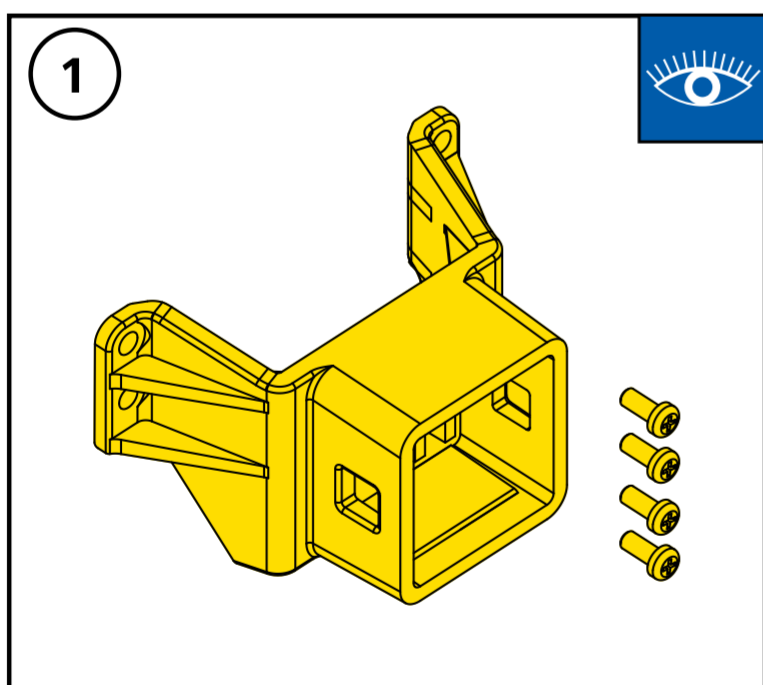
**MB-FRBU-16P-PWB-001**



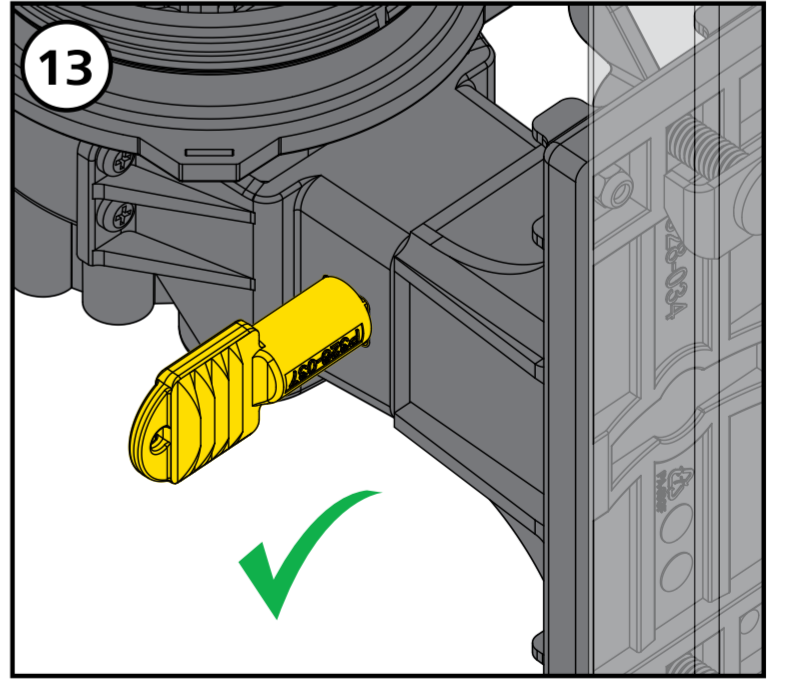
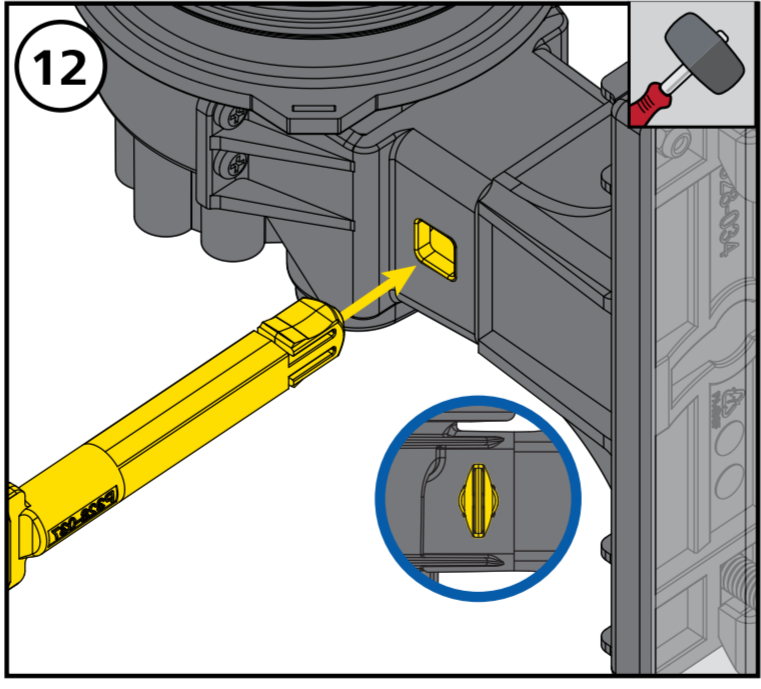
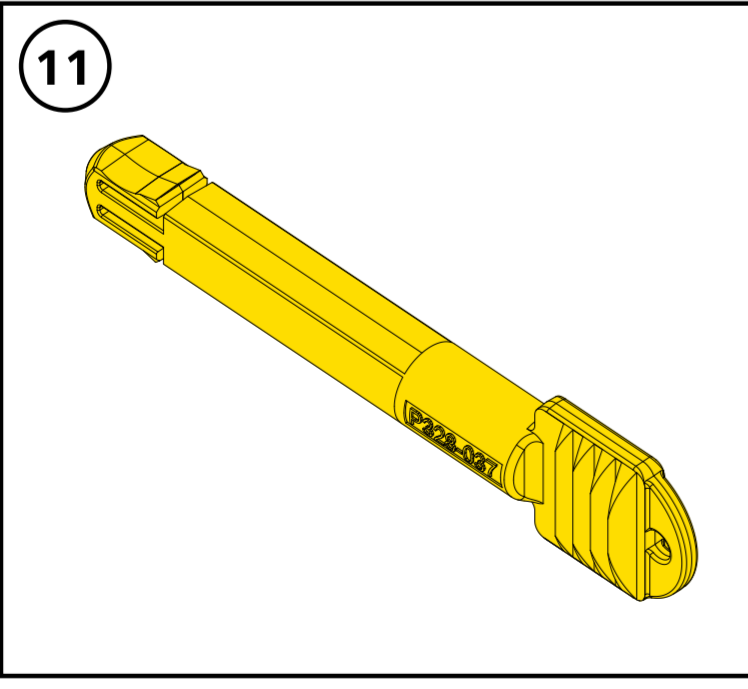
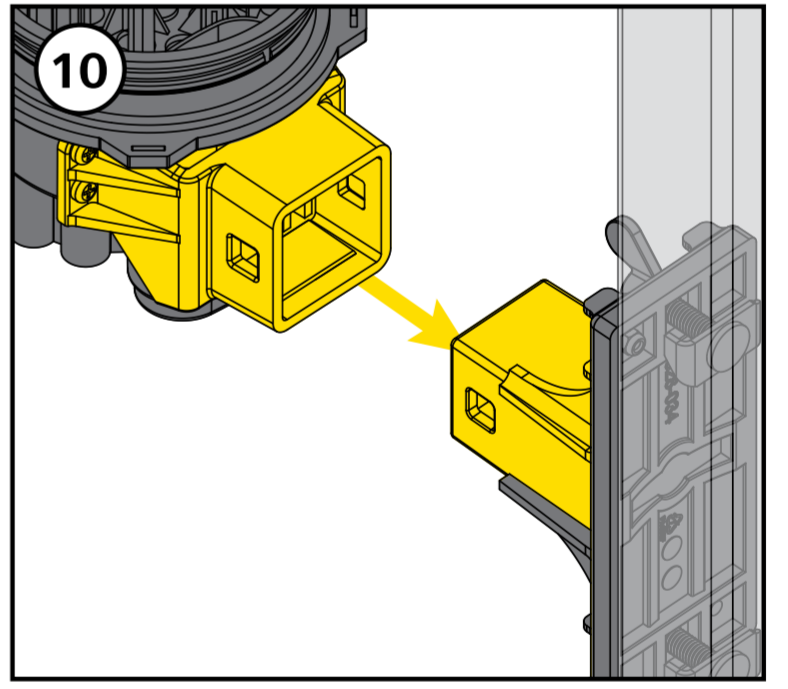
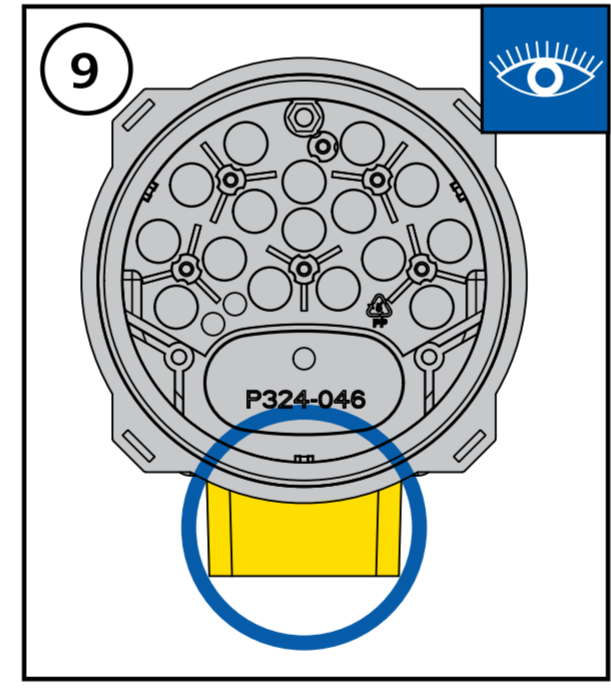
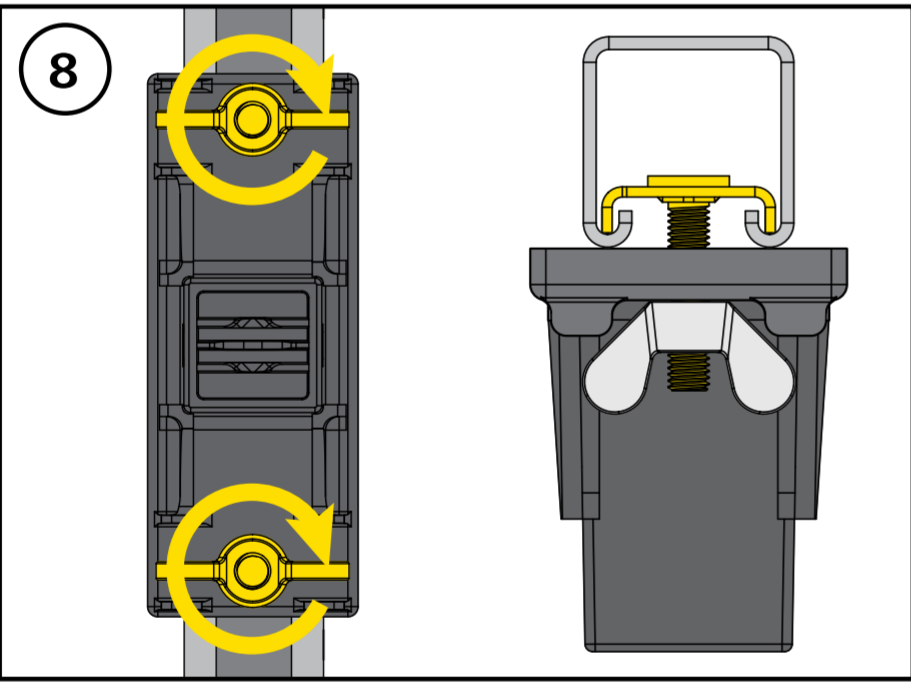
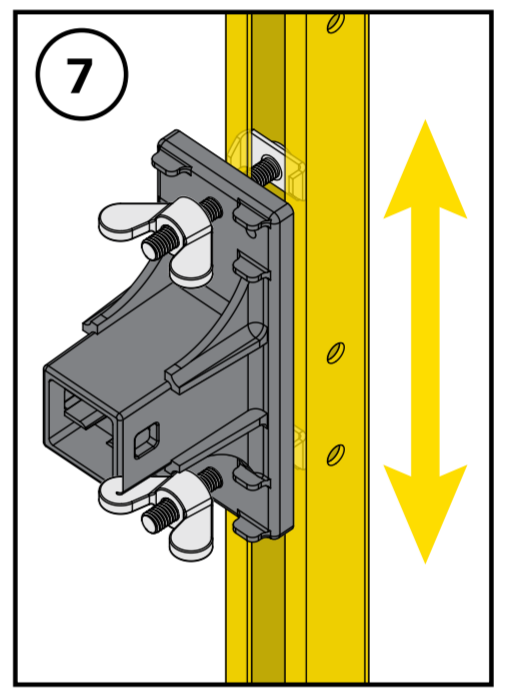
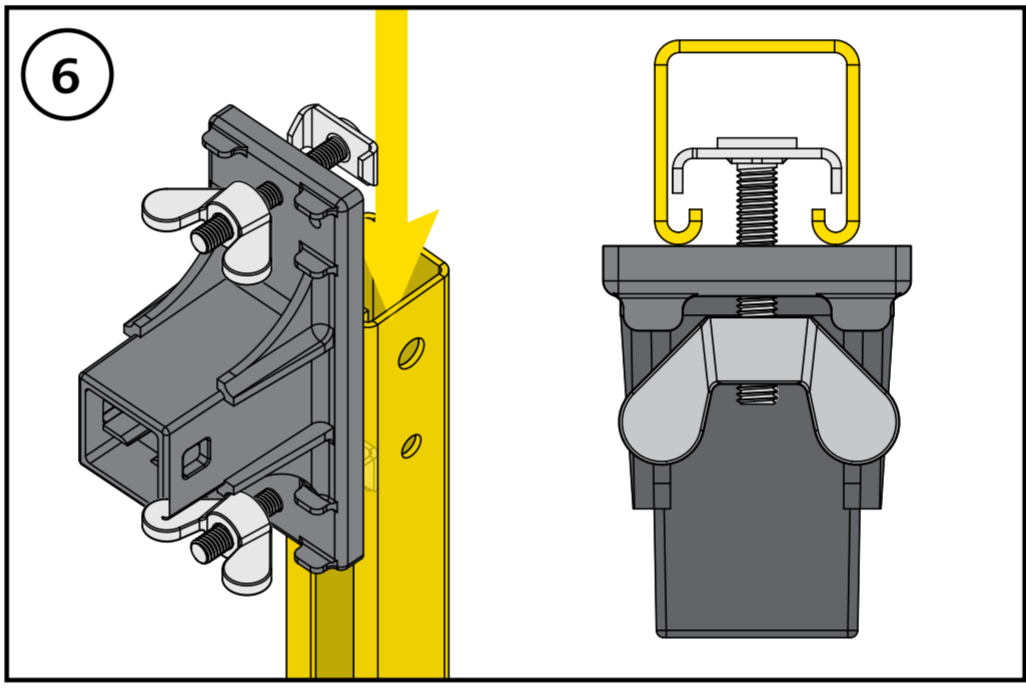
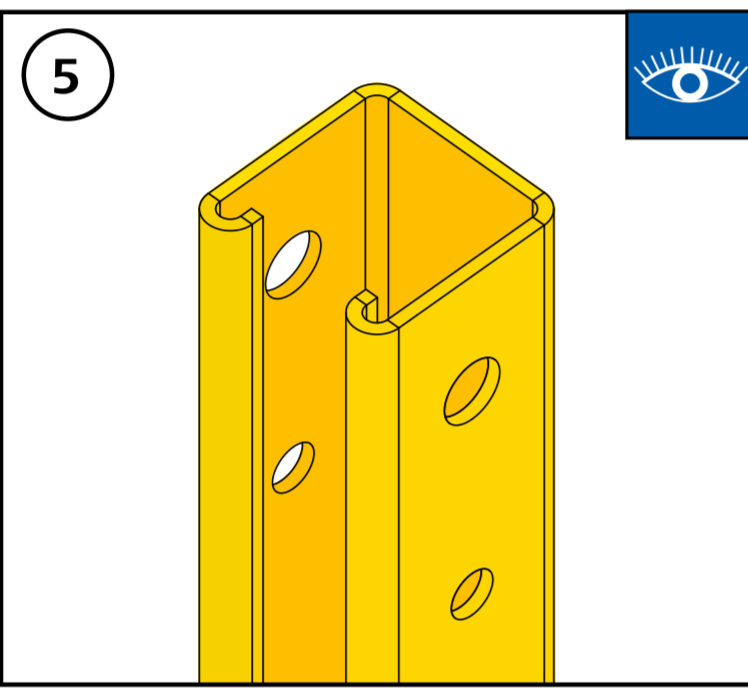
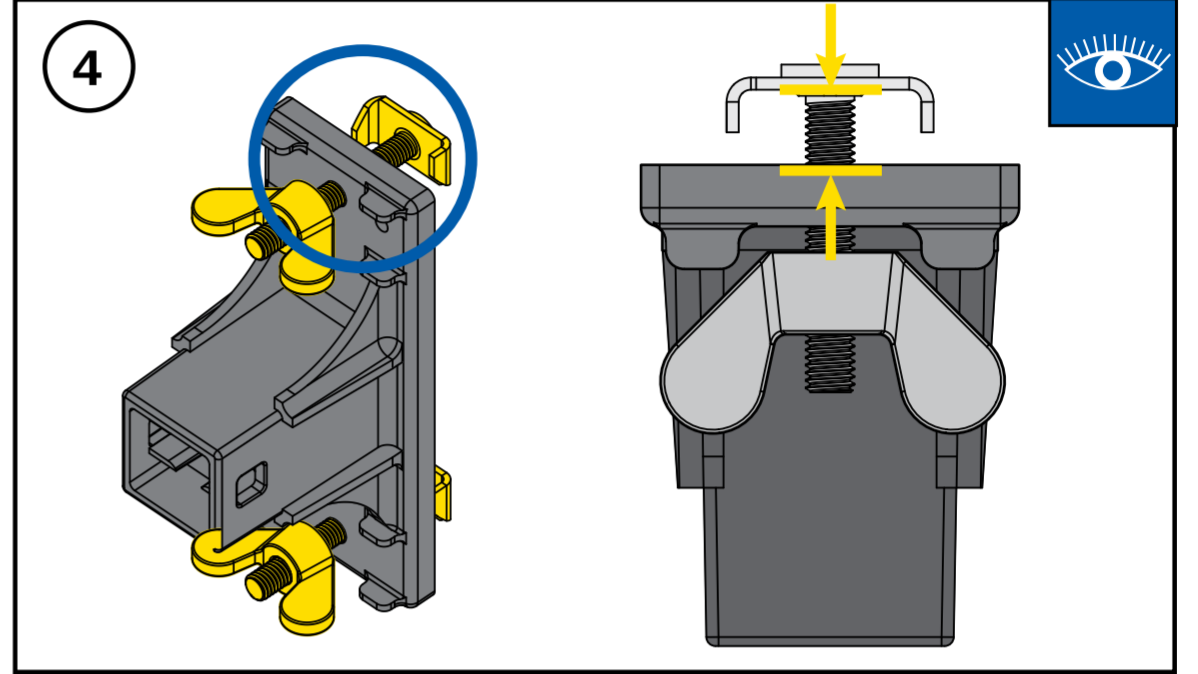
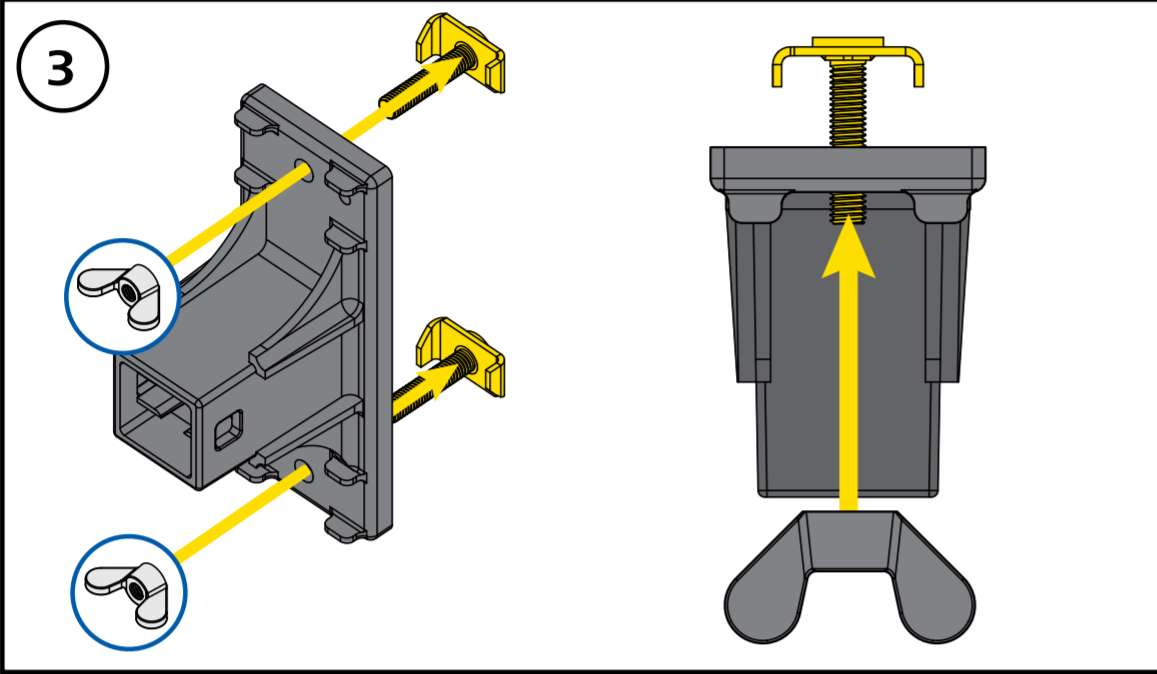
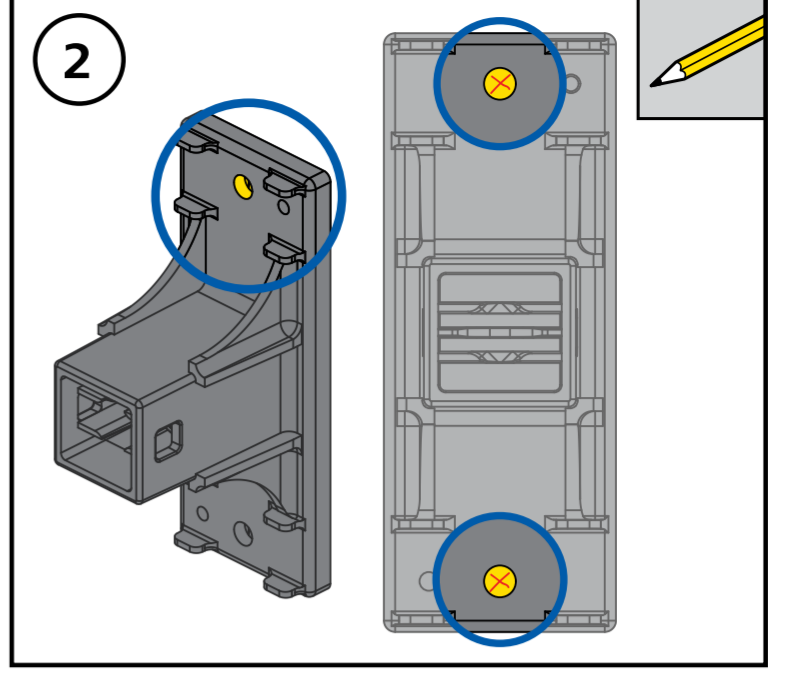
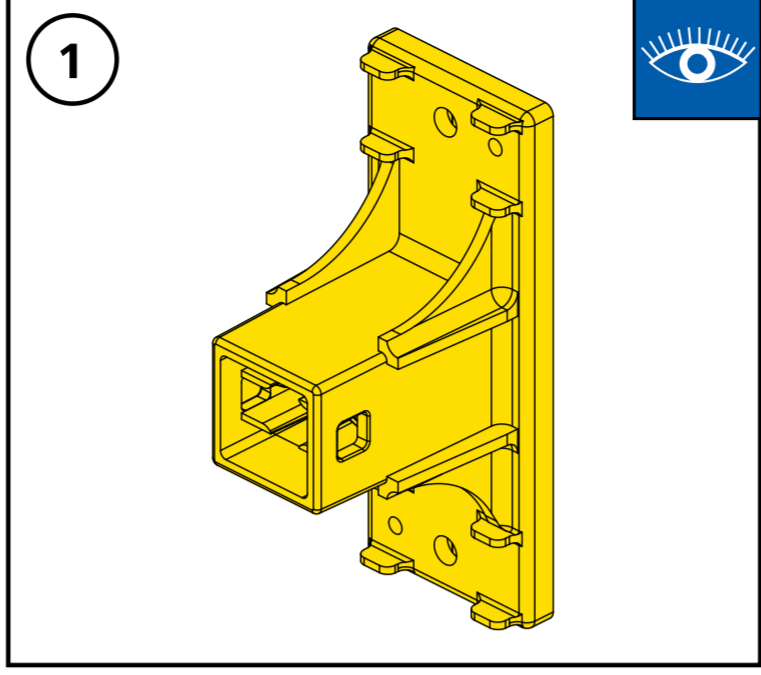
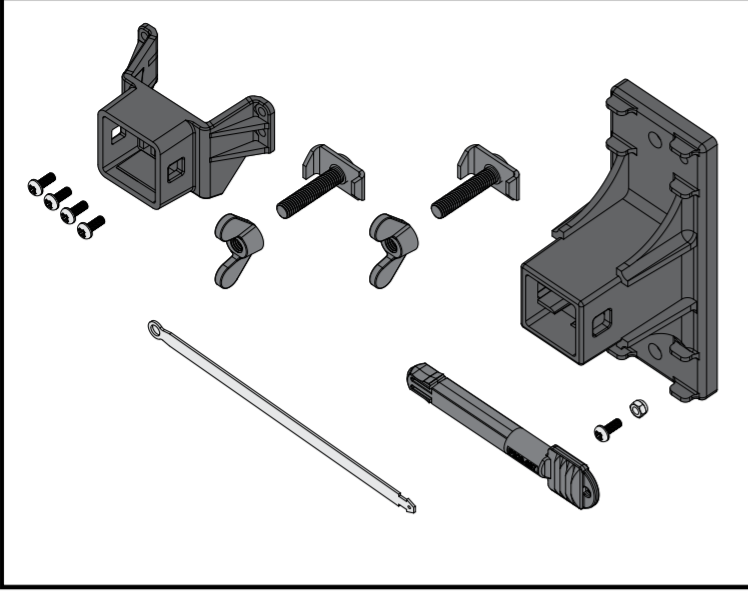
**A**



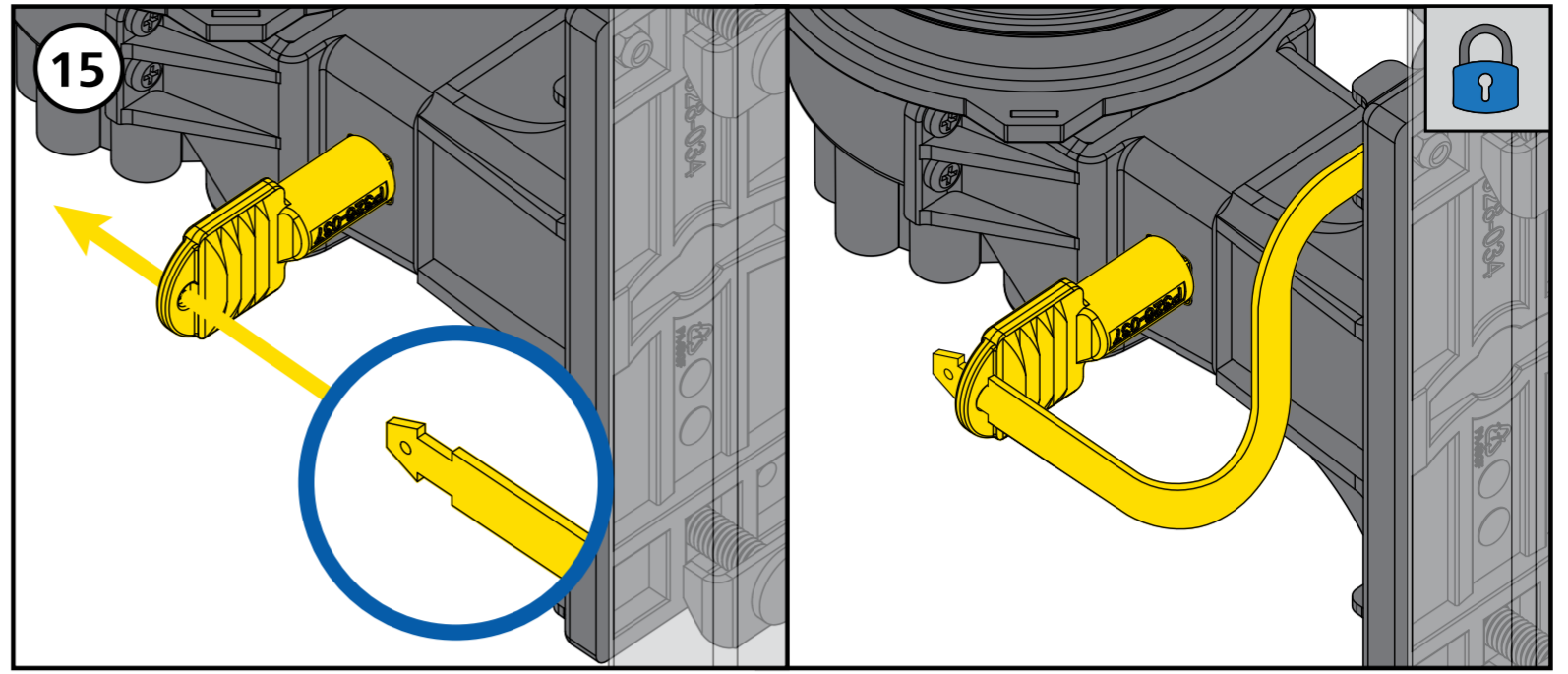
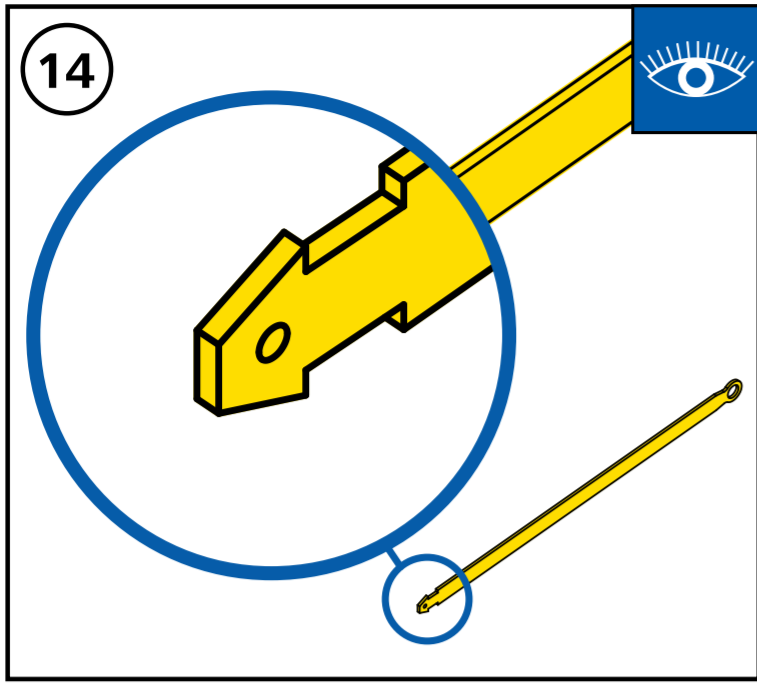
**B**



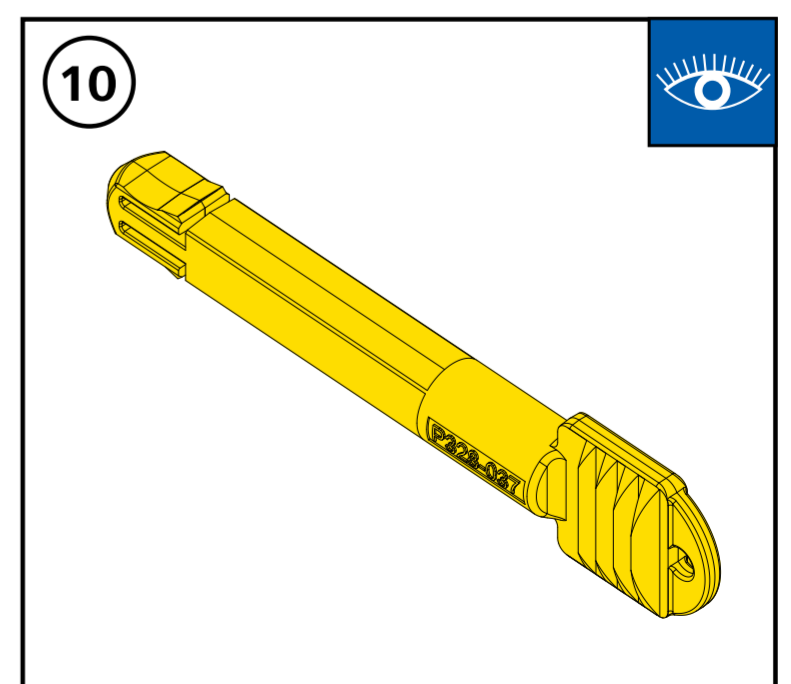
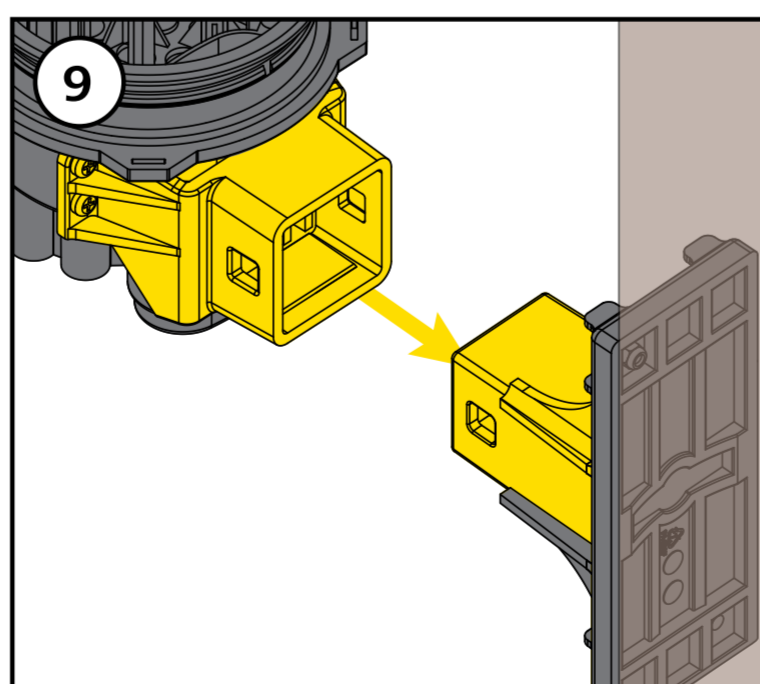
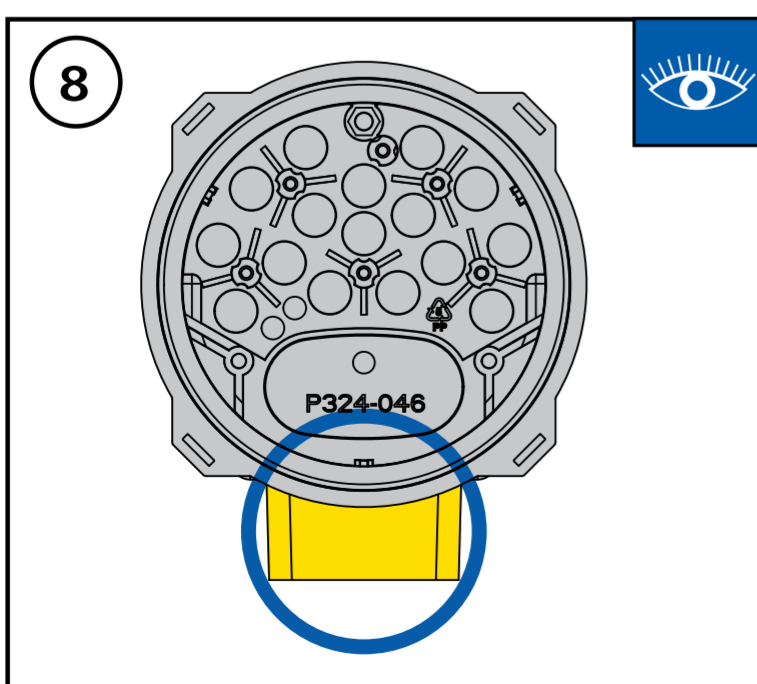
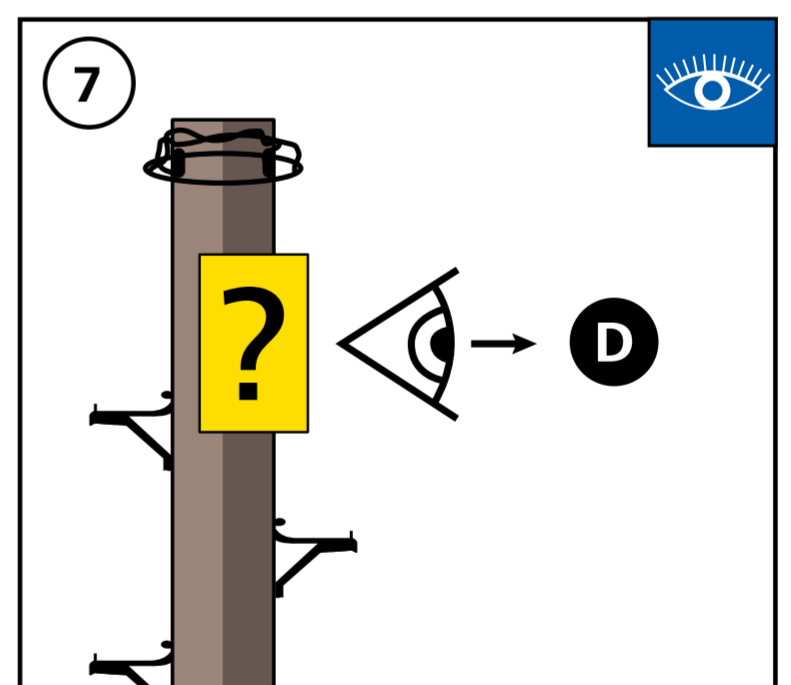
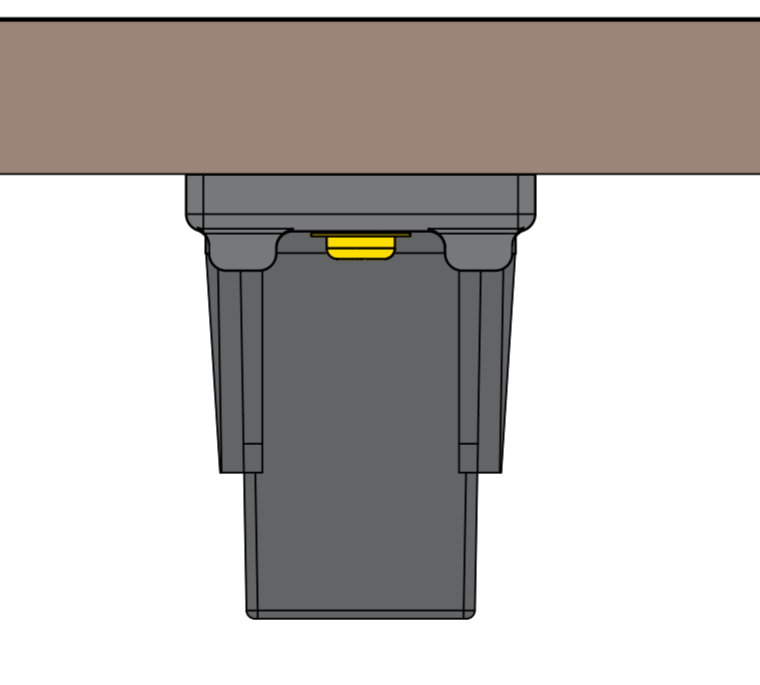
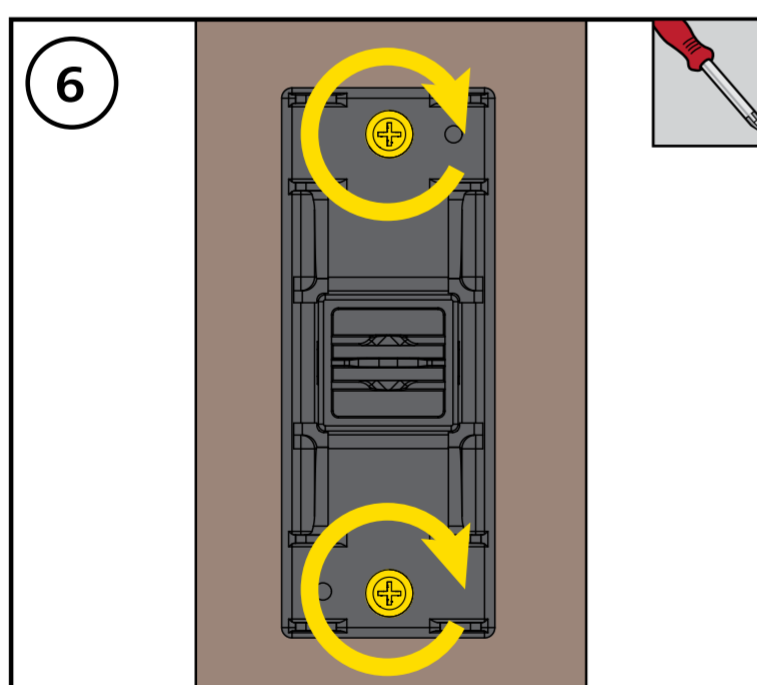
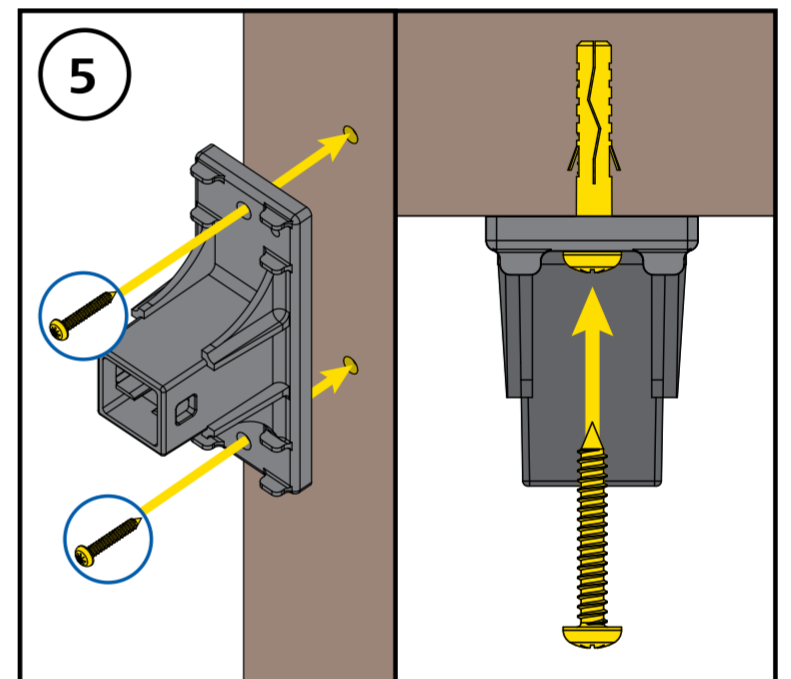
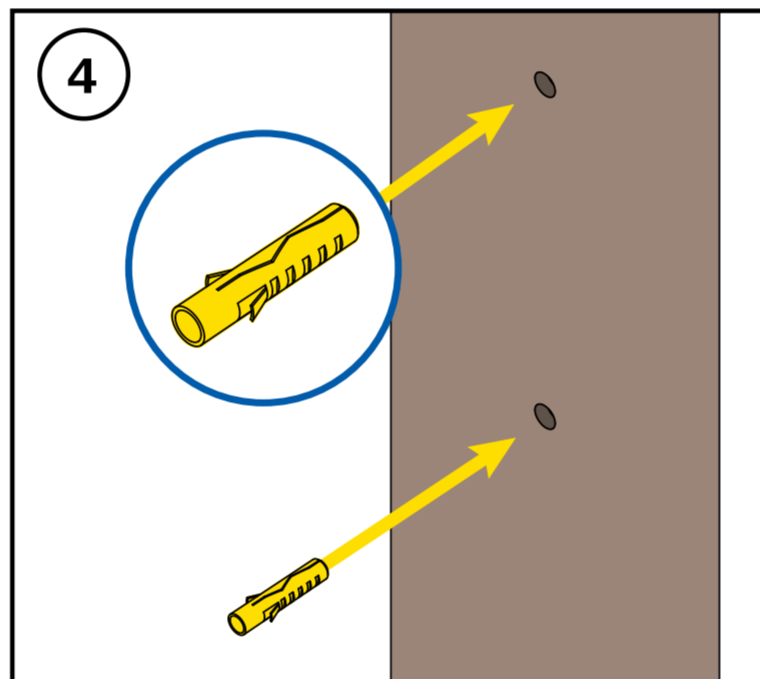
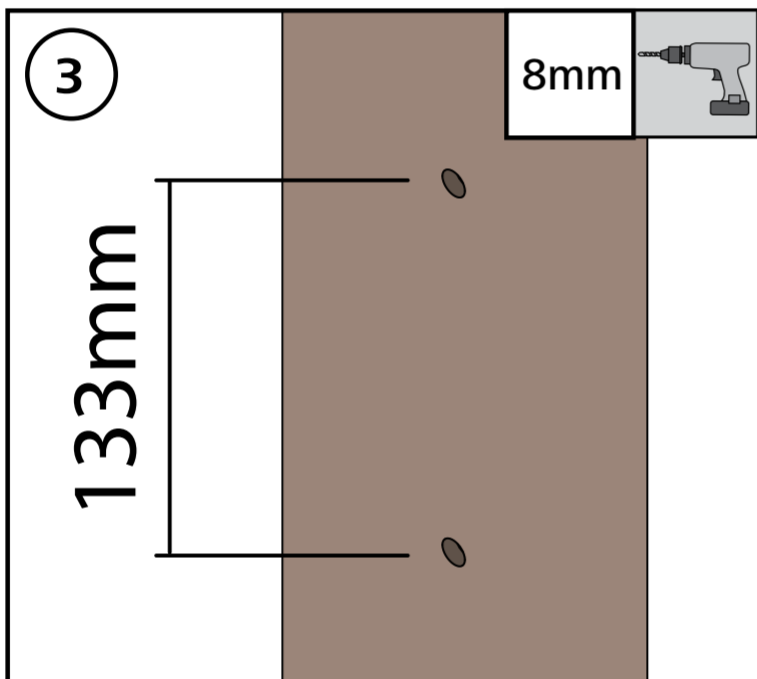
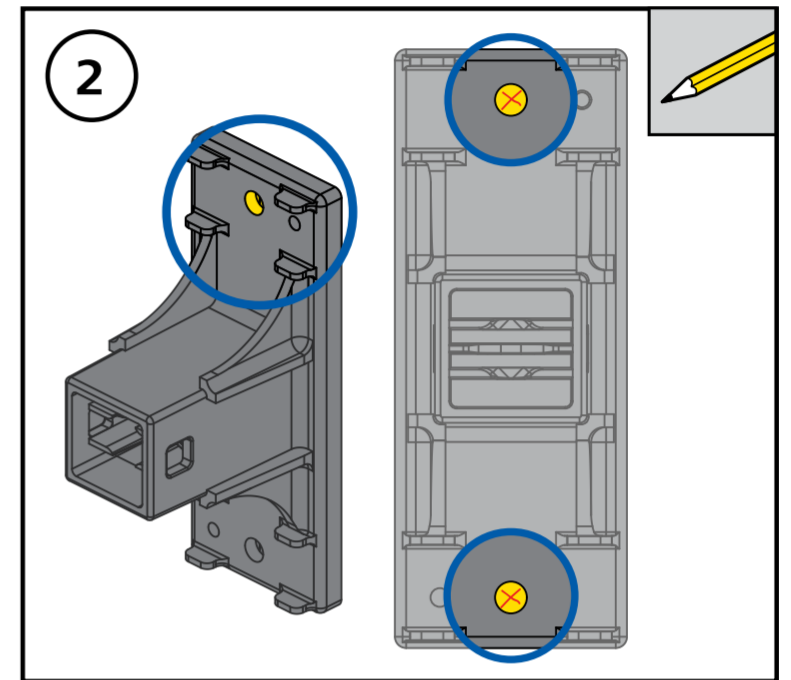
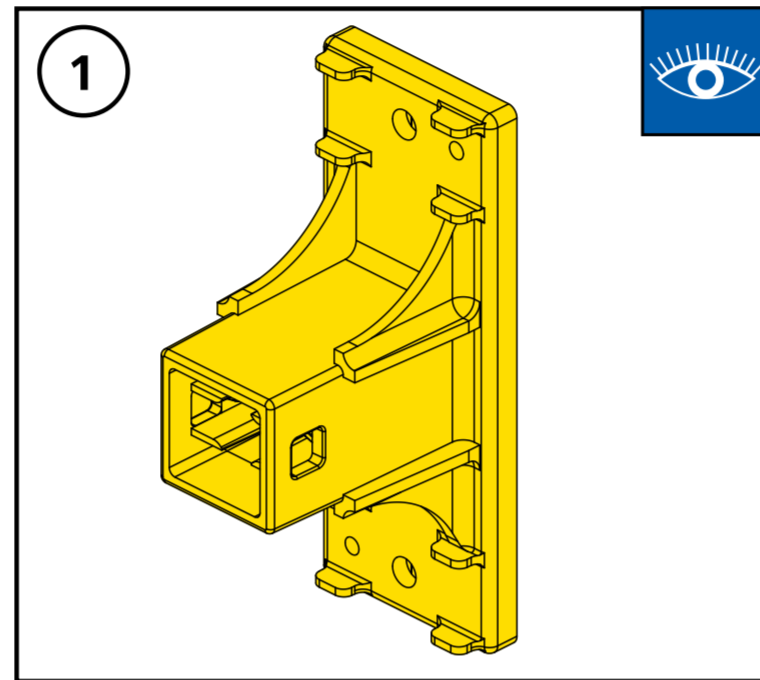
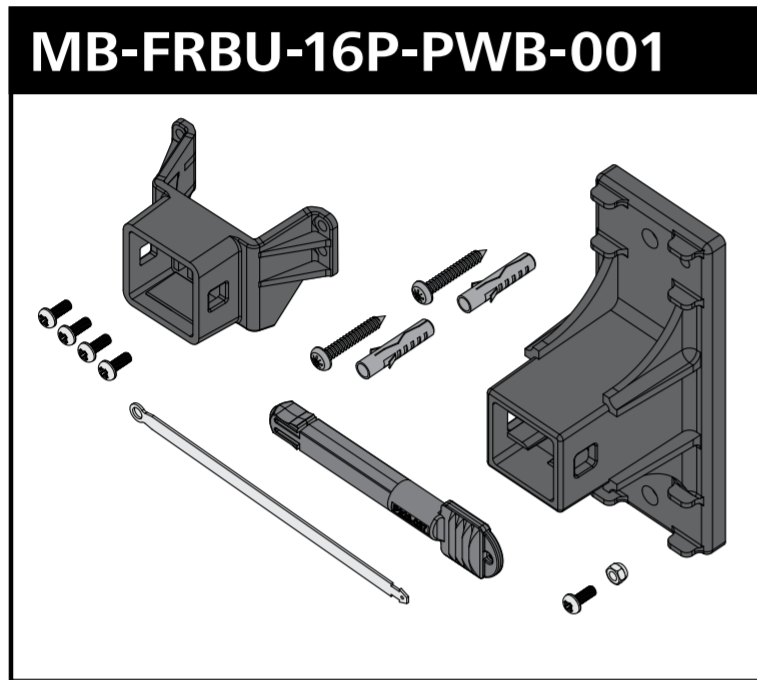
MB-FRBU-16P-MOBRA



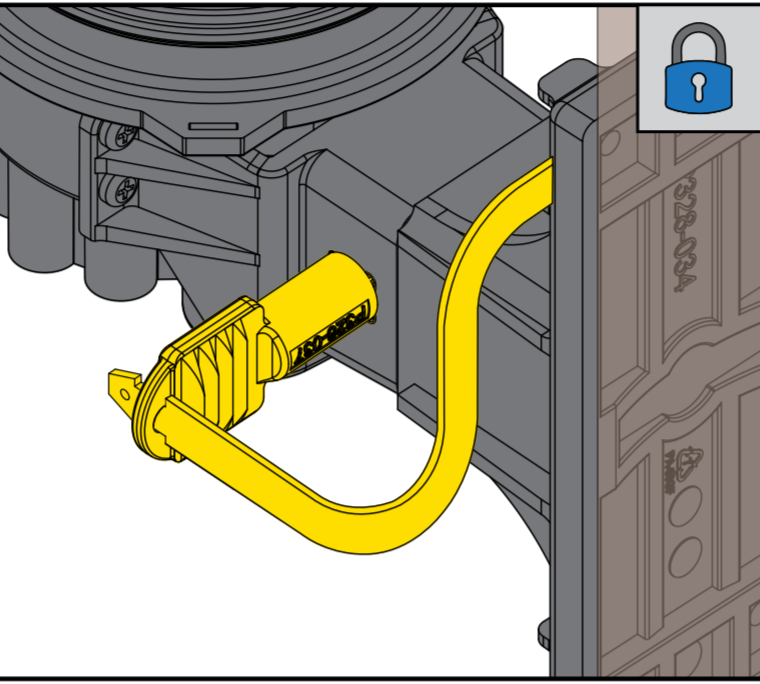
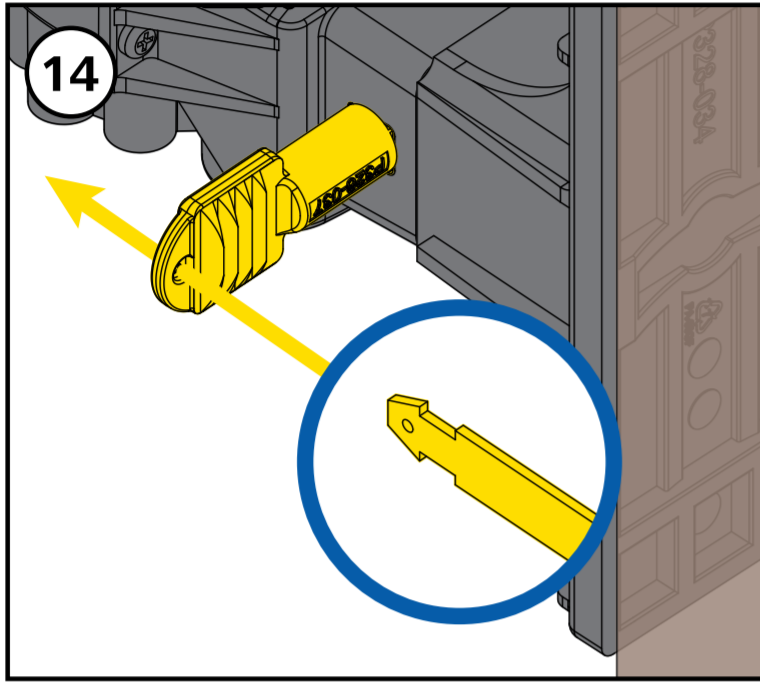
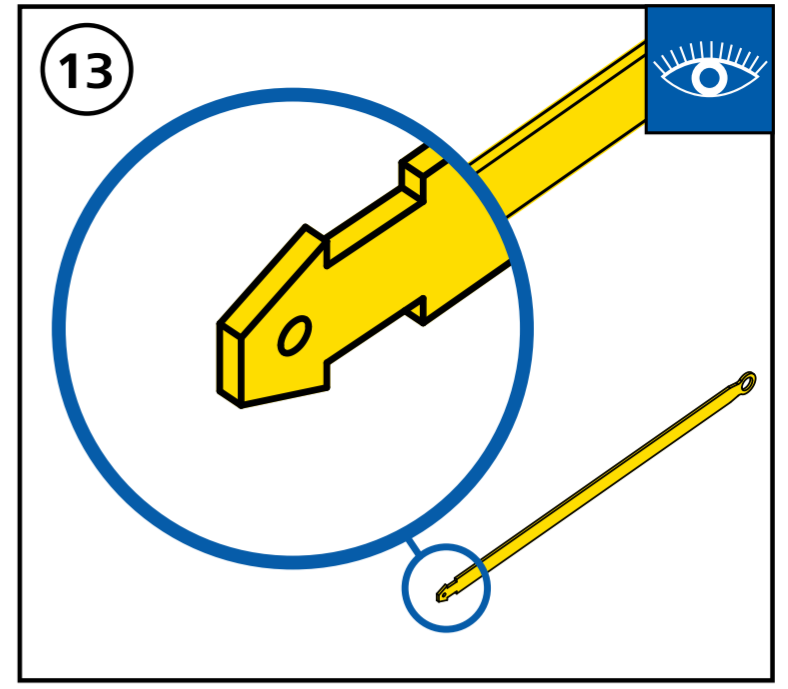
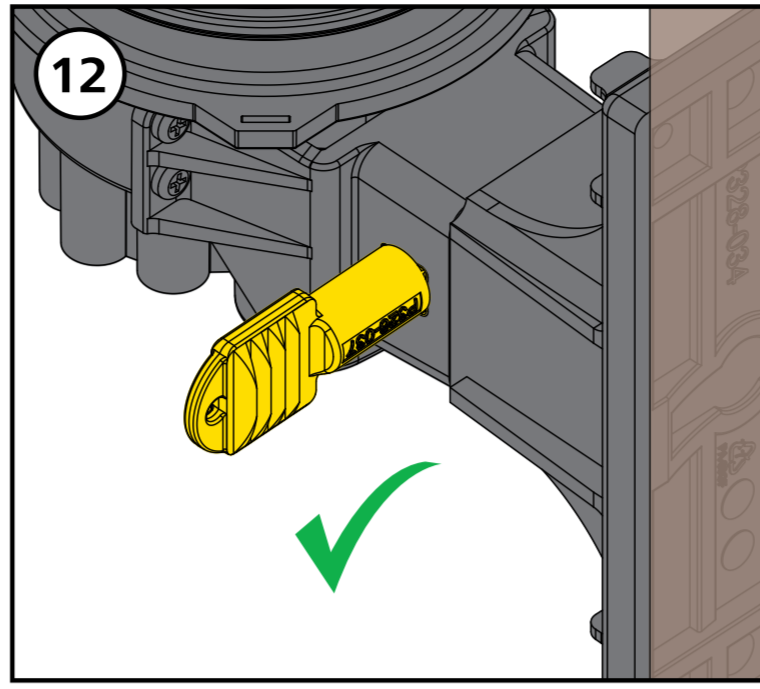
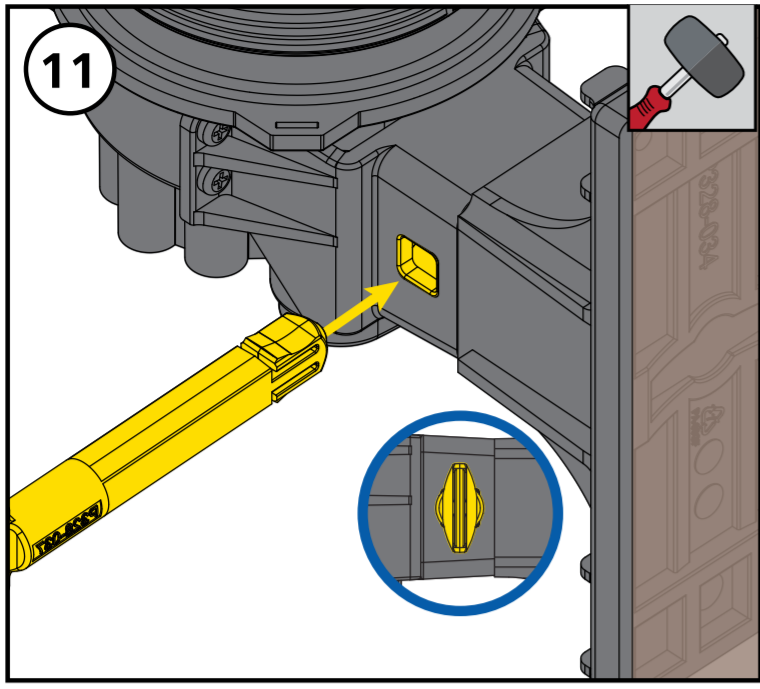
C contd.



D



D contd.



E

HOLLOW POLE MOUNTING - STRAP NOT INCLUDED

