



- 25 Year System Warranty
- Exceeds ISO/IEC Performance Standards
- Unique Slide Label System

Product Description

Alpha Snap is the leading Cat5E product group within the HellermannTyton Network Sciences cabling system. Designed to offer exceptional Cat5E performance and to meet the exacting standards of mission critical installations.

The Alpha Snap outlet is available in either standard (25mm x 50mm) or high density (50mm x 50mm) format.

The high density Alpha Snap triple outlet provides 3 ports that fit a single gang faceplate or 6 ports when using a double gang faceplate and a second triple. The high density outlet offers the same high quality Cat5E performance as the single Alpha Snap outlet.

Features and Benefits

- Exceeds all ISO/IEC 11801 and ANSI/TIA/EIA 568-C.2 Cat5E performance standards
- Patented slide label system plus software available
- Available in UTP and FTP (in single versions)
- Manufactured to exacting ISO 9001 quality standards
- Triple outlet features 3 shuttered modular RJ45 outlets in a single gang fascia (86mm x 86mm)
- Rear cable tie point
- Colour options
- RoHS compliant - lead free
- Backward compatible with Cat5 and voice
- 568A or 568B wiring options
- Accepts Krone style punch down tools

Product Description	Ordering Code	UNS Number
Alpha Snap RJ45 Cat5E Outlet Single Module	AS08KBC5E/WH	852-05237
Alpha Snap RJ45 Cat5E Outlet Triple Module	ASFP03-3L-C5E/WH	852-05303

Technical Description

The Alpha Snap outlet is available in both proprietary (Alpha Snap) and industry standard (Easyclip) mounting sizes.

Tested to exceed all ISO/IEC 11801 and ANSI/TIA/EIA 568-C.2 Cat5E performance standards the Alpha Snap outlet offers backward compatibility with Cat5 and voice products.

Both the single and high density triple Cat5E Alpha Snap outlet are supplied with a copper core colouring and numbering label to ensure error free terminations.

The 'Alpha Label' software package, available for download at www.htdata.co.uk enables straight forward port labelling.

Dimensions and Product Construction Specification

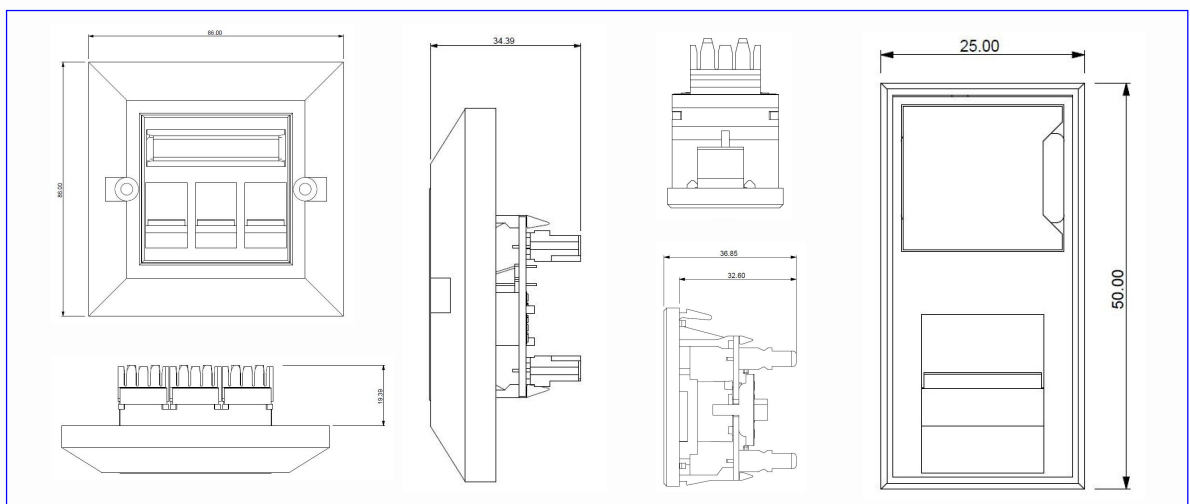
Ordering Code	Height	Width	Depth	Weight (Approx)
AS08KBC5E/WH	50.00mm	25.00mm	36.85mm	29g
ASFP03-3L-C5E/WH	50.00mm	50.00mm	32.60mm	40g

- Jack life min. 1000 insertions
- Max. of two wires per IDC contact (same gauge)
- Module material - ABS
- Wire gauge 22-24 AWG
- IDC life up to 50 re-insertions

Applications Supported

Alpha Snap products are designed to support any data or voice protocol that is capable of running over a Cat5E cabling system and is backwards compatible with existing Cat5 and voice network infrastructure.

Technical Drawings

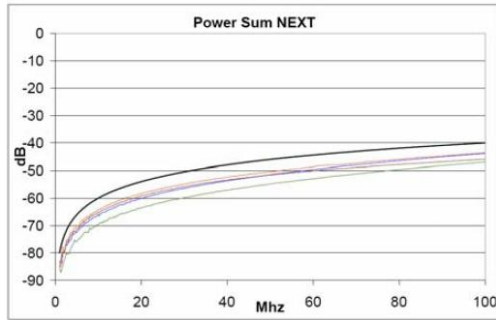


For Panel cut outs the hole needs to be XXMM x XXMM on a panel thickness of XXMM.

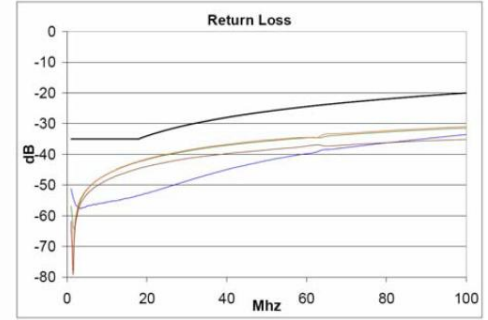
**Connecting Hardware Test
(Outlet only)**

Tested from: 1 MHz
 Tested to: 100 MHz
 Standard: ISO/IEC 11801 and ANSI/TIA/EIA 568-C.2
 Limits: Cat5E - Connector

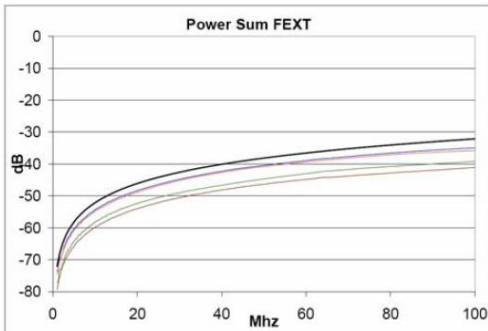
PS NEXT



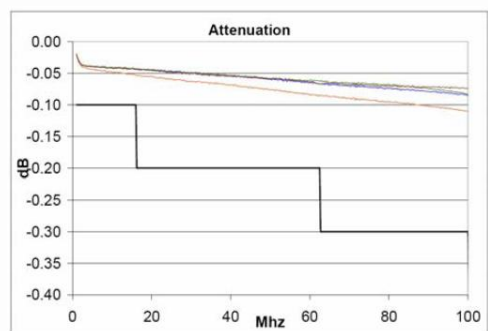
Return Loss



PS FEXT



Attenuation



**Channel Link Test
(Cable, Patch Panel, Outlet, Transition Point)**

Tested from: 1 MHz
 Tested to: 100 MHz
 Standard: ISO/IEC 11801 and ANSI/TIA/EIA 568-C.2
 Limits: Cat5E - Link

Link PS NEXT & Attenuation

