



- Up to 288 Fibres in 1U of Space
- High Density, Space Saving Cassette
- Low Loss US Conec MTP Connectors

Product Description

The MTP VHD cassette, in the identical footprint to existing RapidNet variants, presents six 12 core MTP connectors enabling up to 288 fibres in 1U of rack space.

The MTP VHD cassette is fully interchangeable with other RapidNet products (eg: copper) enabling flexibility and maximum utilization of available rack space. The cassette can also be mounted in a Zero U presentation, further saving space.

The use of high quality MTP connectors from US Conec minimizes losses across the link and provides a potential upgrade path from 10G through to 40G.

The combination of MTP and RapidNet help meet the demands of the data centre by providing reduced installation times, efficient use of premium space and high performance.

Features and Benefits

- Large increase in capacity – 288 fibres per 1U space
- Reduced installation time and rack space requirements
- Simple management of patching by using MTP™ to Connector fan-out helps to maintain good front cable management
- Uses same standard RapidNet panel so can be mixed with copper or standard RapidNet looms
- High quality MTP™ connectors used which utilise a quality ferrule reducing losses
- 12 fibres per connector reduces installation time
- Full support for links up to 40G
- Pre-terminated in clean factory conditions

Part Numbering Sequence

	Fibre									
	R	N								
RapidNet	R	N								
Fibre terminated			F	T						
Cross over internally - for 1-10G links (1-2/2-1) pair swap			F	Z						
Cross over internally - for 40G links (1,2,3,4 - 9,10,11,12)			F	W	For RapidNet VHD only available late 2010					
MTP front presentation			6							
72 Core			7	2						
MTP male connector cassette (VHD)					M	C				
MTP male connector cassette (VHD)							M	C		
OM3								M	3	
OM4								M	4	
OS1								S	1	
OS2								S	2	
Length										
Meters										M
For MTP cassette								X	X	X
For fibre if total length is over 99.5 meters the length is in whole meters only								X	1	0

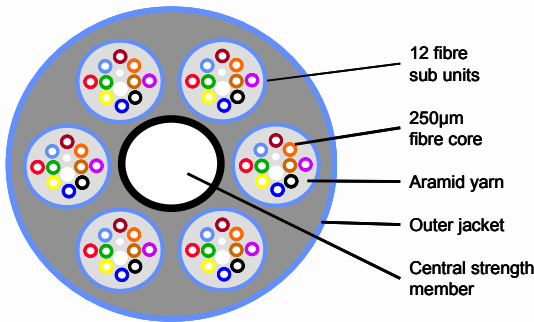
Sales: 01604 707420
Website: www.htdata.co.uk

Technical Description

RapidNet-VHD offers much higher fibre per-U counts compared to standard field termination options. RapidNet-VHD utilises high quality Us Conec MTP™ connectors and adaptors with a very high quality ferrule and mechanically they are produced to tighter tolerances than MPO connectors, this helps to improve physical alignment and reduce optical losses. *See technical information below for more details*

The RapidNet-VHD cassette utilises the same panel as standard fibre and copper cassettes meaning that they can be installed into existing installations or new installations, it also means that potentially less rack space can be used within the U space by mixing RapidNet configurations.

Dimensions and Product Construction Specification



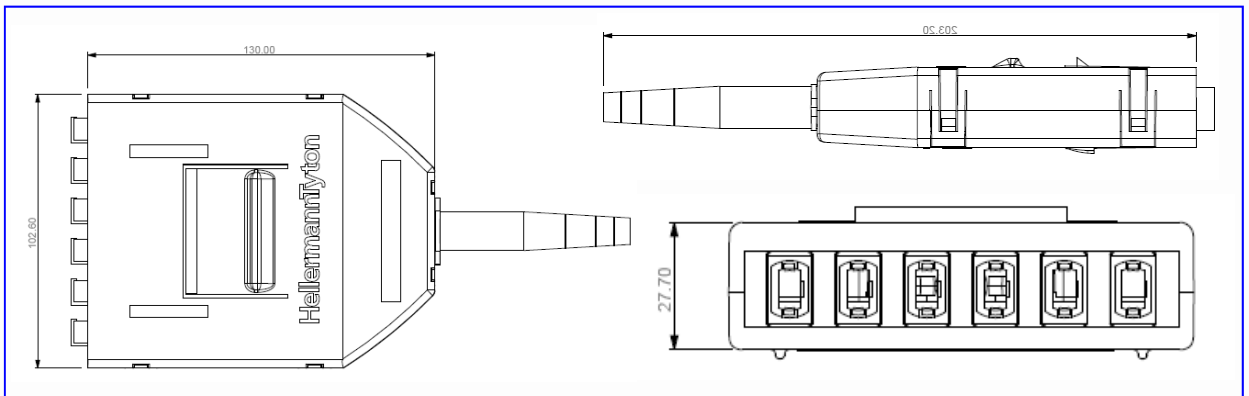
Diameter	11.2mm	
Weight	98.0 kg/lm	
Operating temperature	-20°C to + 70°C	
	During installation	After installation
Bend radius	22.4cm	11.2cm
Maximum tensile strength	1,000N	300N

Optical Performance

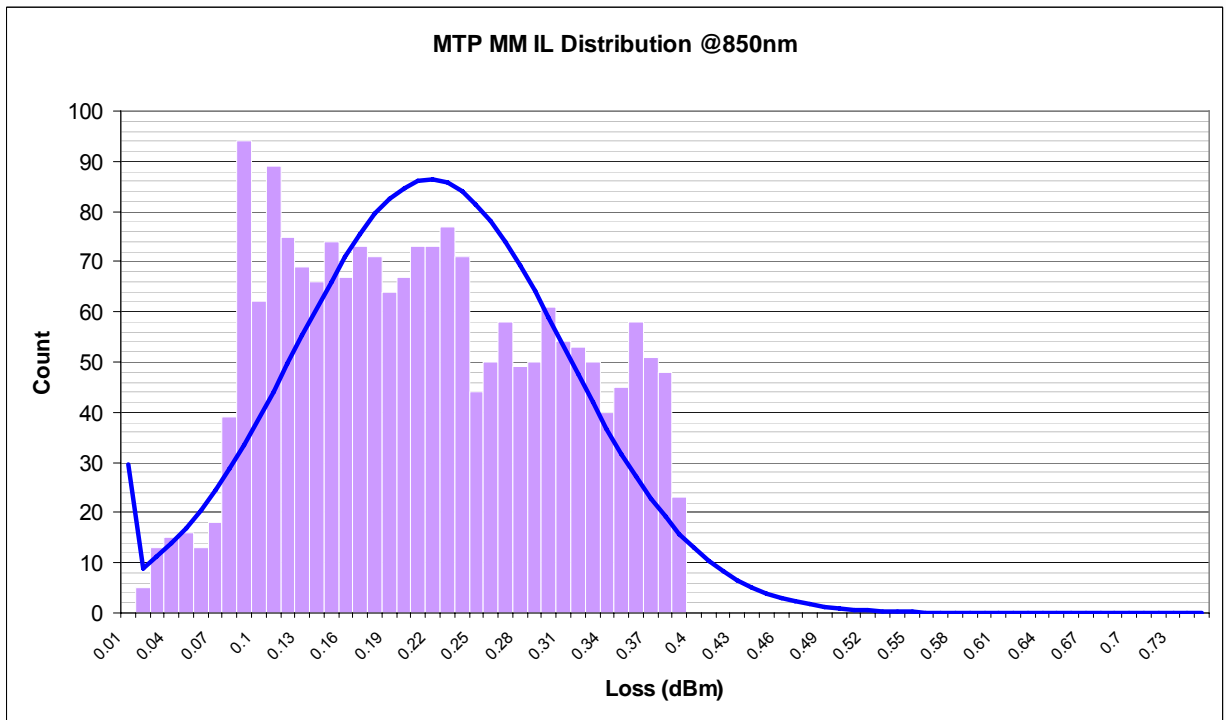
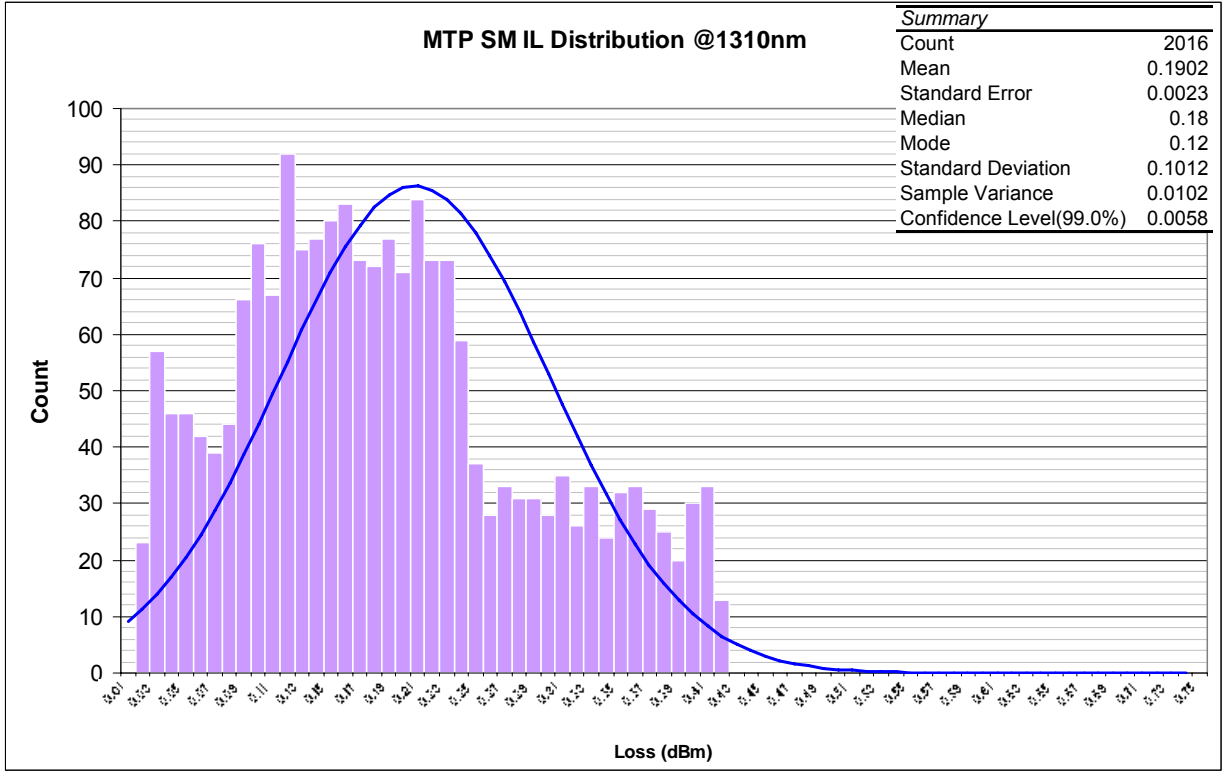
	OS1 single mode (9/125)	OM1 Multimode (62.5/125)	OM2 Multimode (50/125)	*OM3 multimode (50/125) laser optimised
Wavelength (nm)	1310/1550	850/1300	850/1300	850/1300
Attenuation (dB/km)	0.4/0.3	3.5/1.5	3.5/1.5	3.5/1.5
Bandwidth (MHz/km)	N/A	≥300/ ≥300	≥200/ ≥300	≥1500/ ≥500

* OM3 Transmission Distance - 300m

Technical Drawings



Optical Performance - Test Results



Tel: +44 (0) 1604 707420
Web: www.htdata.co.uk
Email: sales@htdata.co.uk