



Universal Category 5e Angled

1U 24 Port and 1U 48 Port

Application/Product Description

Category 5e Universal Angled Patch Panels are designed to support Ethernet 10BASE-T, 100BASE-T (Fast Ethernet), 155 Mb/s ATM, Token Ring 4/16, voice/data systems and Voice over Internet Protocol (VoIP) systems running over a Category 5e cabling system and is backwards compatible with existing Category 5 and voice network infrastructures.



Universal Category 5e Angled Patch Panels

Technical Data

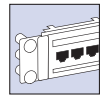
Specification	Category 5e							
Conformance	<ul style="list-style-type: none"> • ISO 11801:2002 (inc. Amend. A1 & A2) • BS EN 50173 • ANSI/TIA/EIA 568-C.2 							
Wiring Specification	568A/B							
Port Density	1U 24 Port				1U 48 Port			
Dimensions (mm)	H	W	D1	D2	H	W	D1	D2
	44.0	483.0	127.0	106.0	44.0	483.0	127.0	106.0
Panel Weight (g)	628				1252			
Outlet Style	RJ45							
RJ45 Jack Life	Minimum Insertions 1000							
Punch Down Blocks	IDC							
IDC Life	Minimum 50 re-terminations							
Wire Gauge	22-26 AWG (Maximum of 2 wires per contact).							

Material	
Panel	Mild Steel, Black Powder Coated
Modular Jack Housing	Polybutylene
Contacts	ABS/Selected Gold Plate

Performance Characteristics

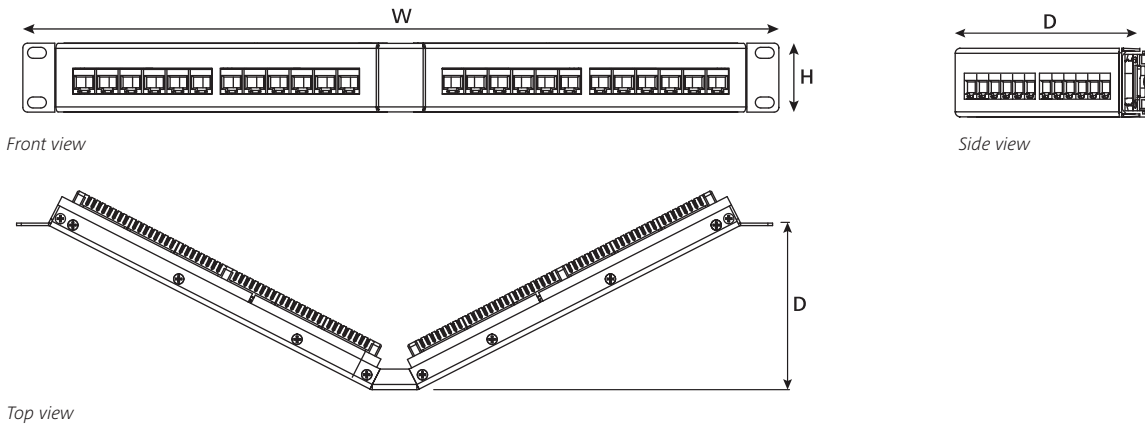
Frequency (MHz)		1	10	100
Insertion Loss	Spec	3.0	6.2	21.0
	Typical	1.9	5.6	18.3
NEXT (dB)	Spec	60.0	48.5	32.3
	Typical	83.9	70.3	51.8
ACR-N (dB)	Spec	57.0	42.3	11.3
	Typical	82.0	64.7	33.5
Return Loss (dB)	Spec	19.0	19.0	12.0
	Typical	28.6	32.8	26.3
PS NEXT (dB)	Spec	57.0	45.5	29.3
	Typical	78.5	64.9	46.1
PS ACR-N (dB)	Spec	54.0	39.3	8.3
	Typical	76.6	59.3	27.8
ACR-F (dB)	Spec	58.6	38.6	18.6
	Typical	74.4	55.1	37.3
PS ACR-F (dB)	Spec	55.6	35.6	15.6
	Typical	67.9	48.3	31.8

*Typical values are for permanent link tests when using the complete HellermannTyton Data System.

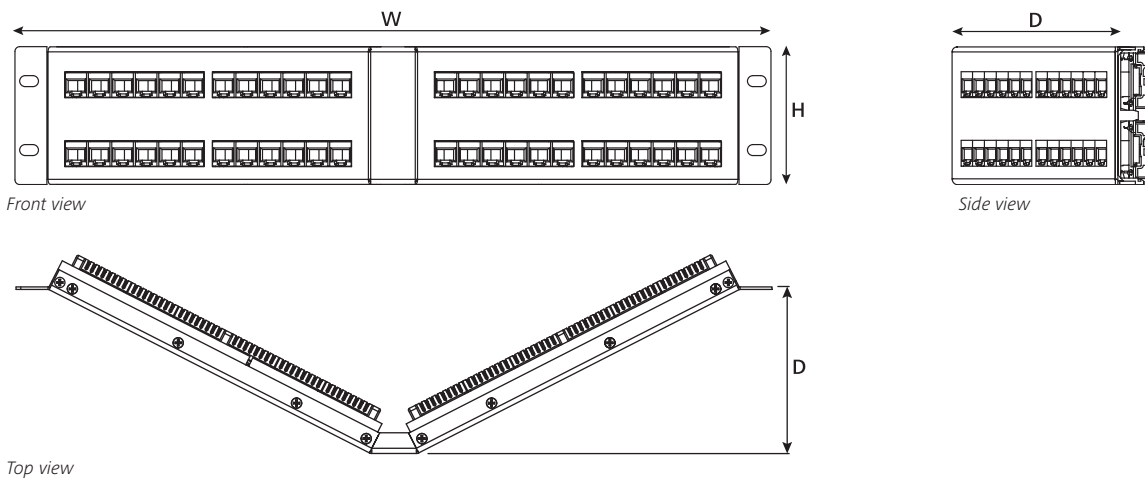


Technical Diagrams

1U 24 Port Angled



1U 48 Port Angled



This document is subject to change without notice.
The current version available from www.htdata.co.uk/site/products/patch-panels

HellermannTyton Data Ltd
Cornwell Business Park
Salthouse Road, Brackmills
Northampton NN4 7EX
United Kingdom

HellermannTyton

tel: +44 (0) 1604 707420 web: www.htdata.co.uk
Follow us on [in](#) [t](#) @HTData

HT-DS-UNIVERSAL-ANGLED-CAT-5E-PANEL-R10