

HTC Series CAT6A Field Termination Plug

RJ45 Shielded Tool-Free Plug

Application/Product Description

The HTC Series Category 6A Shielded Field Termination Plug has been designed to support today's network infrastructure requirements including Ethernet 10BASE-T, 100BASE-T (Fast Ethernet), 1000BASE-T (Gigabit Ethernet), 10GBASE-T (10 Gigabit Ethernet) Voice over IP (VoIP). With greater demand for PoE implementation The HTC Series CAT6A Field Termination Plug has been configured to bolster today's PoE requirements, supporting the most up to date standards for PoE++ (Type 4) as described in IEEE 802.3bt.

360° Shielding prevents alien crosstalk (AXT) and helps to dissipate any heat produced from PoE applications. The tool-free design allows for fast on-site termination without the need for any specialized tools. Field termination plugs are used to create Modular Plug Terminated Links (MPTL) on-site for direct connection to fixed location devices. In order to obtain the HellermannTyton 25 year system warranty MPTL's must be correctly tested as per the ANSI/TIA-568.2-D standards.

Features and Benefits

- Plastic Free Packaging
- Tool-Free Design
- Supports CAT6A 10G 500mhz
- Shielded to prevent Alien Crosstalk (AXT)
- Compatible with CAT6A shielded Cable
- Backwards Compatible with CAT6 Shielded & Unshielded Cable

Standards Compliance

- ISO/IEC 11801-1 (CLASS Ea)
- ANSI/TIA-568.2-D (CAT6A)
- ANSI/TIA-568.2-D (CAT6A)
- IEC 60512-99-002 - mating and un-mating under load
- IEEE 802.3bt PoE ++ - Type 1 (15.4 Watts) Type 2 (30 Watts), Type 3 (60 Watts), Type 4 (90 Watts)
- EN 50173-1

Technical Data

Electrical Specification	
Insulation Resistance	Minimum 500 MΩ
DC Current Rating	1.5 Amps
Input to Output DC Resistance	Maximum 100MΩ
Contact Resistance	Maximum 20MΩ
Voltage Proof (Contact to Contact)	1000 V AC
Voltage Proof (Contact to Shield)	1500 V DC

Environmental Specification	
Operating Temp	-10°C to 60°C
Storage Temp	-40°C to 68°C
Humidity	10% to 90% RH (non-condensing)

General Specification			
Style	Tool-Free Modular Plug		
Dimensions (mm)	H	W	D
	20	15	58
Compatible Products	HellermannTyton CAT6A Cable & Connectivity		
Weight (g)	20		
Box Quality	12 pcs		
Available Colours	Silver		
Item Code	HTC-C6AS-MP12		



HTC Series CAT6A Field Termination Plug



HTC Series CAT6A Field Termination Plug

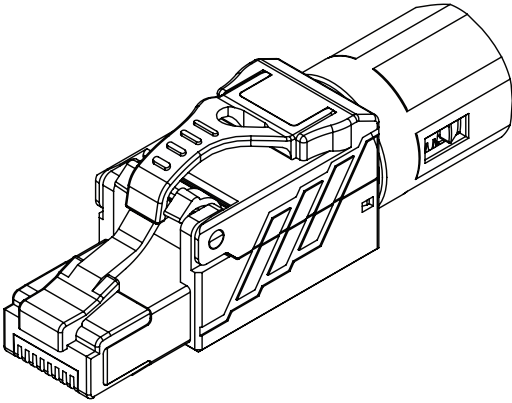


HTC Series CAT6A Field Termination Plug

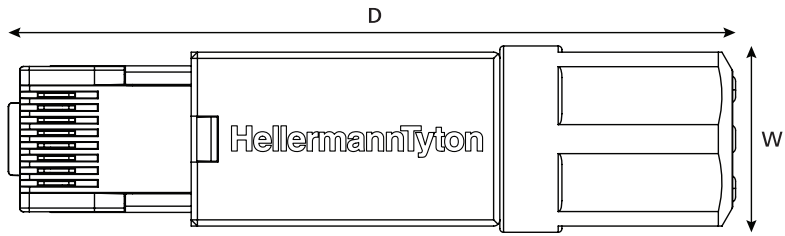
Physical Specification	
Insertion Life	Minimum 750 mating Cycles
Plug Retention Force	Minimum 11LBF
IDC Durability	Minimum 20 termination Cycles
Conductor	Solid 22-26 AWG Solid or Stranded
Connector Type	RJ-45 8P8C Plug

Material Specification	
Keystone Housing	Die-Cast Zinc Alloy
Jack Contacts	Phosphor Bronze, 50u" Gold Plating
IDC Terminals	Phosphor Bronze, tin plated

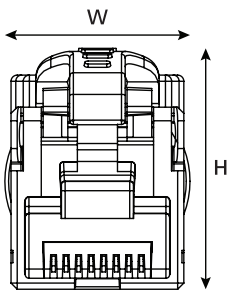
Technical Diagrams



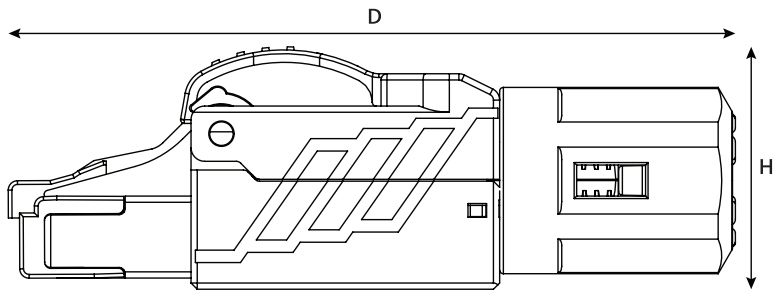
HTC Series CAT6A Field Termination Plug



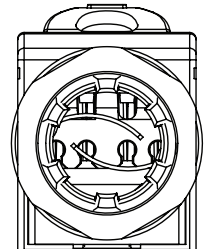
Top view



Front view



Side view



Rear view