



GST Category 5e UTP

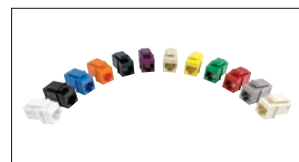
Keystone Jack

Application/Product Description

The Category 5e GST unshielded Keystone Jacks are designed to support Ethernet 10BASE-T, 100BASE-T (Fast Ethernet), 155 Mb/s ATM, Token Ring 4/16, voice/data systems and Voice over Internet Protocol (VoIP) systems running over a Category 5e cabling system and is backwards compatible with existing Category 5 and voice network infrastructures.



Category 5e UTP GST Jack in Black



Range of 12 GST Jack Colours

Technical Data

| | | | |
|-----------------------------|---|------|------|
| Specification | Category 5e | | |
| Conformance | <ul style="list-style-type: none"> • ISO 11801:2002 (inc. Amend. A1 & A2) • BS EN 50173 • ANSI/TIA/EIA 568-C.2 | | |
| Wiring Specification | 568A/B | | |
| Dimensions (mm) | H | W | D |
| | 23.3 | 16.5 | 38.0 |
| Weight (g) | 6 | | |
| Outlet Style | RJ45 | | |
| RJ45 Jack Life | Minimum Insertions 1000 | | |
| Punch Down Blocks | IDC | | |
| IDC Life | Minimum 50 re-terminations | | |
| Wire Gauge | 22-24 AWG (Maximum of 2 wires per contact). | | |

| | | | | | | | | | | | | | |
|----------------------|---|-------|------|-------|-------|------|-------|--------------|--------|-----|--------|--------|--|
| Material | | | | | | | | | | | | | |
| Modular Jack Housing | Polycarbonate | | | | | | | | | | | | |
| Housing Colour | White | Black | Blue | Brown | Green | Grey | Ivory | Office White | Orange | Red | Violet | Yellow | |
| Contacts | Phosphor Bronze Nickel Plated with Selective Gold | | | | | | | | | | | | |

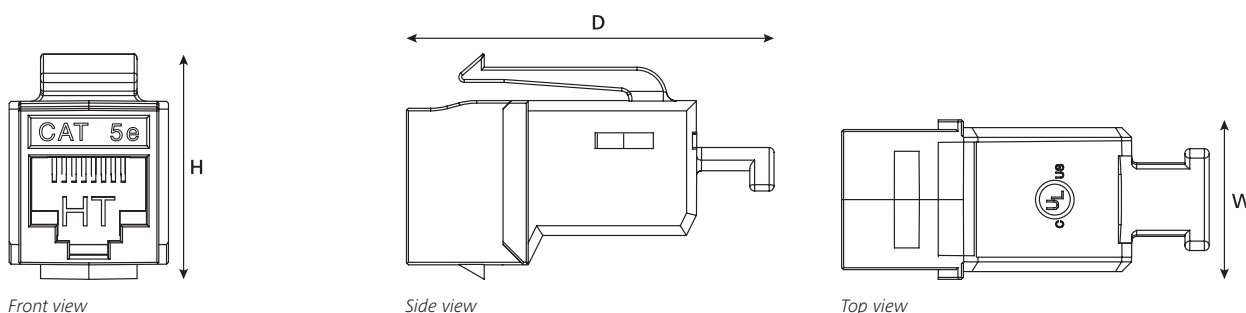


Performance Characteristics

| Frequency (MHz) | | 1 | 10 | 100 |
|------------------|---------|------|------|------|
| Insertion Loss | Spec | 3.0 | 6.2 | 21.0 |
| | Typical | 2.0 | 5.3 | 17.2 |
| NEXT (dB) | Spec | 60.0 | 48.5 | 32.3 |
| | Typical | 82.9 | 71.4 | 52.3 |
| ACR-N (dB) | Spec | 57.0 | 42.3 | 11.3 |
| | Typical | 80.9 | 66.0 | 35.1 |
| Return Loss (dB) | Spec | 19.0 | 19.0 | 12.0 |
| | Typical | 25.7 | 43.6 | 34.2 |
| PS NEXT (dB) | Spec | 57.0 | 45.5 | 29.3 |
| | Typical | 77.3 | 65.4 | 46.6 |
| PS ACR-N (dB) | Spec | 54.0 | 39.3 | 8.3 |
| | Typical | 75.3 | 60.1 | 29.5 |
| ACR-F (dB) | Spec | 58.6 | 38.6 | 18.6 |
| | Typical | 78.9 | 60.2 | 41.2 |
| PS ACR-F (dB) | Spec | 55.6 | 35.6 | 15.6 |
| | Typical | 73.3 | 54.1 | 35.4 |

*Typical values are for permanent link tests when using the complete HellermannTyton Data System.

Technical Diagrams



This document is subject to change without notice.
The current version available from www.htdata.co.uk/site/products/data-outlets