



# 6

## LAN Connectivity Data Outlets

### 6C Category 6 UTP

#### Angled Outlet

#### Application/Product Description

The 6C Category 6 unshielded angled outlet is designed to support Ethernet 10BASE-T, 100BASE-T (Fast Ethernet), 1000BASE-T (Gigabit Ethernet), 155 Mb/s ATM, Token Ring 4/16, voice/data systems and Voice over Internet Protocol (VoIP) systems running over a Category 6 cabling system and is backwards compatible with existing Category 5e, Category 5 and voice network infrastructures.



6C Category 6 UTP Angled Outlet

#### Technical Data

<b>Specification</b>	Category 6		
<b>Conformance</b>	<ul style="list-style-type: none"> <li>• ISO 11801:2002 (inc. Amend. A1 &amp; A2)</li> <li>• BS EN 50173</li> <li>• ANSI/TIA/EIA 568-C.2</li> </ul>		
<b>Wiring Specification</b>	568A/B		
<b>Dimensions (mm)</b>	H	W	D
	39.0	25.0	44.0
<b>Weight (g)</b>	14		
<b>Outlet Style</b>	RJ45		
<b>RJ45 Jack Life</b>	Minimum Insertions 1000		
<b>Punch Down Blocks</b>	IDC		
<b>IDC Life</b>	Minimum 50 re-terminations		
<b>Wire Gauge</b>	22-24 AWG (Maximum of 2 wires per contact).		

<b>Material</b>	
Modular Jack Housing	ABS/Nylon
Housing Colour	White
Contacts	Phosphor Bronze Nickel Plated with Selective Gold

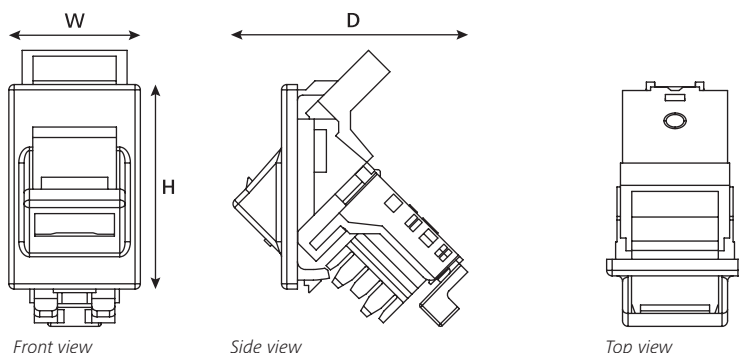
#### Performance Characteristics

Frequency (MHz)		1	100	250
Insertion Loss	Spec	3.0	18.6	31.1
	Typical	1.6	16.7	27.7
NEXT (dB)	Spec	65.0	41.8	35.3
	Typical	88.6	63.9	48.8
ACR-N (dB)	Spec	62.0	23.3	4.2
	Typical	87.0	47.2	21.1
Return Loss (dB)	Spec	19.1	14.0	10.0
	Typical	29.4	27.5	18.8
PS NEXT (dB)	Spec	62.0	39.3	32.7
	Typical	82.9	58.8	43.4
PS ACR-N (dB)	Spec	59.0	20.7	1.6
	Typical	81.2	42.1	15.7
ACR-F (dB)	Spec	64.2	24.2	16.2
	Typical	81.7	42.1	36.2
PS ACR-F (dB)	Spec	61.2	21.2	13.2
	Typical	76.8	37.0	30.8

\*Typical values are for permanent link tests when using the complete HellermannTyton Data System.



## Technical Diagrams



## 6C Accessories

## 6C Blanks



6C Category Half Blanks

## Technical Data

<b>Style</b>	Half Blank		
<b>Dimensions (mm)</b>	H	W	D
	38	25	11
<b>Weight (g)</b>	2.8		
<b>Material</b>	ABS		
<b>Colour</b>	White		

## Angled Module



6C Category Angled Module

## Technical Data

<b>Dimensions (mm)</b>	H	W	D
	38	25	20
<b>Weight (g)</b>	5.7		
<b>Material</b>	ABS		
<b>Colour</b>	White		

## Adaptor Module



6C Category Angled Module

## Technical Data

<b>Dimensions (mm)</b>	H	W	D
	50.0	50.0	8.0
<b>Weight (g)</b>	3.7		
<b>Material</b>	ABS		
<b>Colour</b>	White		

This document is subject to change without notice.  
The current version available from [www.htdata.co.uk/site/products/data-outlets](http://www.htdata.co.uk/site/products/data-outlets)