



# 6

## LAN Connectivity Data Outlets

### GST Category 6 UTP

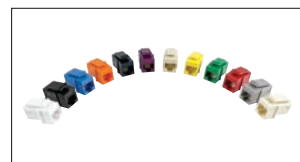
#### Keystone Jack

#### Application/Product Description

The Category 6 GST unshielded Keystone Jacks are designed to support Ethernet 10BASE-T, 100BASE-T (Fast Ethernet), 1000BASE-T (Gigabit Ethernet), 155 Mb/s ATM, Token Ring 4/16, voice/data systems and Voice over Internet Protocol (VoIP) systems running over a Category 6 cabling system and is backwards compatible with existing Category 5e, Category 5 and voice network infrastructures.



Category 6 UTP GST Jacks

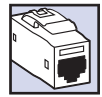


Range of 12 GST Jack Colours

#### Technical Data

<b>Specification</b>	Category 6		
<b>Conformance</b>	<ul style="list-style-type: none"> <li>• ISO 11801:2002 (inc. Amend. A1 &amp; A2)</li> <li>• BS EN 50173</li> <li>• ANSI/TIA/EIA 568-C.2</li> </ul>		
<b>Wiring Specification</b>	568A/B		
<b>Dimensions (mm)</b>	H	W	D
	23.3	16.5	38.0
<b>Weight (g)</b>	6		
<b>Outlet Style</b>	RJ45		
<b>RJ45 Jack Life</b>	Minimum Insertions 1000		
<b>Punch Down Blocks</b>	IDC		
<b>IDC Life</b>	Minimum 50 re-terminations		
<b>Wire Gauge</b>	22-24 AWG (Maximum of 2 wires per contact).		

<b>Material</b>												
Modular Jack Housing	Polycarbonate											
Housing Colour	White	Black	Blue	Brown	Green	Grey	Ivory	Office White	Orange	Red	Violet	Yellow
Contacts	Phosphor Bronze Nickel Plated with Selective Gold											

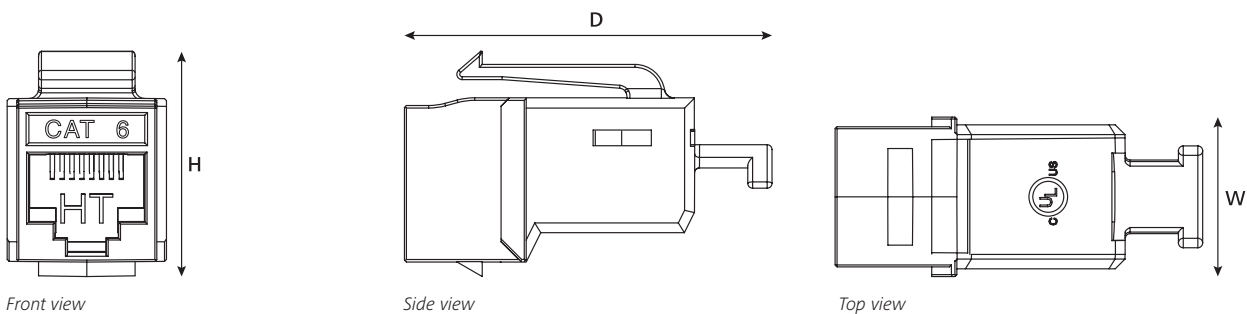


## Performance Characteristics

Frequency (MHz)		1	100	250
Insertion Loss	Spec	3.0	18.6	31.1
	Typical	1.8	16.8	27.9
NEXT (dB)	Spec	65.0	41.8	35.3
	Typical	86.9	59.8	47.5
ACR-N (dB)	Spec	62.0	23.3	4.2
	Typical	85.1	43.0	19.6
Return Loss (dB)	Spec	19.1	14.0	10.0
	Typical	27.4	27.6	22.3
PS NEXT (dB)	Spec	62.0	39.3	32.7
	Typical	81.8	54.2	41.9
PS ACR-N (dB)	Spec	59.0	20.7	1.6
	Typical	80.0	37.3	14.0
ACR-F (dB)	Spec	64.2	24.2	16.2
	Typical	82.1	44.7	36.7
PS ACR-F (dB)	Spec	61.2	21.2	13.2
	Typical	77.1	39.3	31.4

\*Typical values are for permanent link tests when using the complete HellermannTyton Data System.

## Technical Diagrams



Front view

Side view

Top view

This document is subject to change without notice.  
The current version available from [www.htdata.co.uk/site/products/data-outlets](http://www.htdata.co.uk/site/products/data-outlets)