



GST Category 6A UTP

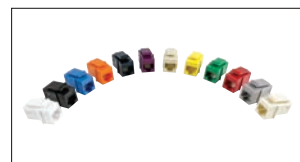
Keystone Jack

Application/Product Description

Category 6A GST unshielded outlets are designed to support Ethernet 10BASE-T, 100BASE-T (Fast Ethernet), 1000BASE-T (Gigabit Ethernet), 10GBASE-T (10 Gigabit Ethernet), 155 Mb/s ATM, Token Ring 4/16, voice/data systems and Voice over Internet Protocol (VoIP) systems running over a Category 6A cabling system and is backwards compatible with existing Category 6, Category 5e, Category 5 and voice network infrastructures.



Category 6A UTP GST Jacks



Range of 12 GST Jack Colours

Technical Data

Specification	Category 6A		
Conformance	<ul style="list-style-type: none"> • ISO 11801:2002 (inc. Amend. A1 & A2) • BS EN 50173 • ANSI/TIA/EIA 568-C.2 		
Wiring Specification	568A/B		
Dimensions (mm)	H	W	D
	23.3	16.5	38.0
Weight (g)	6.0		
Outlet Style	RJ45		
RJ45 Jack Life	Minimum Insertions 1000		
Punch Down Blocks	IDC		
IDC Life	Minimum 50 re-terminations		
Wire Gauge	22-24 AWG (Maximum of 2 wires per contact).		

Material												
Modular Jack Housing	Polycarbonate											
Housing Colour	White	Black	Blue	Brown	Green	Grey	Ivory	Office White	Orange	Red	Violet	Yellow
Contacts	Phosphor Bronze Nickel Plated with Selective Gold											

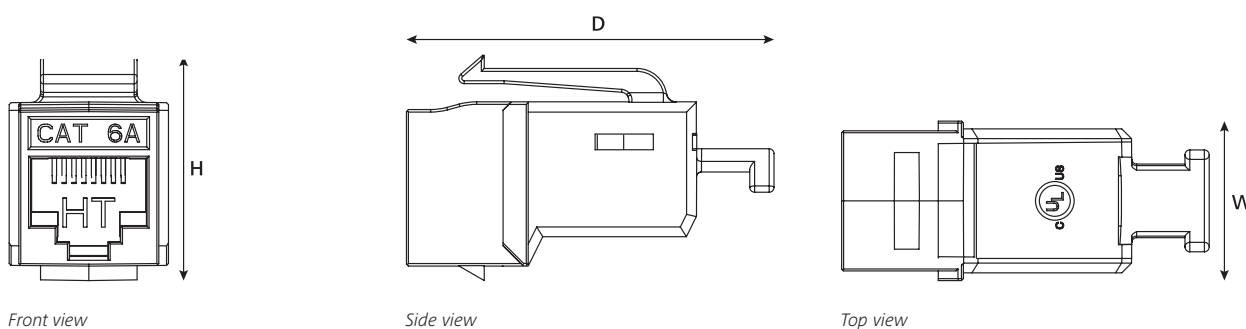


Performance Characteristics

Frequency (MHz)		1	250	500
Insertion Loss	Spec	3.0	29.5	43.8
	Typical	2.4	28.4	41.3
NEXT (dB)	Spec	65.0	35.3	26.7
	Typical	89.4	50.9	40.4
ACR-N (dB)	Spec	62.0	5.8	-17.1
	Typical	87.0	22.3	-1.0
Return Loss (dB)	Spec	19.1	10.0	8.0
	Typical	25.5	23.5	16.3
PS NEXT (dB)	Spec	62.0	32.7	23.8
	Typical	84.2	44.2	34.0
PS ACR-N (dB)	Spec	59.0	3.2	-20.0
	Typical	81.8	15.8	-7.3
ACR-F (dB)	Spec	64.2	16.2	10.2
	Typical	84.2	45.2	35.4
PS ACR-F (dB)	Spec	61.2	13.2	7.2
	Typical	77.6	39.4	27.5

*Typical values are for permanent link tests when using the complete HellermannTyton Data System.

Technical Diagrams



This document is subject to change without notice.
The current version available from www.htdata.co.uk/site/products/data-outlets