



Category 6A LSOH Unshielded

Patch Leads

Application/Product Description

HellermannTyton Category 6A unshielded patch leads are designed and tested to support Primary (Campus), Secondary (Riser) and Tertiary (Horizontal) applications for 10Base-T (Ethernet), 100Base-T (Fast Ethernet), 1000Base-T (Gigabit Ethernet), 10GBase-T (10-Gigabit Ethernet), PoE and PoE+.

When used with HellermannTyton Category 6A unshielded cables, patch panels and outlets the combined performance exceeds Category 6A/ Class EA link and channel requirements.

The patch leads are supplied standard 1m, 2m, 3m, 5m lengths in grey, other lengths and colours are available on request.



Category 6A LSOH Unshielded Patch Leads

Technical Data

Electrical Characteristics @ 20°C	Specification
DC Loop Resistance	145Ω/km
Resistance Unbalance	2%
Insulation Resistance	5000MΩ/km
Capacitance Unbalance (pair to ground)	≤1600pF/km
Delay Skew	45ns/100m
NVP (Nominal Velocity of Propagation)	65%

Cable Standards

Cable

- BS EN 50173
- ISO 11801:2002 (inc. Amend. A1 & A2)
- ANSI/TIA/EIA 568-C.2
- IEC 61156-6

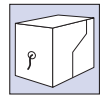
Cable Sheath

- IEC 60332-1

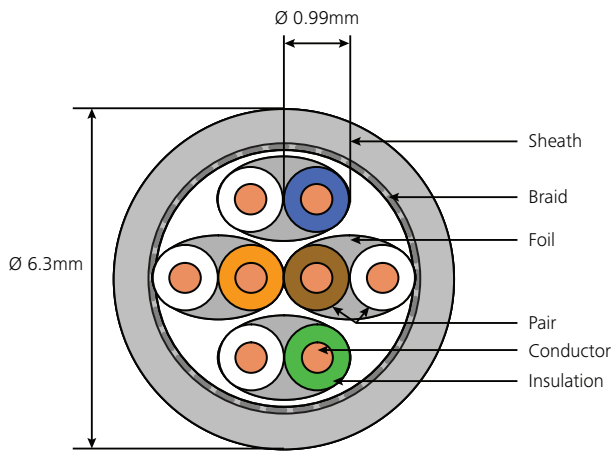
Performance Characteristics

Frequency (MHz)		1	250	500
NEXT (dB)	Spec	65.0	38.7	31.0
	Typical	93.0	49.4	41.0
Return Loss (dB)	Spec	19.8	14.0	9.5
	Typical	28.2	29.6	17.0

*Typical values based on a 2m patch lead.



Cable Construction



Product Performance	
Core	
Core Conductor:	26 AWG Stranded Copper Wire
Conductor Diameter:	0.155±0.02mm
Insulation:	Foam PE
Insulation Diameter:	0.99mm ± 0.05mm
Twisting:	2 cores to the pair
Pair Colour:	Blue-White/Blue, Orange-White/Orange, Green-White/Green, Brown-White/Brown
Final Assembly	
Cable	4 pairs to the core
Sheath	LSOH Grey
Outer Diameter	6.3mm ± 0.3mm
Mechanical and Environmental	
Temp. Operation	-20°C to +75°C
Min. Bend Radius	
During Installation:	8 x outer diameter
During Operation:	12 x outer diameter
Max. Tensile Force:	
During Installation	80N
Packaged Weight	42kg/km

This document is subject to change without notice.
The current version available from www.htdata.co.uk/site/products/cable