



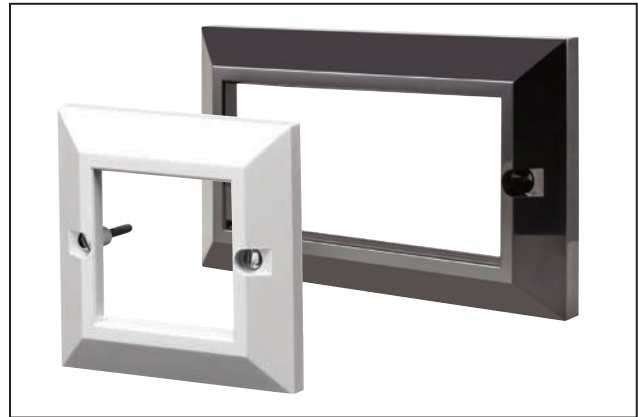
Easy Clip Faceplates

Flat and Bevelled

Application/Product Description

The flat single faceplate accepts 2 single Easy Clip modules, the double faceplate 4 single Easy Clip modules.

The Easy Clip Faceplate is made from white ABS plastic which is fire retardant and completes any installation with a professional look.



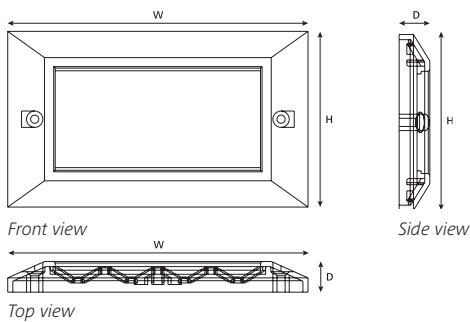
Easy Clip Single and Double Faceplates (Bevelled shown)

Technical Data

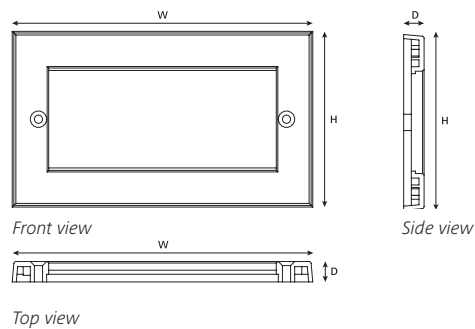
Style	Bevelled						Flat					
	Double Gang			Single Gang			Double Gang			Single Gang		
Dimensions (mm)	H	W	D	H	W	D	H	W	D	H	W	D
	86.0	147.0	10.0	86.0	86.0	10.0	86.0	147.0	10.0	86.0	86.0	10.0
No of Outlets	Single		Triple		Single		Triple		Single		Triple	
	4		2		2		1		4		2	
Outlet Style	Easy Clip											
Weight (g)	34.0			23.3			37.1			23.8		
Materials	ABS											
Colour	White						White					

Technical Diagrams

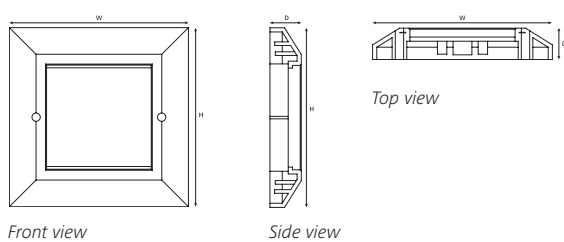
Double Bevelled



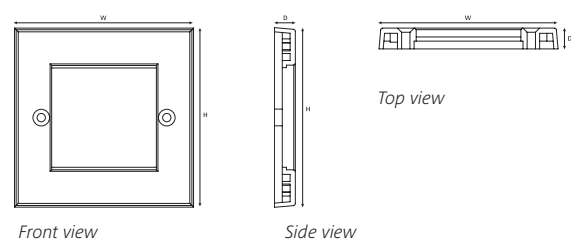
Double Flat



Single Bevelled



Single Flat



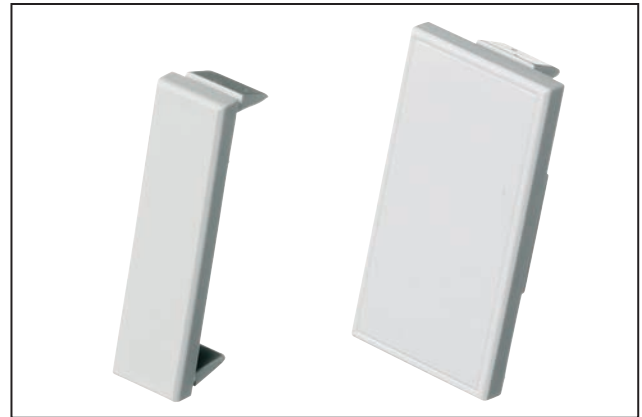


Easy Clip Blanks

Quarter and Half Blanks

Application/Product Description

The Easy Clip Quarter and Half Blanks fit into both the bevelled and flat Easy Clip Faceplates, providing a professional finish where any spaces may be left. The blanks can be simply removed if additional outlets are required in the future.



Easy Clip Quarter and Half Blanks

Technical Data

Style	Quarter Blank			Half Blank		
Dimensions (mm)	H	W	D	H	W	D
	50.0	25.0	14.0	50.0	12.5	14.0
Weight (g)	4.1			2.4		
Materials	ABS					
Colour	White					

Easy Clip Module

Angled

Application/Product Description

The Easy Clip angled module is a low profile module that has been developed to give the user a reliable cabling outlet that reduces the space required both in front and behind the outlet.

Designed for use in the floor box to prevent crushing of the patch lead as it exits the outlet, it is equally at home in a wall or desk outlet. The Easy Clip angled module fits into all Easy Clip Face plates.



Easy Clip Angled Module

Technical Data

Dimensions (mm)	H	W	D
	50 mm	25 mm	27 mm
Weight (g)	9.9		
Materials	ABS		
Colour	White		

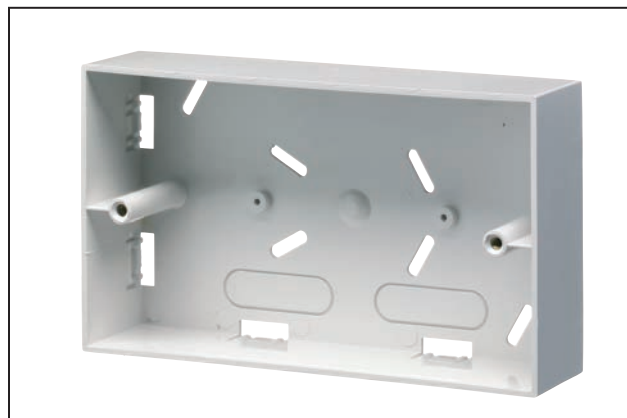


Easy Clip Back Boxes

Double and Single

Application/Product Description

The Easy Clip Single and Double Back Boxes are designed to work with all double and single face plates. The back boxes are wall mountable and have multiple punch-out cable entry points.



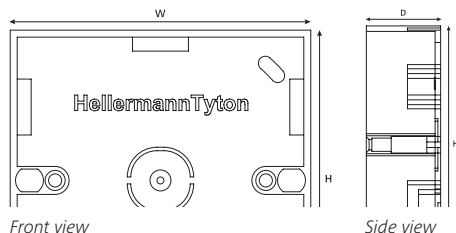
Double Back Box

Technical Data

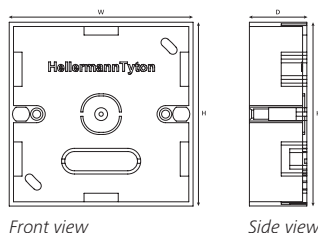
Style	Double 37mm			Single 37mm			Single 27mm		
Dimensions (mm)	H	W	D	H	W	D	H	W	D
	86.0	147.0	37.0	86.0	86.0	37.0	86.0	86.0	27.0
Weight (g)	59.0			41.4			33.2		
Materials	ABS								
Colour	White								

Technical Diagrams

Double 37mm



Single 27mm



Single 37mm

