



MegaBand Faceplates

Flat

Application/Product Description

The flat single faceplate accepts 2 single MegaBand modules, the double faceplate accepts 4 single MegaBand modules MegaBand module.

The MegaBand Faceplate is made from white ABS plastic which is fire retardant and completes any installation with a professional look.



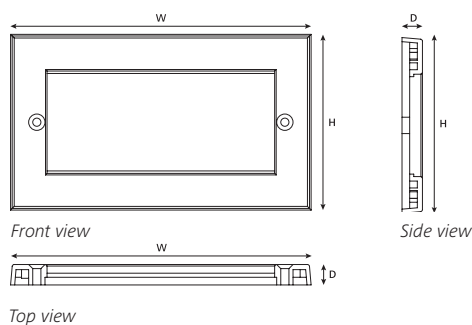
MegaBand Single and Double Faceplates

Technical Data

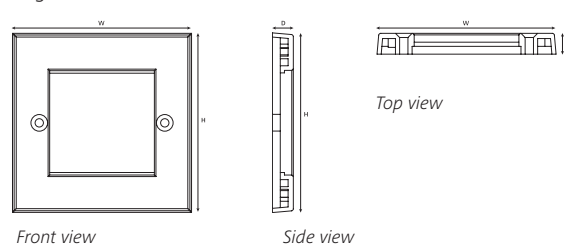
Style	Flat					
	Double Gang			Single Gang		
Dimensions (mm)	H	W	D	H	W	D
	86.0	147.0	10.0	86.0	86.0	10.0
No of Outlets	Single			Single		
	4			2		
Outlet Style	MegaBand					
Weight (g)	34.0			23.8		
Materials	ABS					
Colour	White					

Technical Diagrams

Double Flat



Single Flat





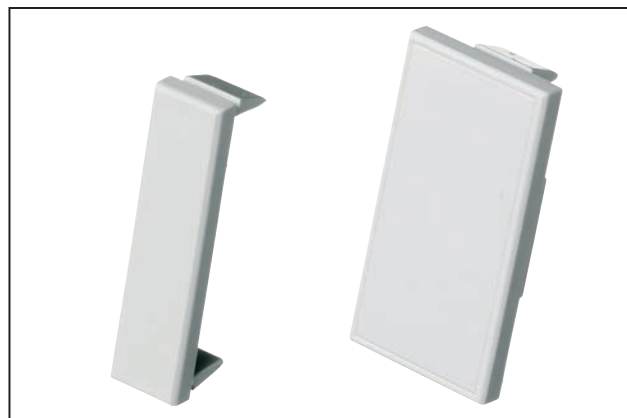
MegaBand Blanks

Quarter and Half Blanks

Application/Product Description

The MegaBand Quarter and Half Blank fits into the MegaBand Faceplates, providing a professional finish where any spaces may be left.

The blanks can be simply removed if additional outlets are required in the future.



MegaBand Quarter and Half Blanks

Technical Data

Style	Quarter Blank			Half Blank		
Dimensions (mm)	H	W	D	H	W	D
	50.0	25.0	14.0	50.0	12.5	14.0
Weight (g)	4.1			2.4		
Materials	ABS					
Colour	White					

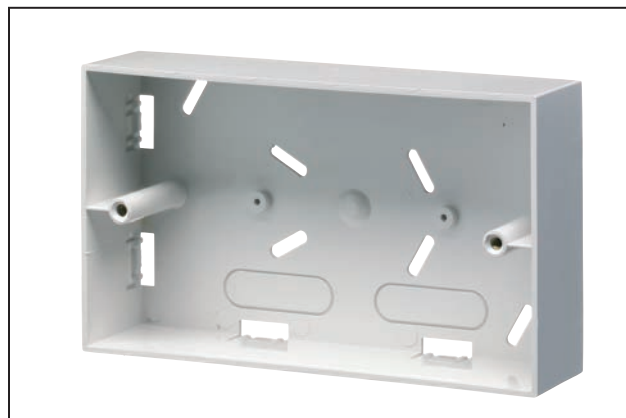


MegaBand Back Boxes

Double and Single

Application/Product Description

The MegaBand Single and Double Back Boxes are designed to work with all double and single face plates. The back boxes are wall mountable and have multiple punch-out cable entry points.



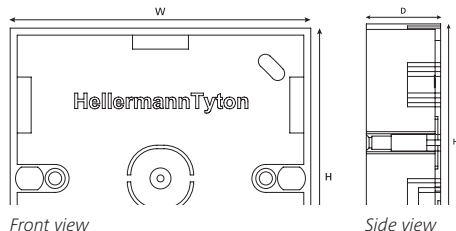
Double Back Box

Technical Data

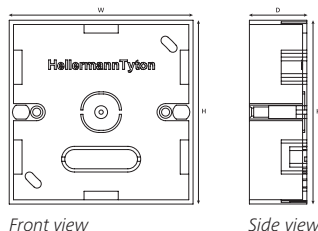
Style	Double 37mm			Single 37mm			Single 27mm		
Dimensions (mm)	H	W	D	H	W	D	H	W	D
	86.0	147.0	37.0	86.0	86.0	37.0	86.0	86.0	27.0
Weight (g)	59.0			41.4			33.2		
Materials	ABS								
Colour	White								

Technical Diagrams

Double 37mm



Single 27mm



Single 37mm

