

CEP 101 Clip-on Adaptor

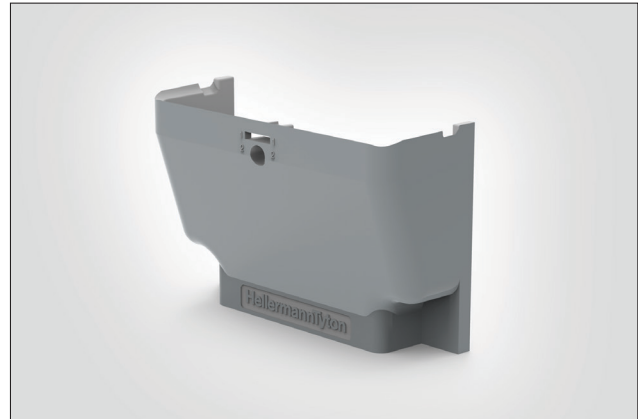
Application Information

The CEP 101 Adaptor has been designed by HellermannTyton to be clipped directly to the Customer Entry Point (CEP) enclosure, without using any screws.

Product Description

This adaptor fits at the base of the CEP Enclosure and at the top of the Openreach 101A duct.

Manufactured in grey RAL7040 PC-ABS, the CEP Adaptor is UV stabilised.



CEP 101 Clip-on Adaptor.



CEP 101 Clip-on Adaptor (shown with CEP).

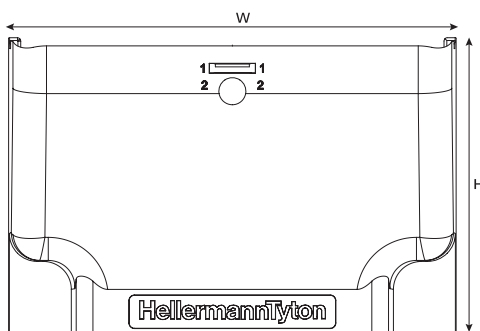
Features and Benefits:

- Hides and protects fibre cable
- Compatible with the CEP Enclosure and Openreach 101A Duct
- Discreet wall-mounted accessory
- Protection from water ingress
- UV Stable

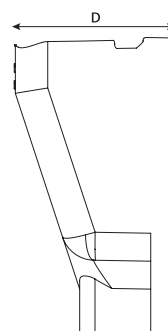
Technical Data

Dimensions (mm)	H	W	D
	53	80	28
Material	PC-ABS		
Part Code	CEP-101ADAPT		

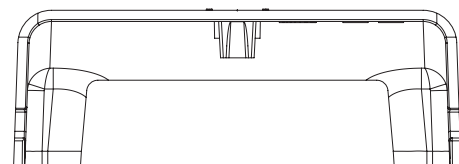
Technical Diagrams



CEP 101 Clip-on Adaptor (front view).



CEP 101 Clip-on Adaptor (side view).



CEP 101 Clip-on Adaptor (top view).