

Installation Brackets

Install Jig for Dome Closures

Application/Product Description

The installation jig is designed for securing the HellermannTyton range of broadband dome closures and can be positioned either horizontally or vertically providing the best access possible during installation or maintenance.

The installation jig is supplied with a single set of adjustable clamping jaws which accommodate the full range of dome closures from the UFC to the FST.

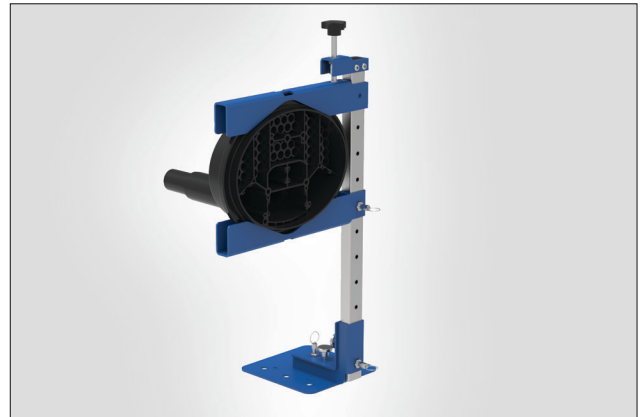
It can be clamped to a suitable workbench surface or bolted/screwed in place using the mounting holes provided and is manufactured from stainless steel.

Technical Data

Dimensions (mm)	H	W	W2	D
	570	224	625	347
Material	Stainless Steel			

Features and Benefits

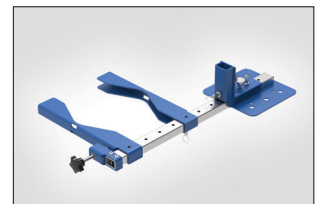
- Suitable for use with all HellermannTyton closures
- Simple and quick to use
- Vertical or horizontal orientation possible
- Manufactured from Stainless Steel



Installation Jig for Dome Closures shown in vertical position with FDN base.



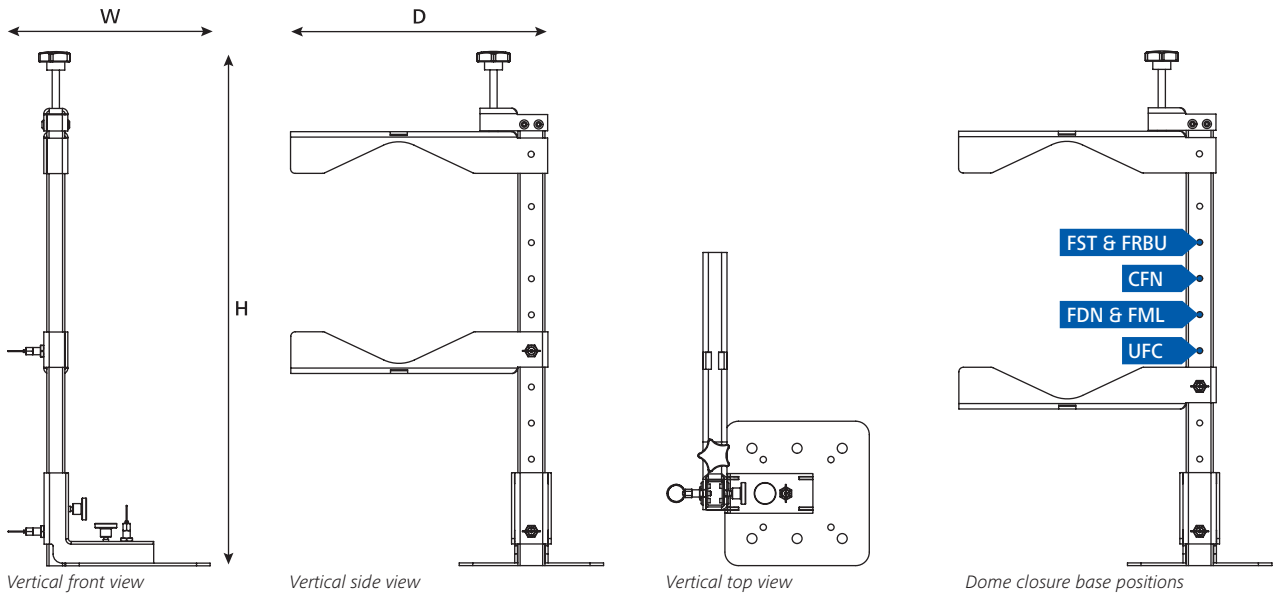
Installation Jig for Dome Closures shown in vertical position.



Installation Jig for Dome Closures shown in horizontal position.

Technical Diagrams

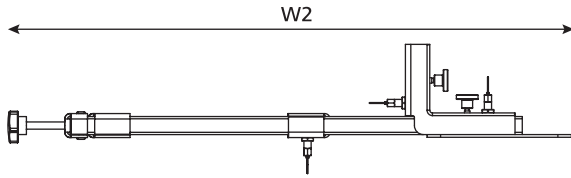
Vertical assembly



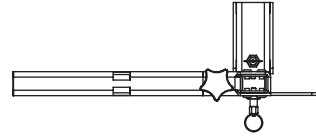


Technical Diagrams

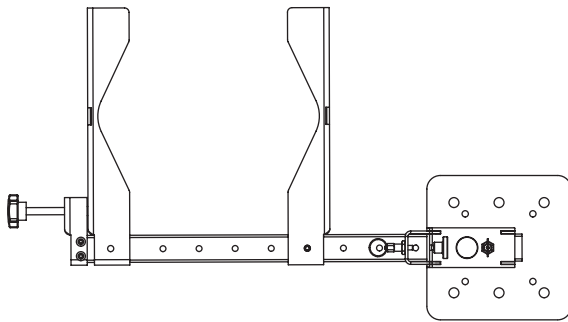
Horizontal assembly



Horizontal front view



Horizontal side view



Horizontal top view