

MB-AFN/FFE-PB001

AFN/FFE Pole Mounting Bracket

Application Information

A pole mounting bracket designed for use in aerial applications for the HellermannTyton Aerial Fibre Node (AFN) and Fibre Facade (FFE) enclosures.

Product Description

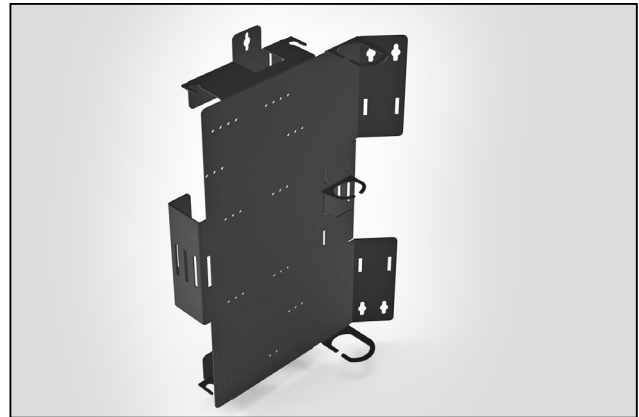
The MB-AFN/FFE-PB001 mounting bracket is manufactured from powder coated stainless steel and has been designed to offer the option of being mounted at an angle or flat straight on to the pole. Separate offset screw fixing or strap mounting points for angled and flat orientation allow for a quick and easy fix to the pole. Multiple mounting positions have been designed in to the bracket for the enclosure, 4 for the AFN and 3 for the FFE, to allow for accurate positioning and cable management.

The bracket can also be mounted upside down. This allows two brackets to be fitted side by side whilst maintaining all of the fibre management features.

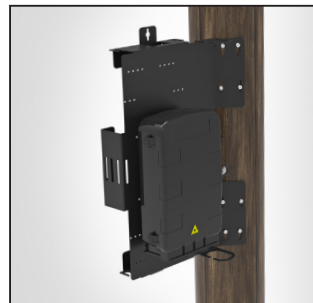
Retaining hooks and cable anchor points are provided to manage the incoming duct/cables as they transition from the loop storage area in to the AFN/FFE. The loop storage area will manage up to 30m of 5mm duct or cable and three drop cable hooks and velcro cable tie fixing points offer duct/cable management and support for a maximum of 12 x 6mm duct/drop cable.

Features & Benefits

- Suitable for use with the AFN & FFE enclosures
- Angled or flat mounting on to pole
- Cable management for a maximum of 12 x 6mm duct/drop cables
- Cable retention hooks and loop storage for incoming cables
- Multiple mounting positions for each enclosure type:
 - AFN – 4 positions
 - FFE – 3 positions
- Offset fixing points for ease of installation



MB-AFN/FFE-PB001 Mounting Bracket.



Mounting Bracket with FFE mounted angled on the pole (position 2)

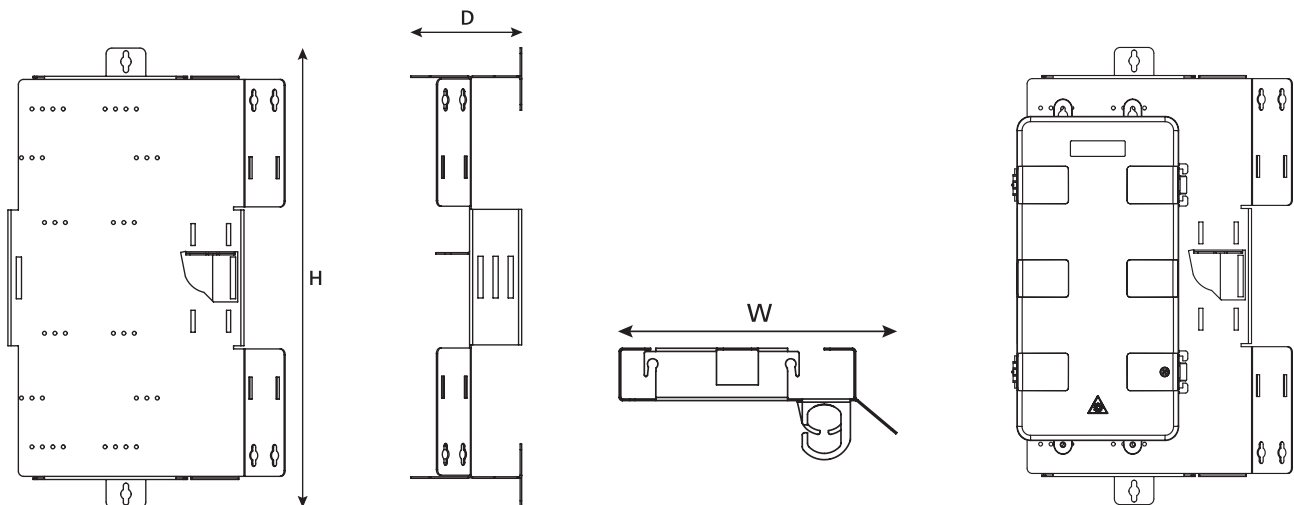


Mounting Bracket with AFN mounted flat on the pole

Technical Data

Dimensions (mm)	H	D	W
	440	106	266
Material	Powder Coated Stainless Steel		
Colour	Black		

Technical Diagrams



Front View

Side View

Top View

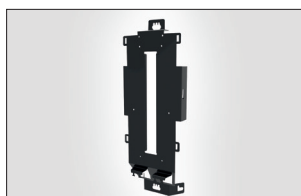
Front View shown with Aerial Fibre Node



Mounting Bracket Comparison Chart

PART CODE	Outdoor	Indoor	Application		Product		Loop Storage	Colour	Unique Feature
			Pole	Facade / Wall	AFN	FFE			
Single Enclosure Brackets									
MB-AFN/FFE-PB001	✓	✓	✓	✗	✓	✓	✓	Black	- Fits 2 different enclosure sizes
MB-AFN/FFE-PWB-001	✓	✓	✓	✗	✓	✓	✓	Black	- Storage for up to 10m of Ultra Light Weight Cable
MB-AFN-PWB/BK-400MM	✓	✓	✓	✓	✓	✗	✓		- Loop storage on inside of bracket - Easier to use loop basket after installation - Shorter than the 2 above brackets
Multiple Enclosure Brackets									
MB-AFN-DUAL-BRKT requires 2 x MB-AFN-PWB/BK-400MM	✓	✗	✓	✗	✓	✗	✓	Black	- Fits 2 different enclosure sizes - Maximises space on the pole by holding 2 brackets - Easier to use inside loop baskets after installation
MB-AFN/FFE-V-BRKT-V2	✓	✗	✓	✗	✓	✓	✗		- Maximises space on the pole by holding 2 enclosures - Lightweight bracket

Associated Products See separate datasheets for more information.



MB-AFN/FFE-PWB-001
AFN/FFE pole mounting bracket.



MB-AFN-PWB/BK-400MM
AFN 400mm pole/wall mounting bracket.



MB-AFN/FFE-V-BRKT-V2
Lightweight 400mm V Bracket.



MB-AFN-DUAL-BRKT
Dual pole mounting bracket for the AFN.