



## Fibre Facade Enclosure

### LC or SC Adaptors

### Application Information

The Fibre Facade Enclosure provides a cost effective secure solution for installing pre-terminated drop cables in Fibre to the Home (FTTH) applications. The enclosure has been designed to physically separate the feeder cable 250µm fibres, which will be spliced by a skilled technician at the initial install, from the pre-terminated connectorised drop cables which may be installed at a later date and are likely to be completed by a lower skilled installer. It can be mounted aerially or at ground level to deliver up to 8 drop cable customer connections.

### Product Description

The Fibre Facade Enclosure is an IP55/IK09 rated enclosure manufactured from UV stabilised polymer. Features are included to provide for mounting on a pole or building facade. The enclosure can be supplied in 3 colours (black, white or brick red) and has provision for a moulded customer logo if required.

The enclosure consists of 3 separate fibre management areas:

#### - Inbound Cable Management

The lower section of the enclosure has 2 dedicated entry ports with strain relief for incoming feeder cables which may be looped through. This area provides positive fibre management and loop storage for a maximum of 144 fibres.

#### - Fibre Splice Management Area

A dedicated splice management tray sits above the fibre storage area and has capacity for up to 12 x 3A heatshrink splices (24 if double stacked), with a maximum splice protector length of 60mm. The tray provides separate fibre management areas for 250µm fibres and 900µm pigtails whilst maintaining 30mm minimum bend radius throughout.

#### - Drop Cable Management

The drop cable management area consists of a removable upper fibre management tray which presents 8 SC simplex or LC simplex adaptors for connection to industry standard pre-terminated drop cables and prevents access to the lower splicing area when in place. Fibre management is provided on the underside of the tray for 900µm pigtails allowing the spare cable to be maintained separately from the 250µm feeder cable fibres. Retaining features allow a PLC splitter to be mounted if required. The fibre management maintains a 30mm minimum bend radius throughout with a cross over facility to allow for alternative routing requirements.

The SC or LC simplex adaptors on the customer facing side of the tray are angled and spaced to allow for inspection prior to connection. 8 anchor guides are provided for securing the drop cables. Drop cable exit ports use a simple push fit seal to ensure performance in excess of IP55.



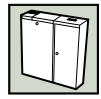
Fibre Facade Enclosure

### Features and Benefits:

- Separation of spliced feeder cable from connectorised drop cables
- 8 SC SX or 8 LC SX customer connections
- 2 inbound/8 outbound ports
- Positive fibre management (30mm min bend radius)
- IP55 and IK09 rating
- Tamper-proof
- Pole or building facade mounting features
- Low profile
- Range of colours

### Technical Data

Dimensions (mm)	D	W	H
	71.6	153.8	241
Maximum number customer connections	8 SC/PC SX or SC/APC SX or 8 LC/PC SX or LC/APC SX adaptors		
Maximum number of splices	24		
Colour	Black, White or Brick Red		
Maximum Fibre Storage	144 Fibres		
Number of Ports	2 inbound ports, 8 outbound ports		
Cable dimensions	Feeder		Drop
	7mm - 10mm or 10mm - 15mm		≤ 6.0mm



### Additional Product Images



Open View of Fibre Facade Enclosure displaying Drop Cable Management Tray

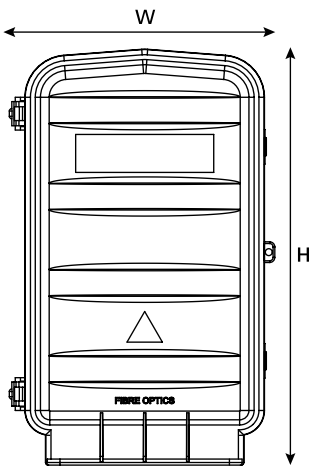


Open View of Fibre Facade Enclosure displaying dedicated Splice Management Tray

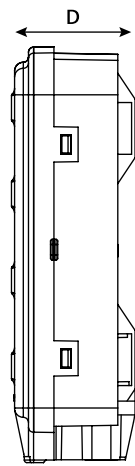


Open View of Fibre Facade Enclosure displaying fibre pigtail Management Tray

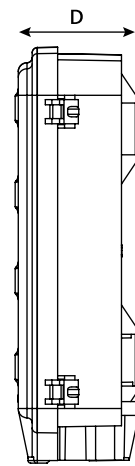
### Technical Diagrams



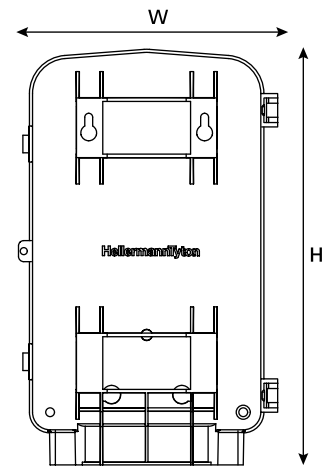
Front View



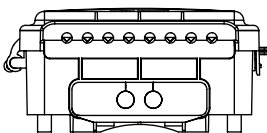
Side View



Side View (Hinge)



Rear View



Bottom View