

FDN 16 Port Closure Base



FDN 16 Port Base A-Length
Ribbon Closure

The **FDN 16 Port Base from HellermannTyton** has been developed to address demand for higher port fibre density counts and larger cables.

The base configuration of 15 round ports (for cable ends) and 1 oval port (mid span loop through) covers a cable diameter range of 4.8 – 29.0mm when using Cablelok mechanical seals and 6.0 – 35.0mm when using heatshrink.

The moulded supports on the closure allow the cover to be removed from the closure whilst it is still in-situ. Bosses moulded on the closure base provide fixing points for external cable management attachments.

The 16 Port FDN is compatible with Integrated Routing, Tubed and Ribbon fibre management systems from HellermannTyton.

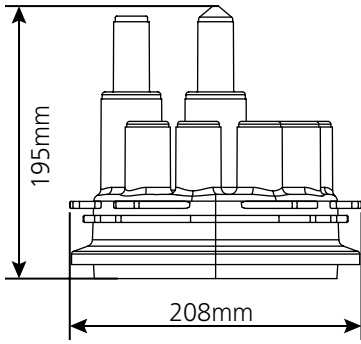
The addition of the 16 Port FDN base to the HellermannTyton range enables new applications in different parts of network design when higher fibre count or larger cables are used such as aggregation nodes.

Features and Benefits

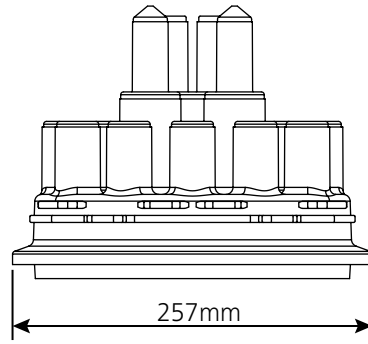
- Higher port fibre density count with 15 round ports and 1 oval port
- Cablelok Ready
- Available for Integrated Routing, Tubed and Ribbon fibre management systems
- Individual insertion points offer cable strain relief
- Port spacing provides good access for heatshrink sealing



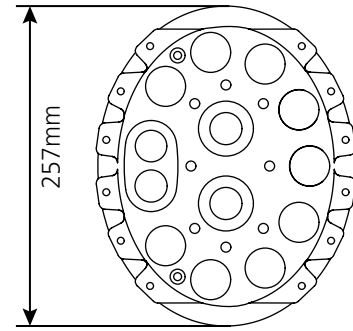
Technical Diagrams



Side View



Front View



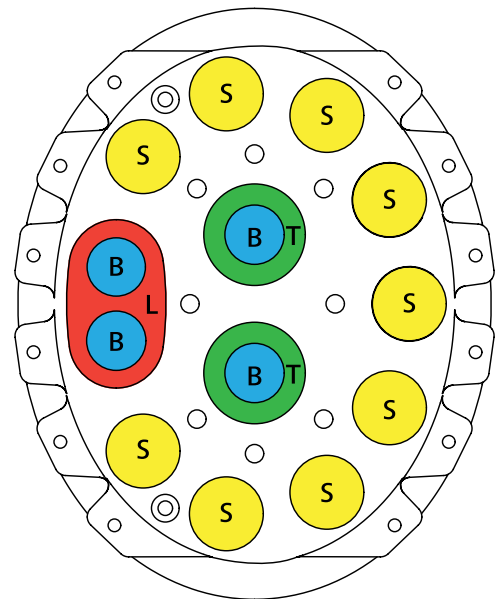
Top View

Specifications

Material	Polypropylene
Colour	Black

Port Specification

Port	Number of Ports		Cable Range (mm)	
	59	16	Cablelok	Heatshrink
L	1	1	2 x 5.5 – 20.0	2 x 12.0 – 24.0
T	2	2	15.5 – 29.0	12.0 – 35.0
S	4	9	5.0 – 20.0	12.0 – 26.0
B	2	4	4.8 – 16.5	6.0 – 19.0
R	52	-	1.7 – 9.5	-



FDN 16 Port Base Configuration

HellermannTyton

HellermannTyton Data
 Cornwell Business Park, Salthouse Road
 Brackmills, Northampton, NN4 7EX
 United Kingdom
 Tel: +44 1604 706633
 Fax: +44 1604 705454
 E-Mail: sales@htdata.co.uk
 www.htdata.co.uk