

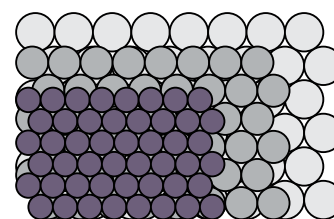
24 AWG Category 6 UTP Patch Leads (Ø 6.0mm)

26 AWG Category 6 UTP Patch Leads (Ø 5.0mm)

28 AWG Category 6 UTP Patch Leads (Ø 3.8mm)

48% space saving compared to 26AWG

64% space saving compared to 24AWG



## Slim Diameter Category 6 UTP Patch Leads

HellermannTyton have introduced a range of Category 6 (Class E) UTP, slim diameter (28 AWG) patch leads which are designed to allow increased density of cabling in containment and patching environments.

The cable diameter has been reduced by almost 50% compared to that of a standard Category 6 patch lead (24 AWG), allowing for a much higher cable density to be achieved.

The slim diameter patch lead is an excellent solution for high density applications, such as server and switch racks found in data centres, where high port counts and limited cable management can lead to poor lead management, overcrowding and service disruption. The smaller patch lead size helps alleviate congestion as well as improving airflow within the racks.

Available in white as a standard colour the slim diameter patch leads are manufactured in lengths of 1, 2, 3, 5 & 10m with additional lengths available on request.

### Features and Benefits

The slim diameter patch lead is the ideal data centre patching solution providing:

- **Increased density** – more patching can be achieved in the same space.
- **Additional flexibility** – reduced cable diameter increases cable flexibility without impairing high performance levels.
- **Improved airflow** – more unoccupied space, creating better airflow to assist cooling for active equipment such as switches and servers.



**HellermannTyton Data Ltd**  
Cornwell Business Park  
Salhouse Road, Brackmills,  
Northampton NN4 7EX  
United Kingdom

**HellermannTyton**

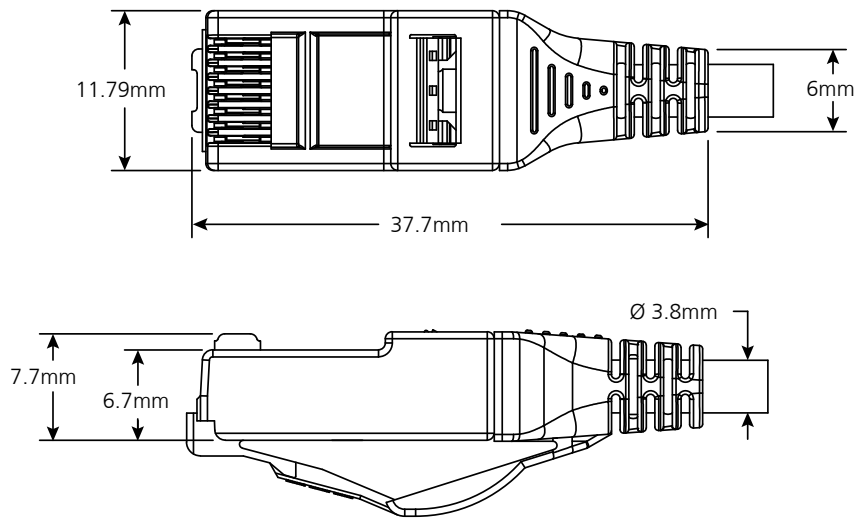
tel: +44 (0) 1604 707420 web: [www.htdata.co.uk](http://www.htdata.co.uk)

Follow us on [in](#) [t](#) @HTData

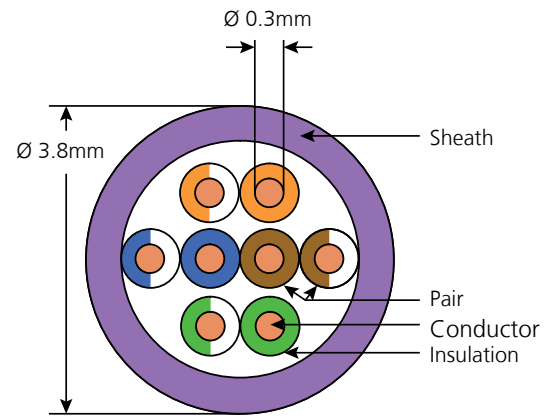
FLYER-SPPC-R11

# Slim Diameter Category 6 UTP Patch Leads

## Technical Drawings

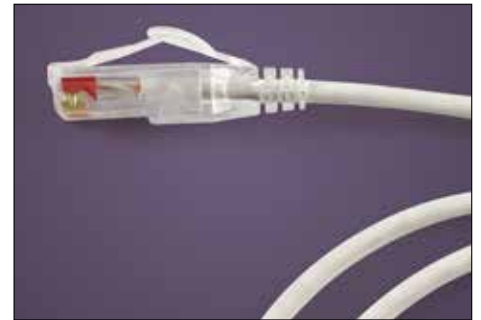


## Cable Construction



## Part Numbers

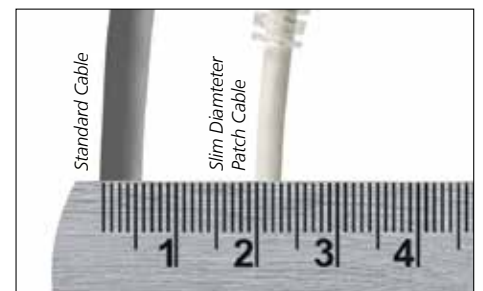
Part No.	UNS No	Description	Length (m)
RJ45SPC6-01.0M/WH	851-16318	Slim patch lead, 28 AWG Cat 6 UTP LSOH White 1m	1.0m
RJ45SPC6-02.0M/WH	851-16319	Slim patch lead, 28 AWG Cat 6 UTP LSOH White 2m	2.0m
RJ45SPC6-03.0M/WH	851-16320	Slim patch lead, 28 AWG Cat 6 UTP LSOH White 3m	3.0m
RJ45SPC6-05.0M/WH	851-16321	Slim patch lead, 28 AWG Cat 6 UTP LSOH White 5m	5.0m
RJ45SPC6-10.0M/WH	851-16322	Slim patch lead, 28 AWG Cat 6 UTP LSOH White 10m	10.0m



*Slim Diameter Patch Cord*

## Product Information

<b>Cable Diameter</b>	3.8mm nominal
<b>Bend Radius</b>	16mm min
<b>Frequency Range</b>	0-250MHz



*Standard Cable and Slim Diameter Cable Comparison*