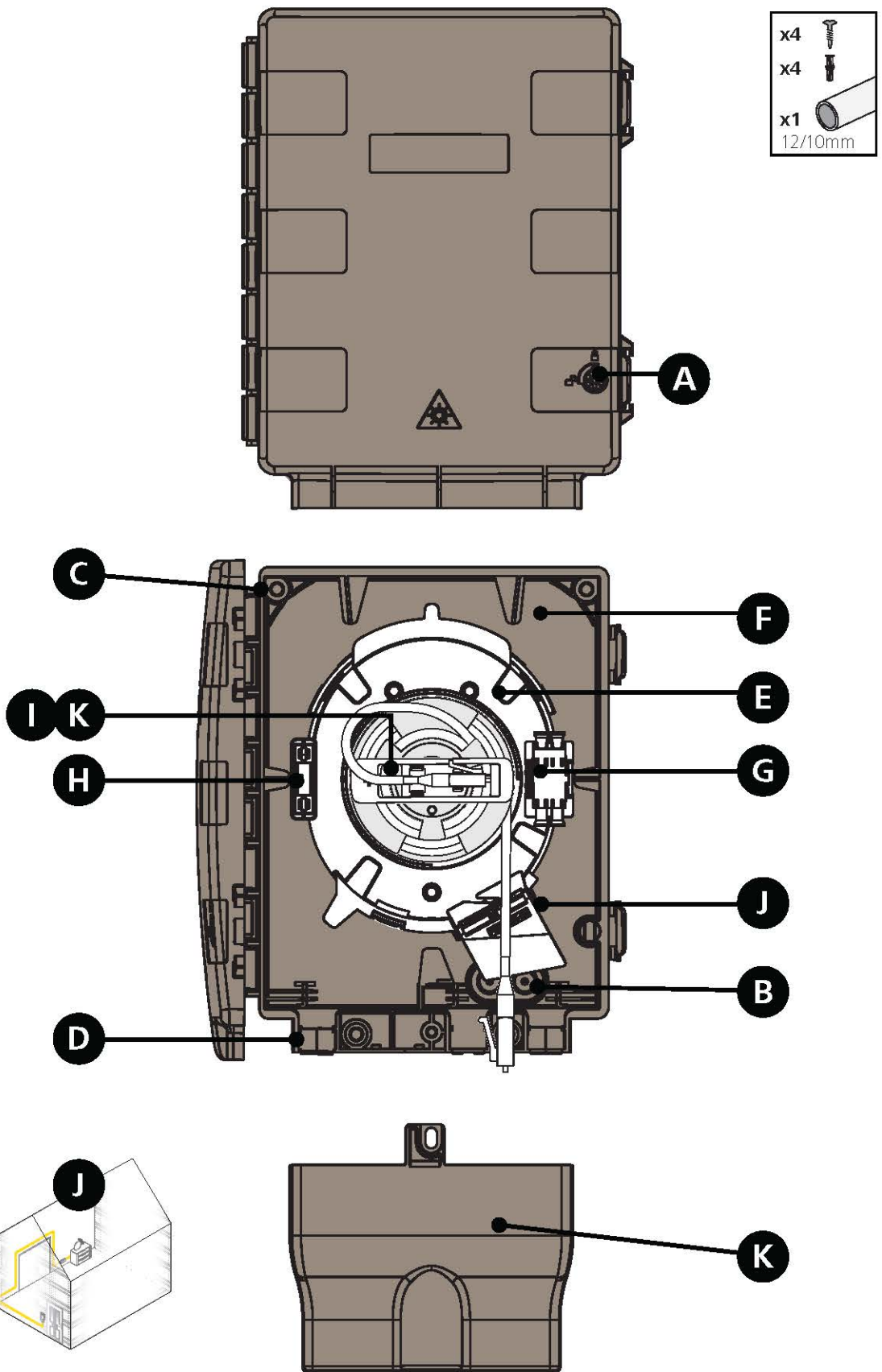
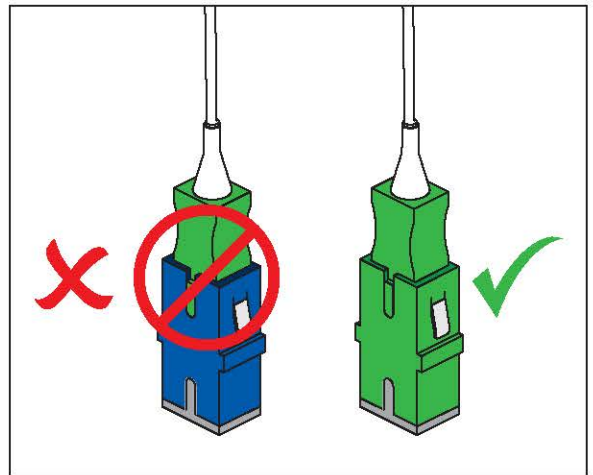
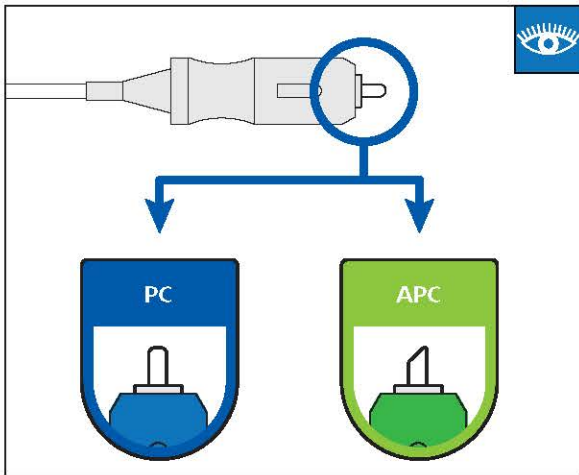
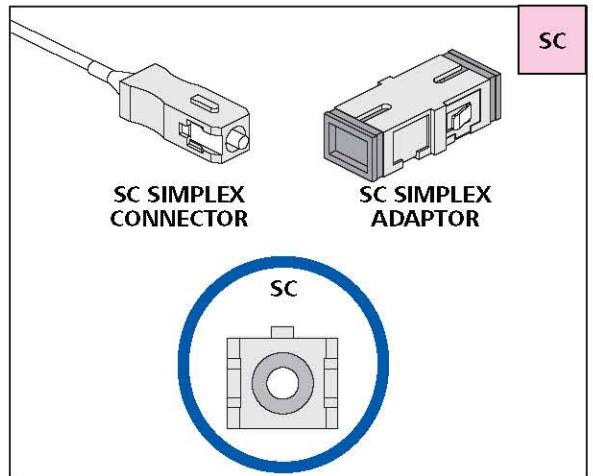
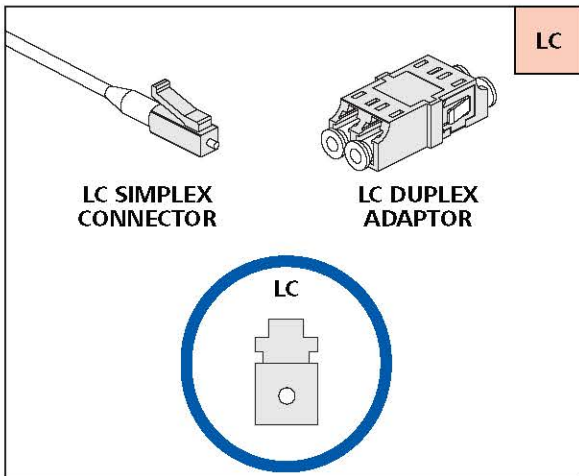




## CCWB - Connectorised Customer Wall Box

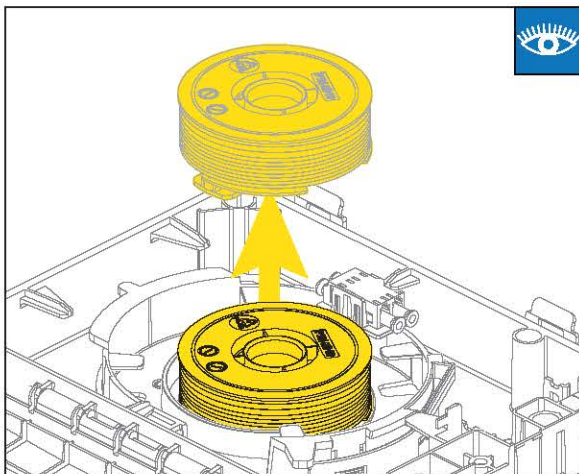
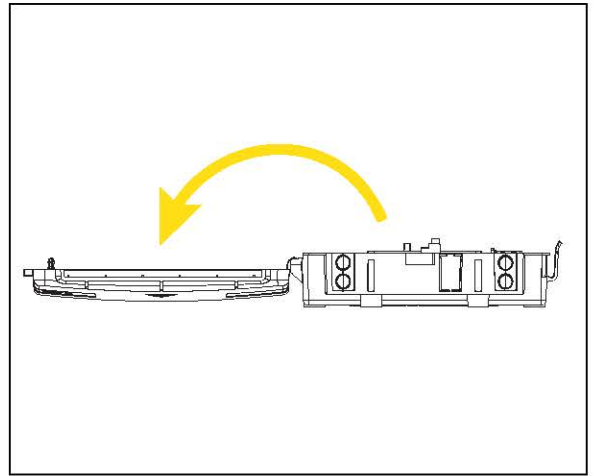
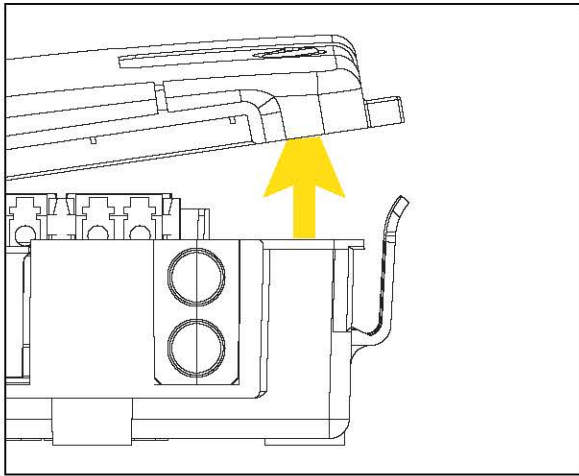
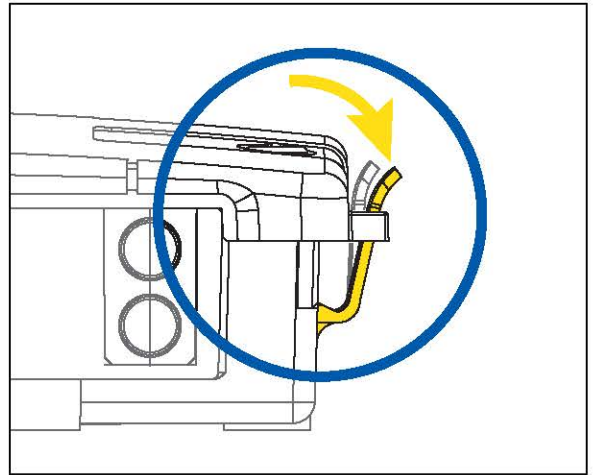
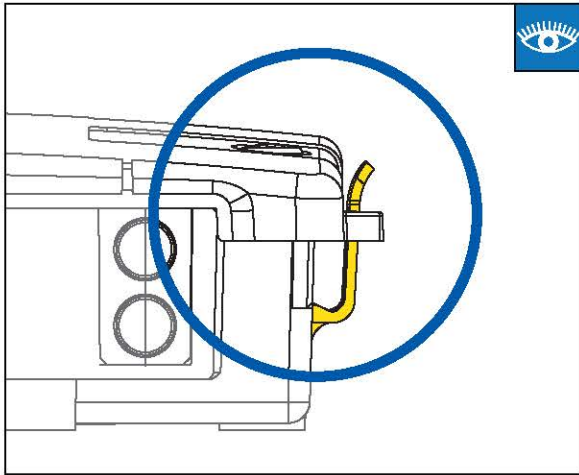
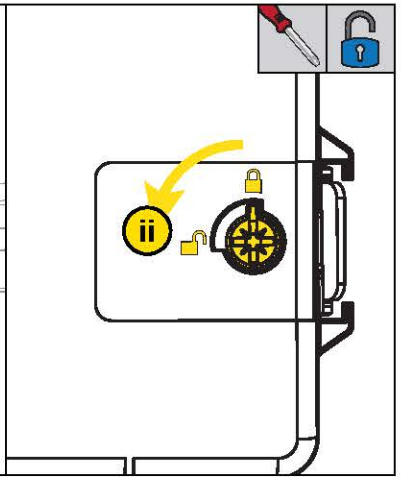
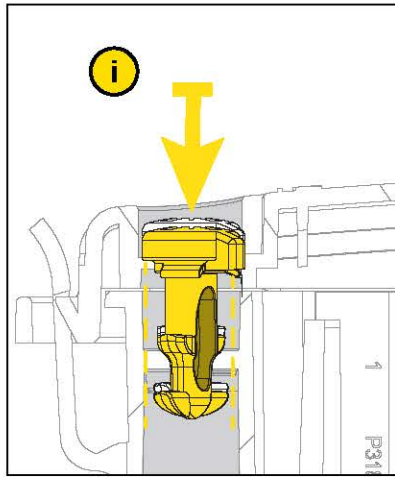
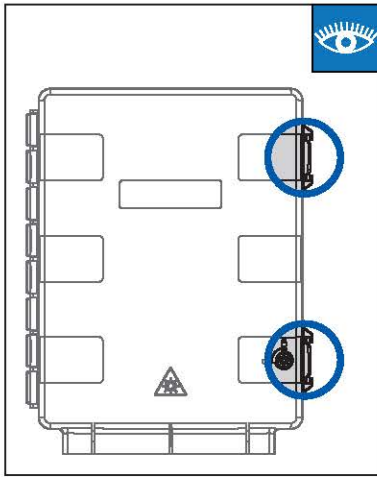


AVAILABLE SEPARATELY



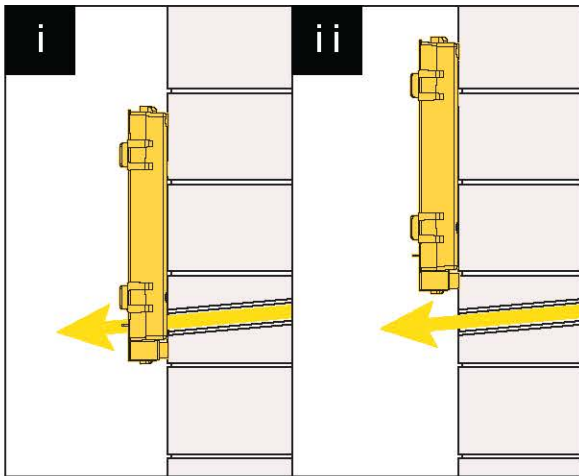
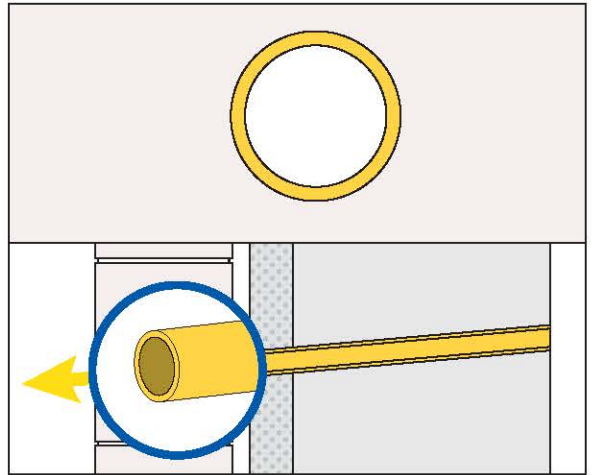
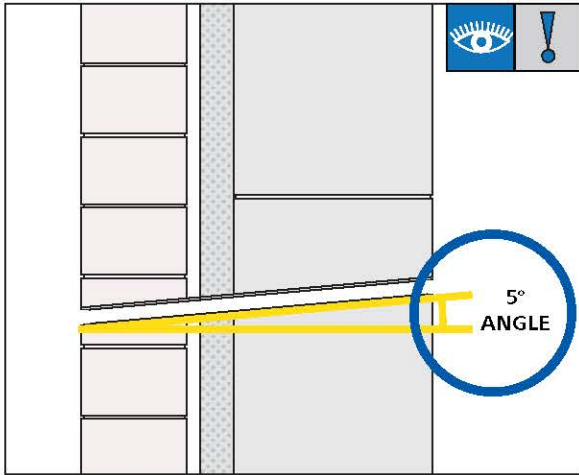
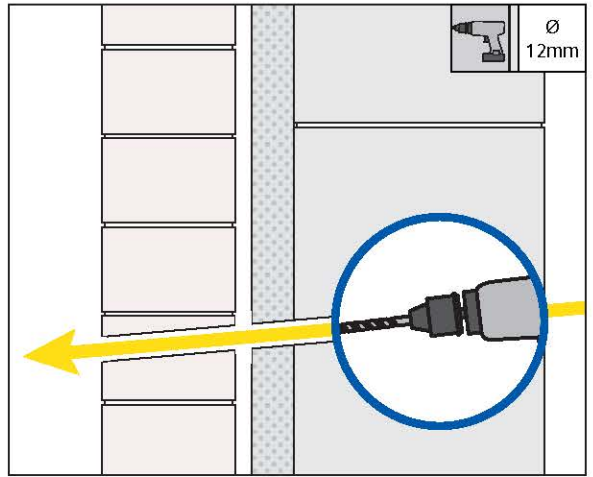
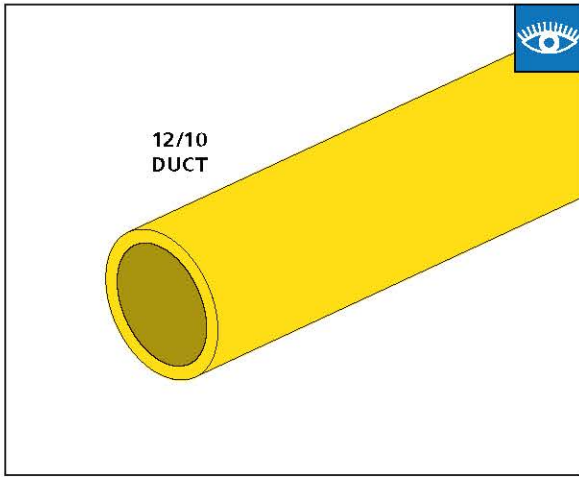
# A

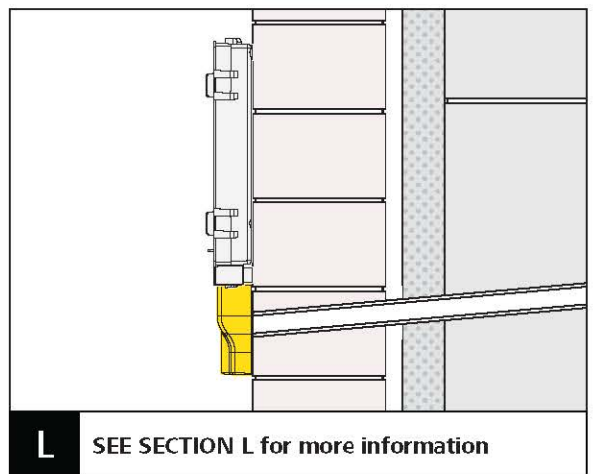
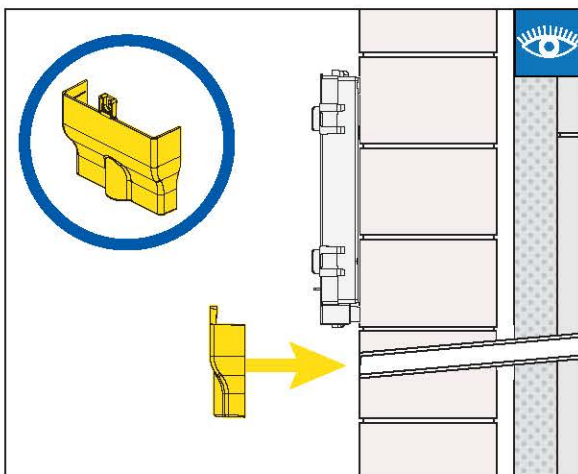
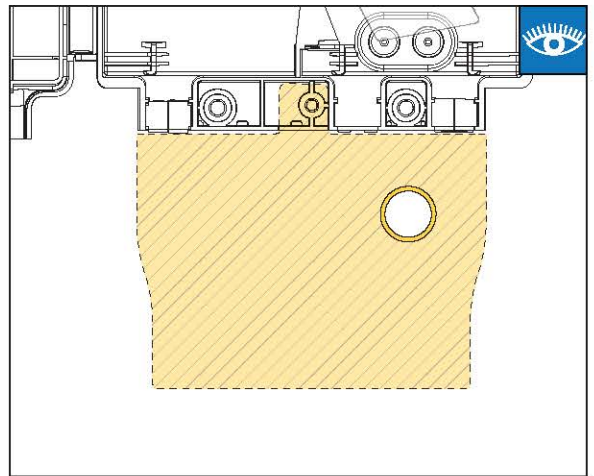
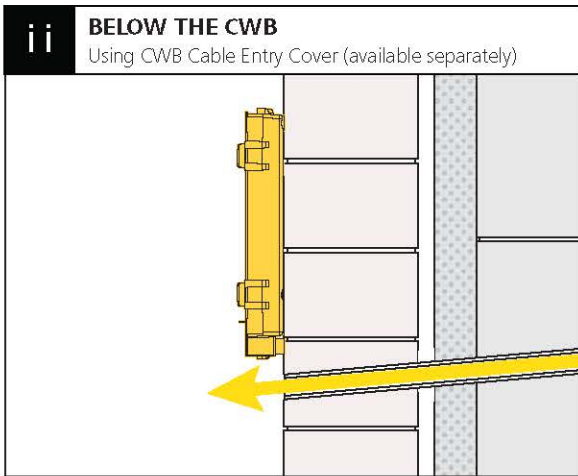
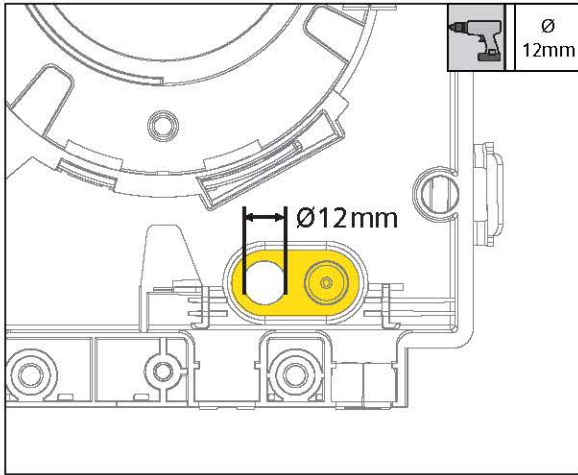
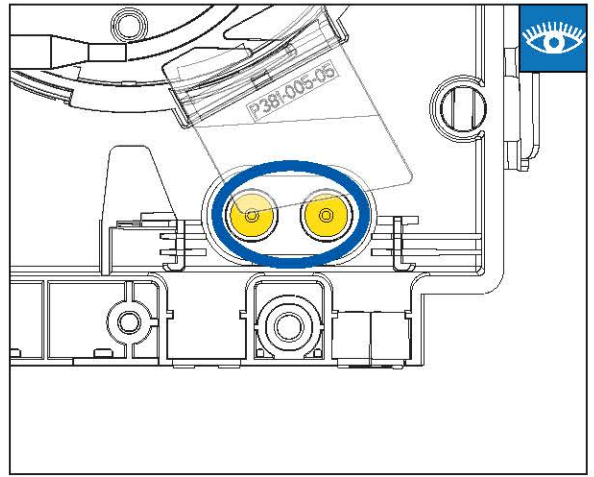
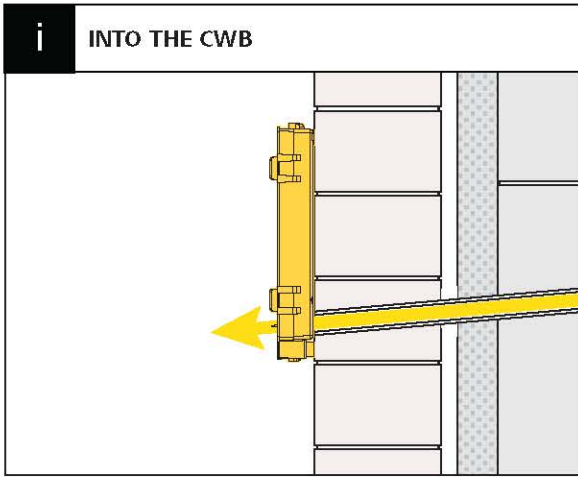
## OPENING THE ENCLOSURE



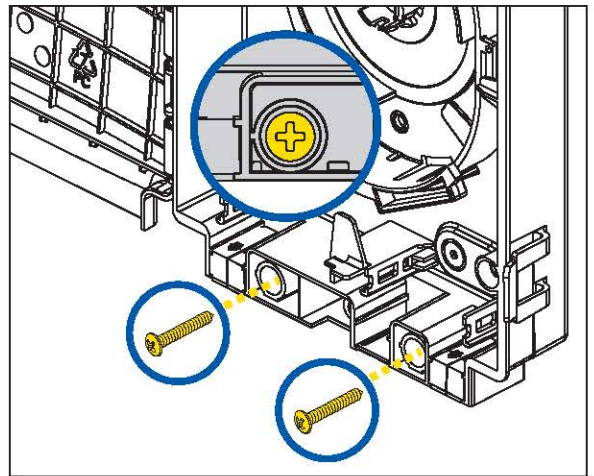
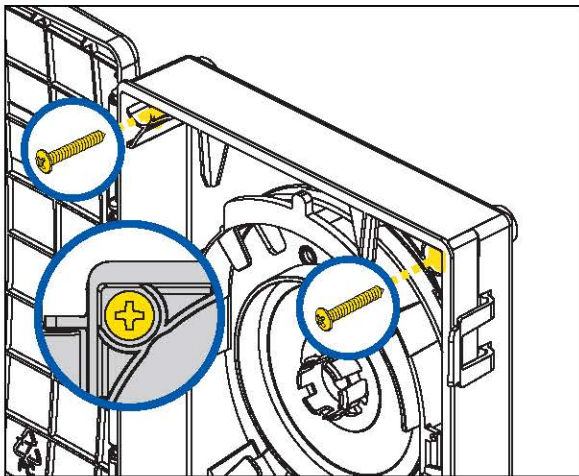
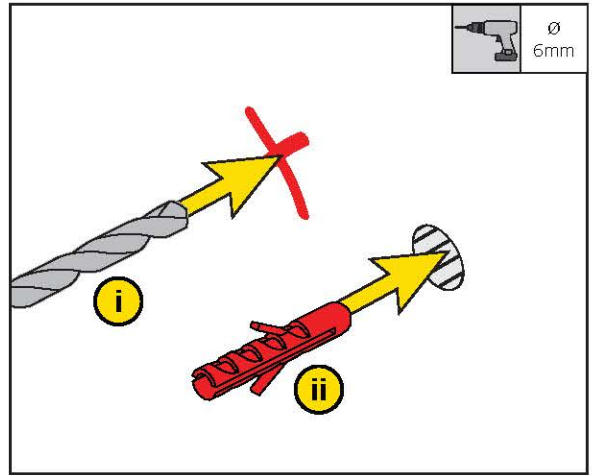
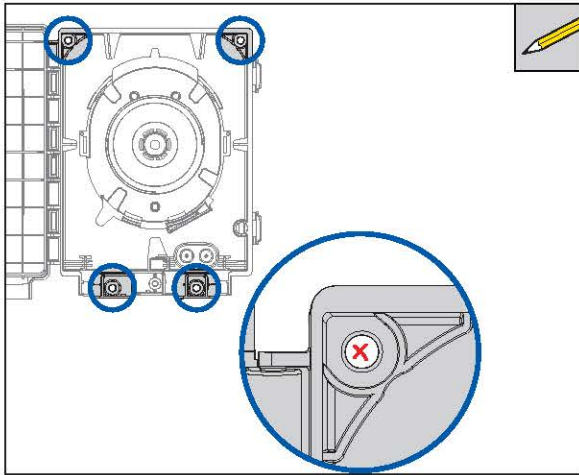
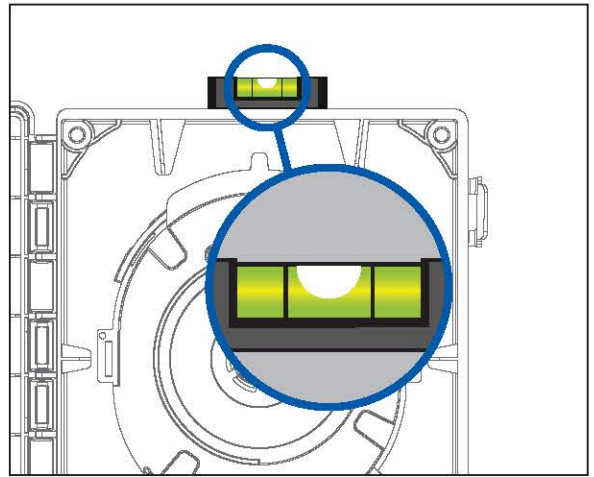
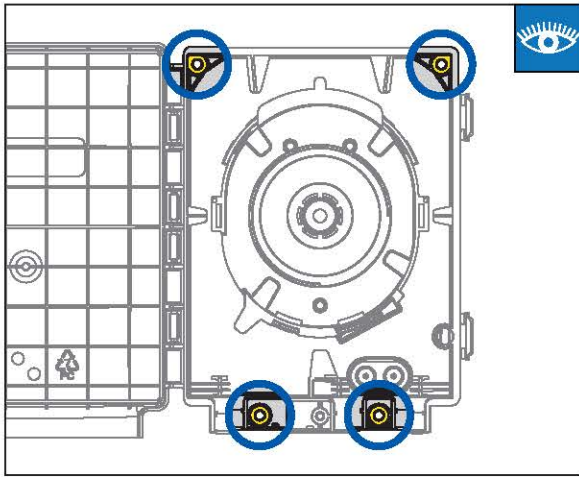
# B

## PREPARATION - THROUGH THE WALL



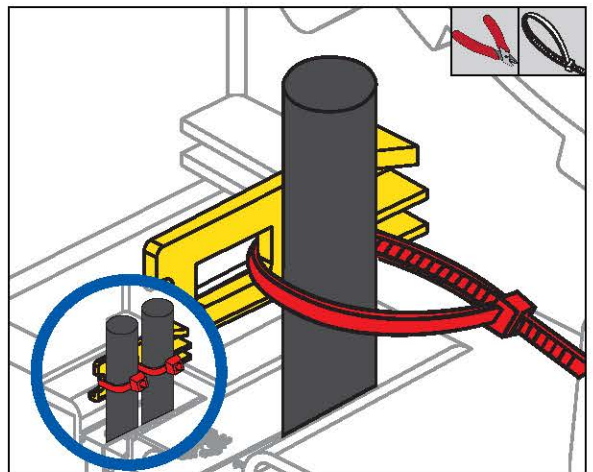
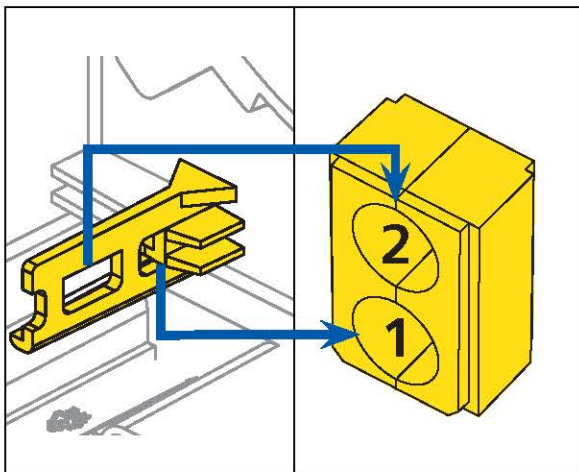
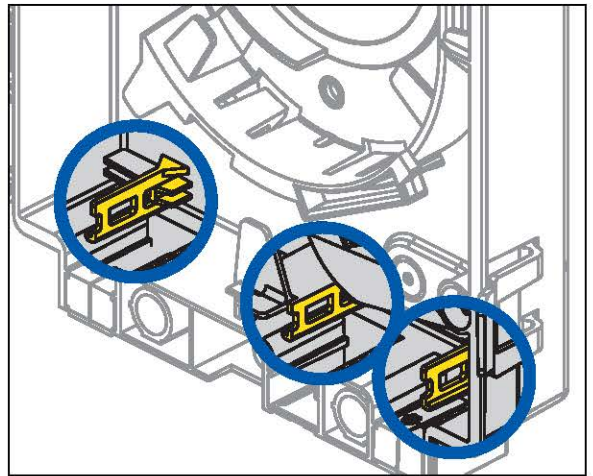
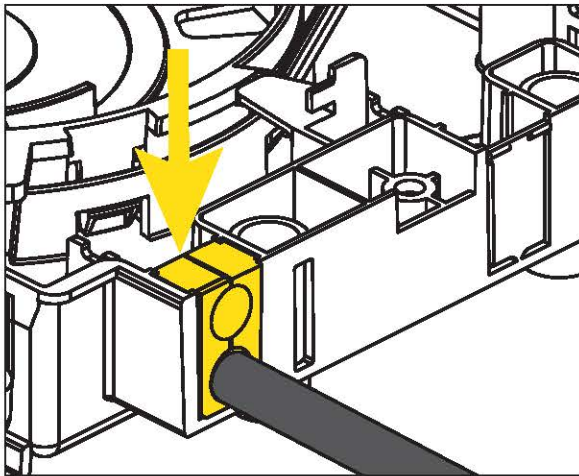
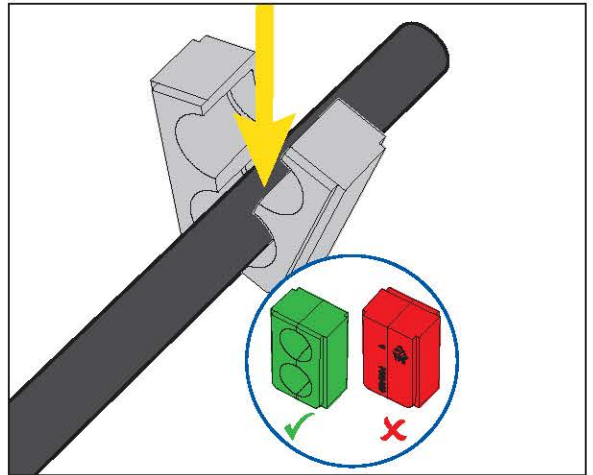
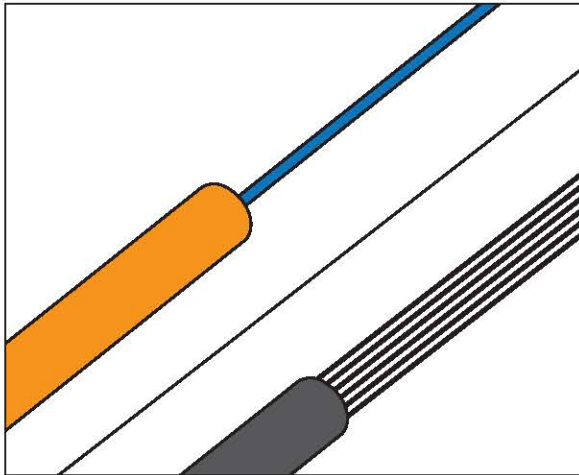
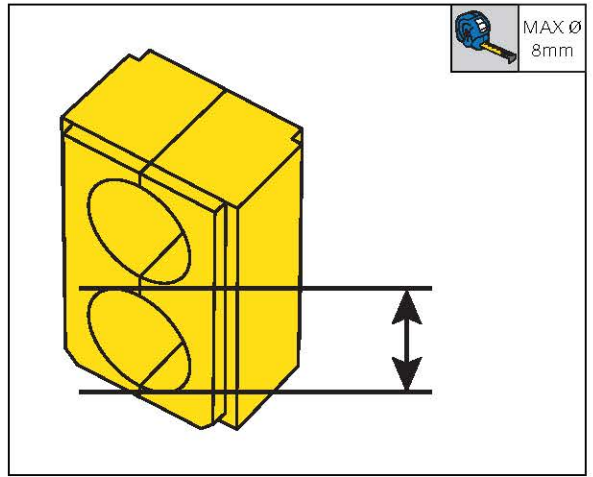
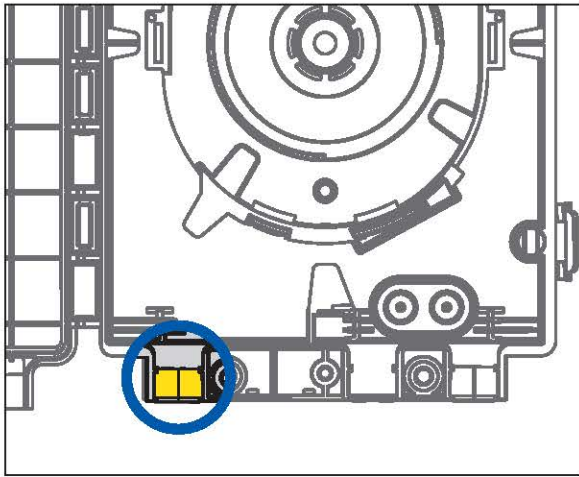


**L** SEE SECTION L for more information



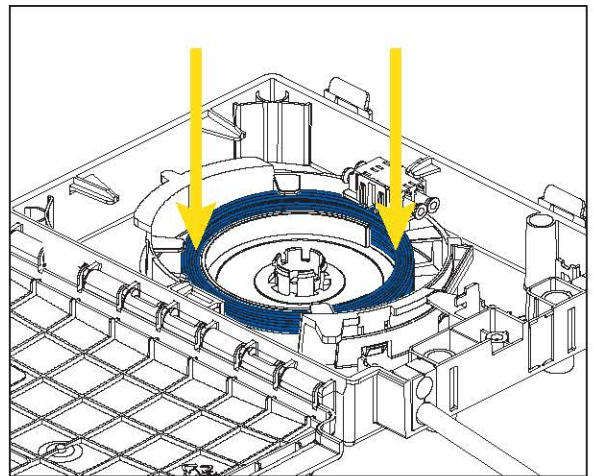
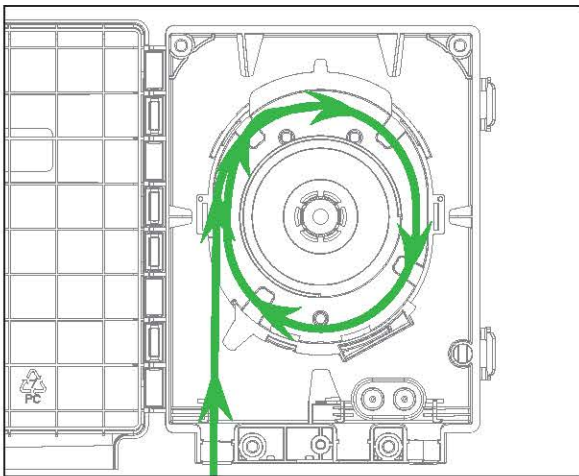
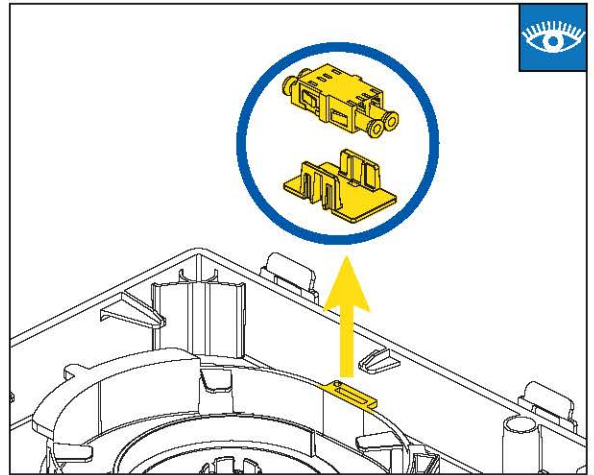
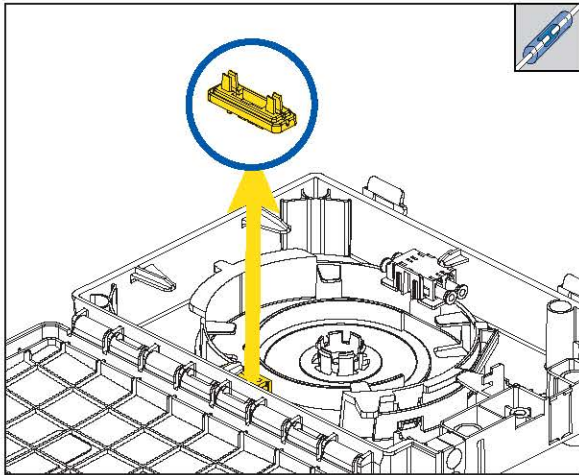
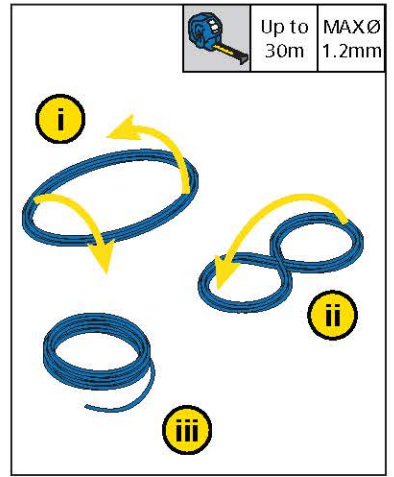
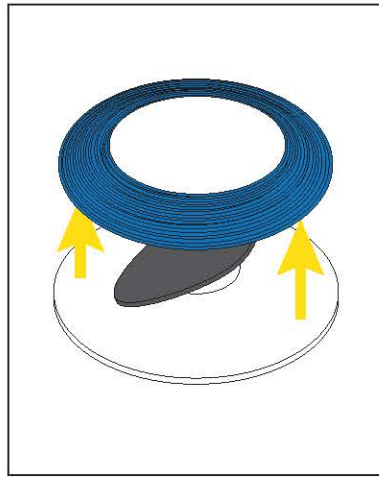
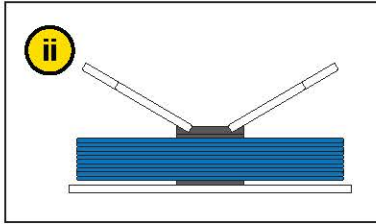
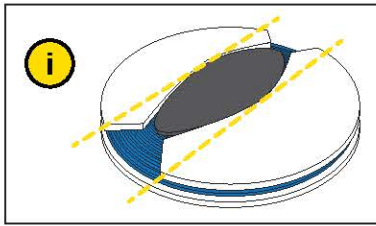
**D**

## CABLE ENTRY

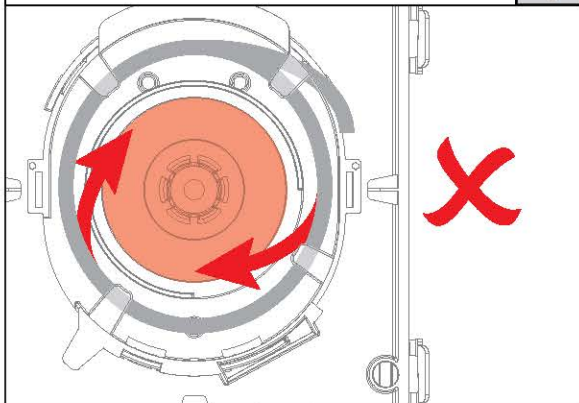


# E

## BLOWN FIBRE UNIT

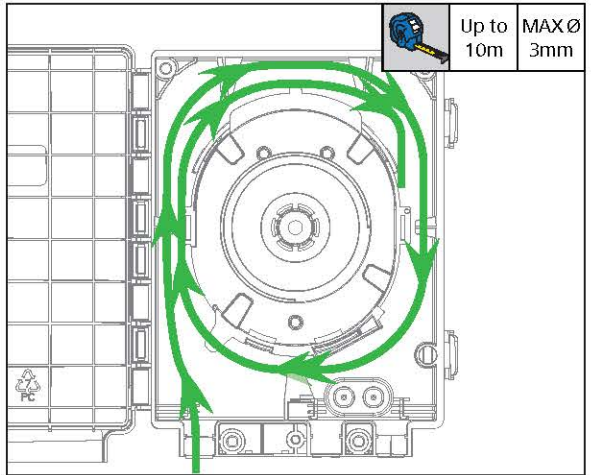
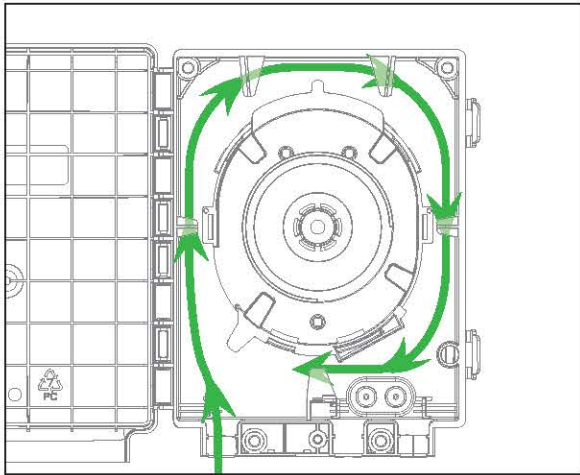
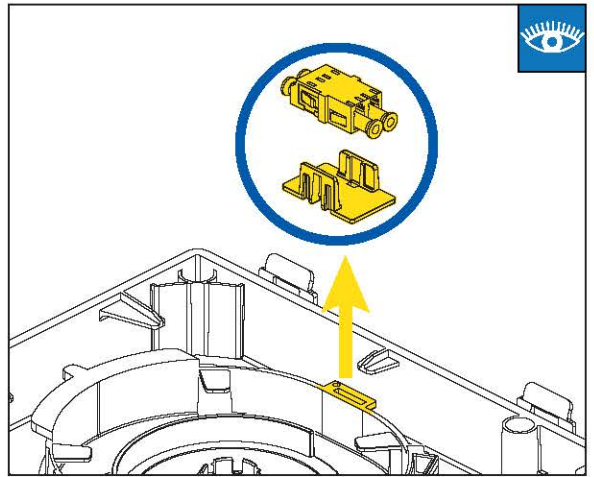
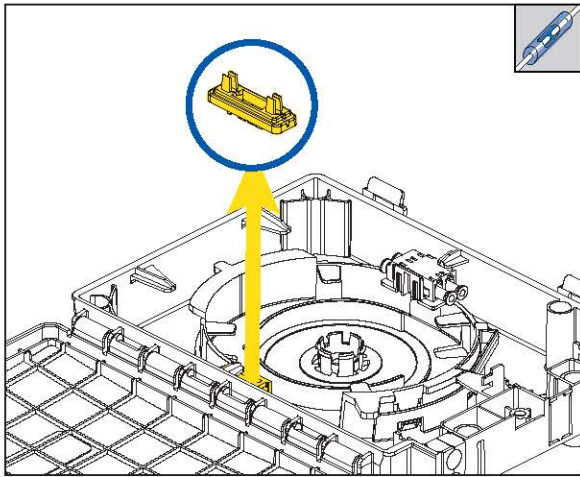


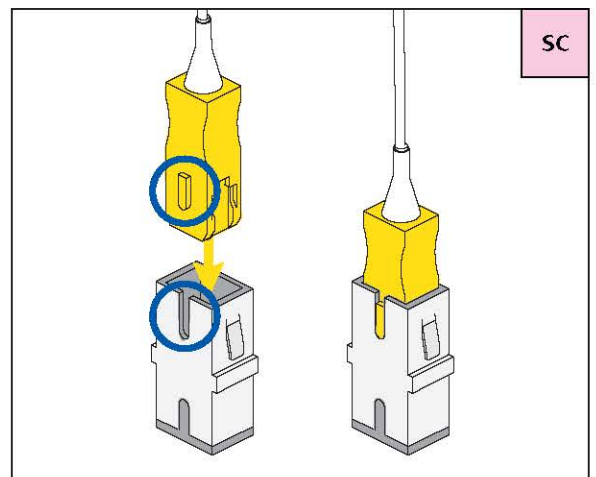
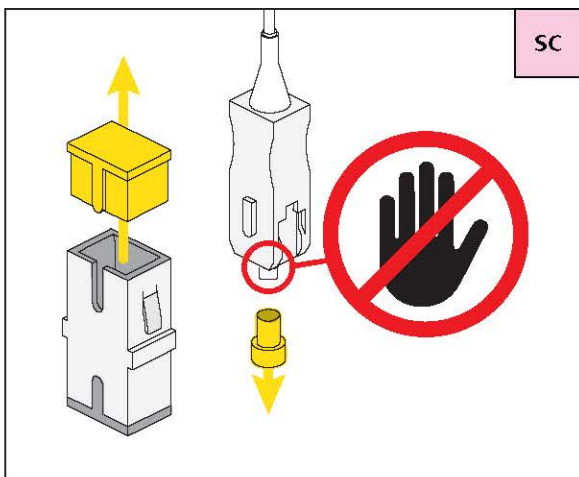
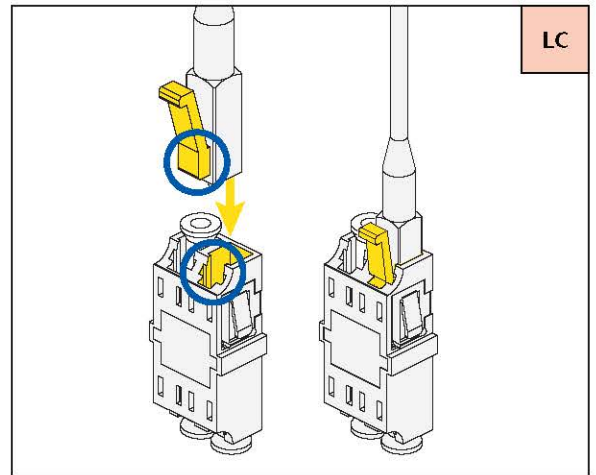
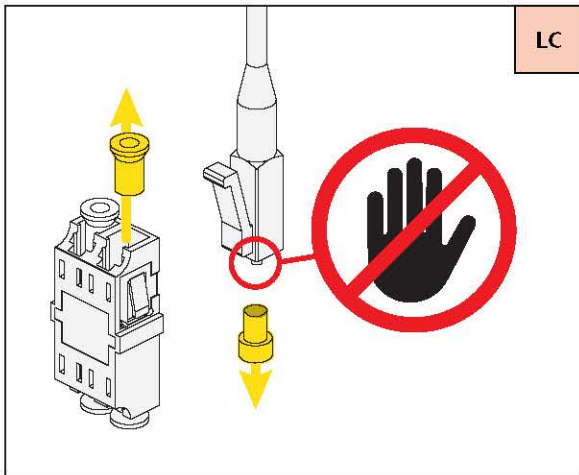
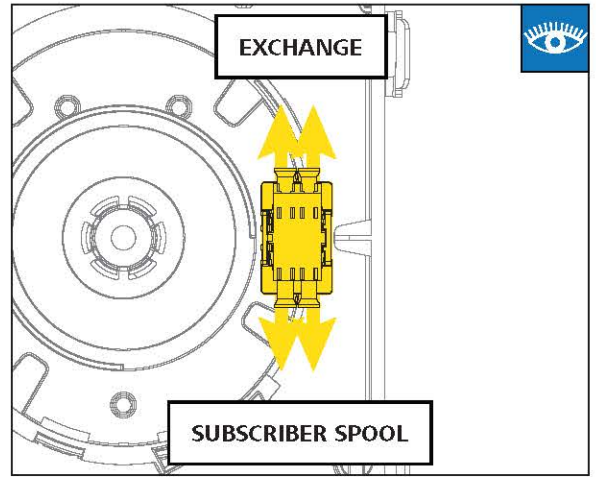
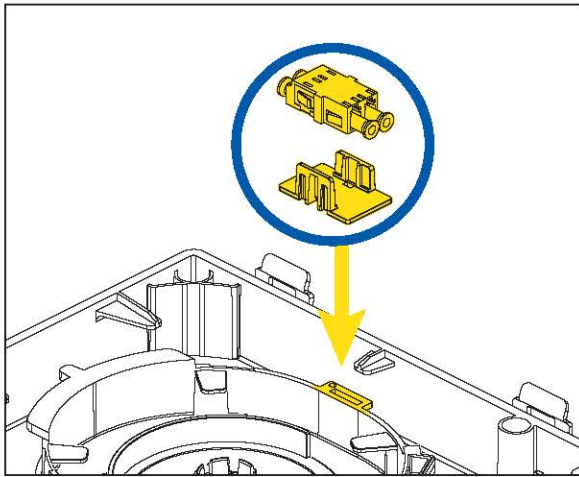
KEEP FIBRE CLEAR OF SPOOL MECHANISM !



F

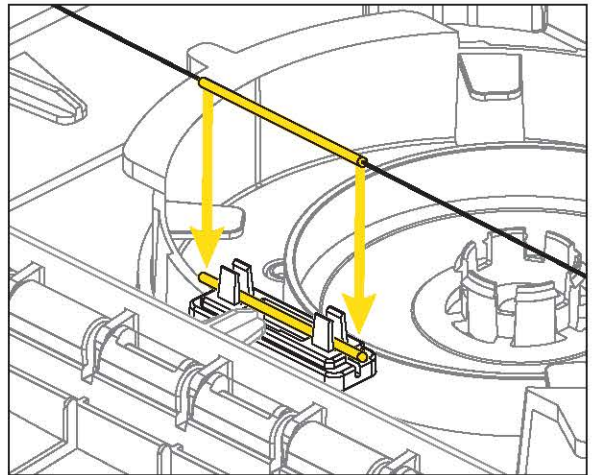
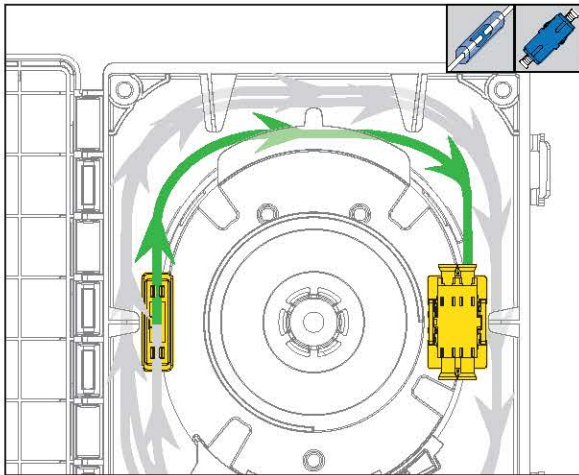
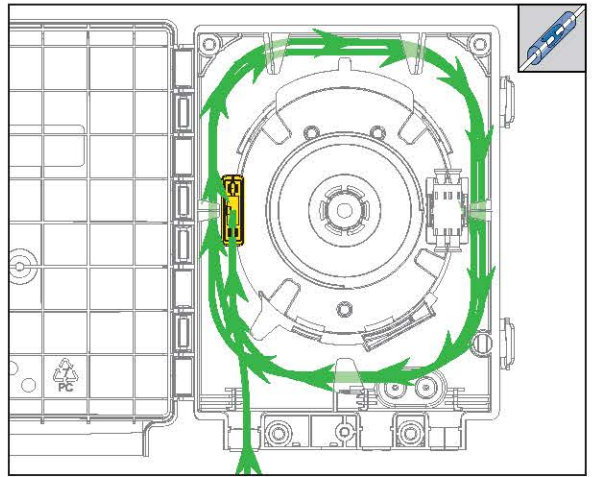
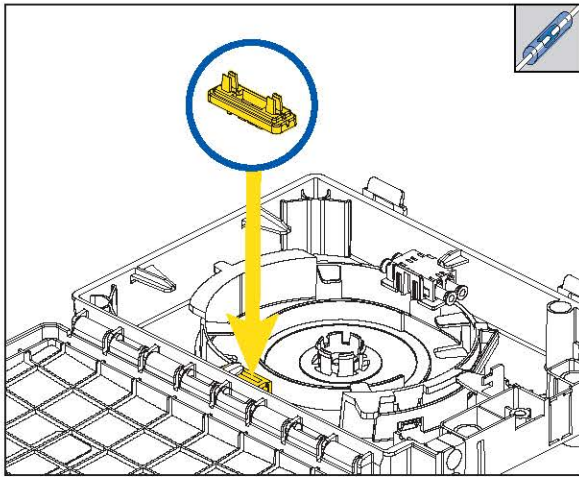
AERIAL OR DROP FIBRE CABLE



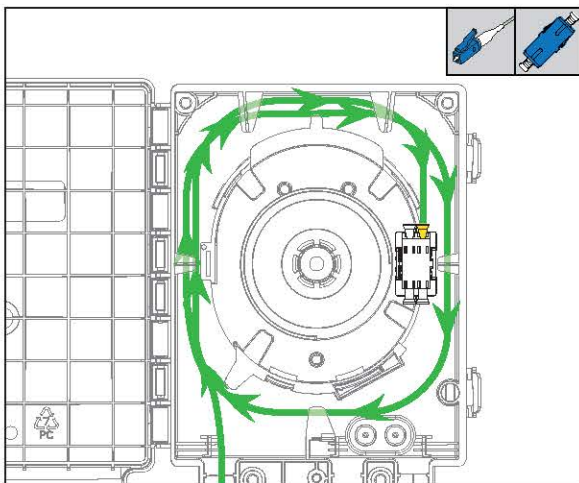




FIBRE ROUTING - SPLICE



FIBRE ROUTING - PRE-TERMINATED



# I

## FIBRE PULLING - INTO THE HOME

