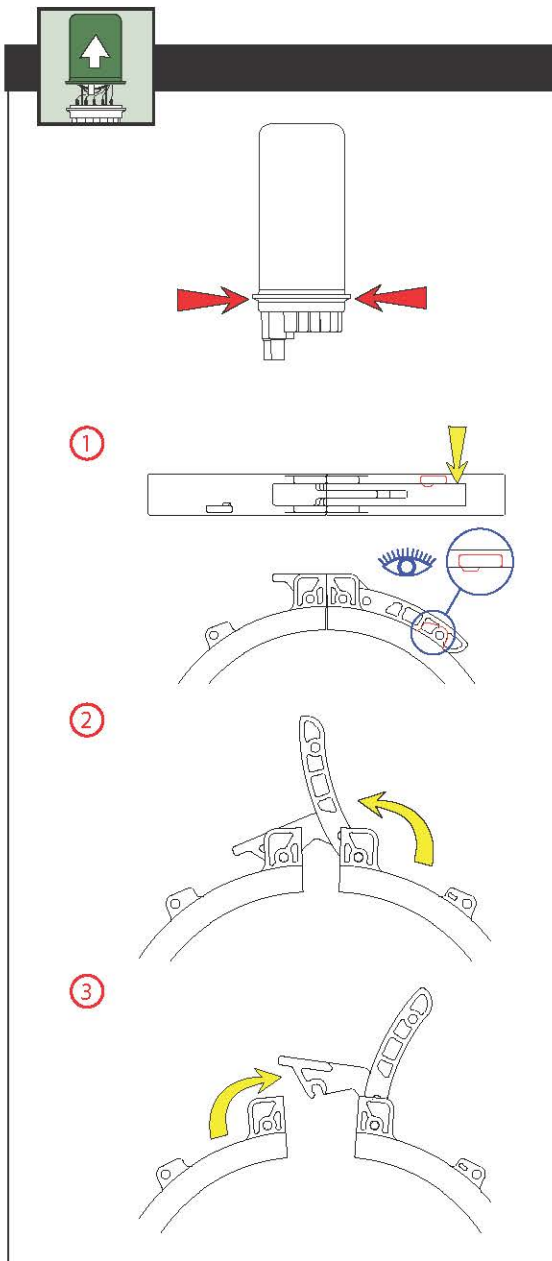
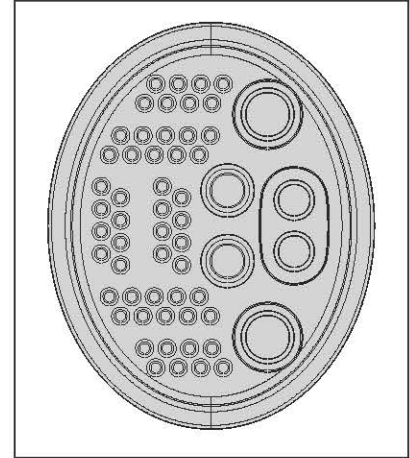


FDN 59 Port

- Manuel d'installation de l'Embase FDN
- FDN Base - Installationsanleitung
- Installationsanvisning FDN
- Manual de instalación de la Base del FDN
- Manual de Instalação da Base do FDN
- Manuale d'installazione per la base FDN
- FDN Base Telepítési útmutató
- Baza FDN - instrucțiuni de instalare
- FDN Základní návod k obsluze
- Installasjonsanvisning FDN
- FDN Osnovna Navodila za montažo
- Installatie instructie voor FDN basis

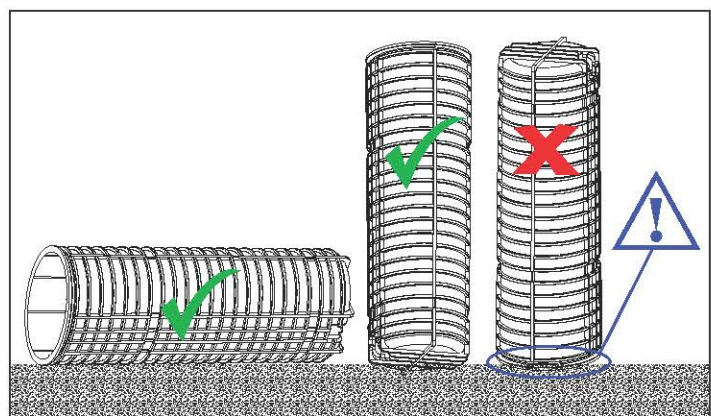


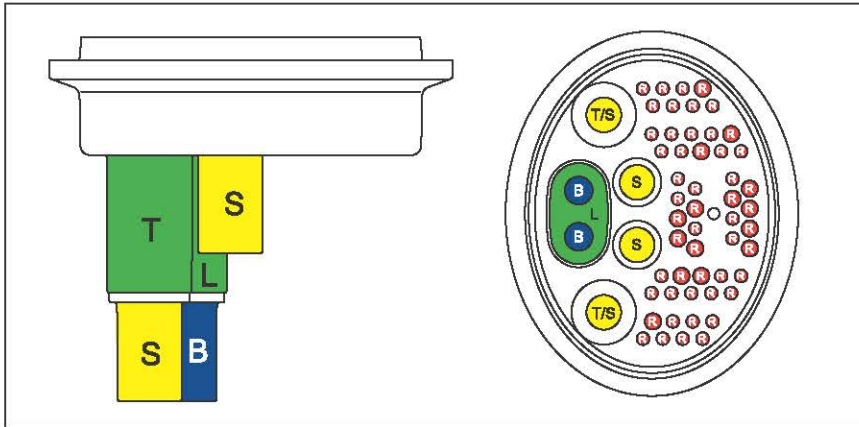
Port	Number of Ports	Cablelok		Heatshrink	
		≥ Ø mm	≤ Ø mm	≥ Ø mm	≤ Ø mm
L	1	2 x 5.5	20.0	2 x 12.0	24.0
T	2	15.5	29.0	12.0	35.0
S	9	5.0	20.0	12.0	26.0
B	4	4.8	16.5	6.0	19.0
R	52	1.7	9.5	-	-

Port	Number of Ports	Cablelok		Heatshrink	
		≥ Ø in	≤ Ø in	≥ Ø in	≤ Ø in
L	1	2 x 0.22	0.79	2 x 0.47	0.95
T	2	0.61	1.14	0.47	1.38
S	9	0.20	0.79	0.47	1.02
B	4	0.19	0.65	0.24	0.75
R	52	0.07	0.37	-	-

Port - port - Anschluß - Port - puerto - porto - porta - Port - Port - Port - Racord - port - poort
 Number of Ports - Nombre de ports - Anzahl der Anschlüsse - Antal portar - Número de puertos - Número de portos - Numero di porte - Portok száma - Numar racorduri - Počet portů - Antall porter - Število portov - Aantal poorten

Heatshrink - Thermo rétractable - Wärmeschrumpfschlauch - Krympslang - Termoretráctil - Termorretráteis - Termorestringente - Zsugorcső - Termocontractibil - Teplem smrštiteľné hadice - krympstrømpe - toploskrčna cev - Krimpkaus





Ø (mm)	Ø (inches)	Cablelok
4.8 - 9.0	0.19 - 0.35	B10
8.0 - 14.0	0.32 - 0.55	B20
13.0 - 16.5	0.51 - 0.65	B30

Ø (mm)	Ø (inches)	Cablelok
5.0 - 8.5	0.20 - 0.34	S10
6.8 - 7.2 (5 cables)	0.27 - 0.28	S15M5
8.0 - 12.0	0.32 - 0.47	S20
2 x 10.0 - 11.5	2 x 0.39 - 0.45	S30D
12.0 - 16.0	0.47 - 0.63	S40
16.0 - 20.0	0.63 - 0.79	S50

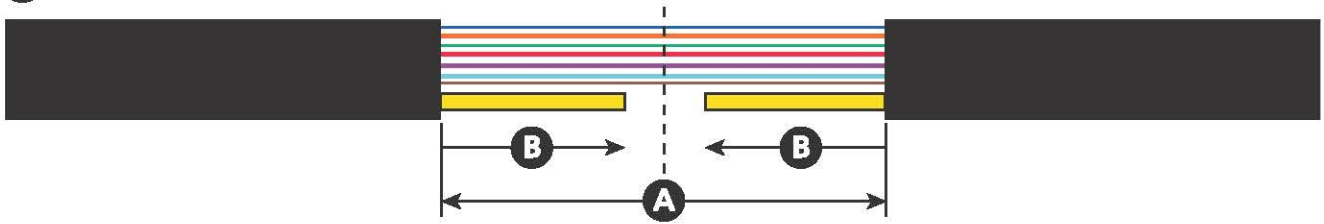
Ø (mm)	Ø (inches)	Cablelok
2 x 5.5 - 9.5	0.22 - 0.37	L10C
2 x 9.0 - 12.5	0.35 - 0.49	L20C
2 x 12.0 - 15.0	0.47 - 0.59	L30C
2 x 15.0 - 18.5	0.59 - 0.73	L40C
2 x 18.3 - 20	0.72 - 0.79	L50C

Ø (mm)	Ø (inches)	Cablelok
15.5 - 22.0	0.61 - 0.87	T10
20.0 - 23.5	0.79 - 0.93	T20
23.5 - 25.5	0.93 - 1.00	T30
24.5 - 29.0	0.96 - 1.14	T40

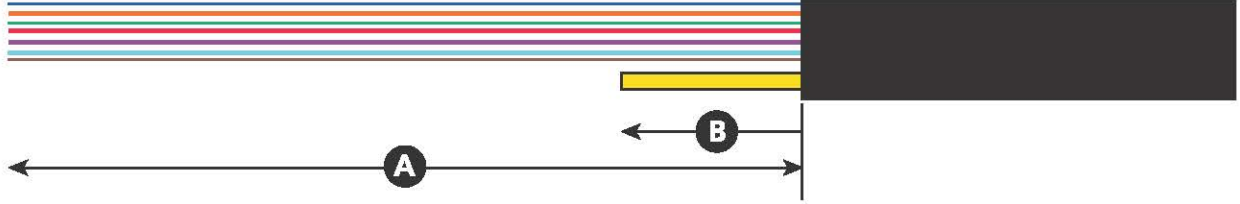
Ø (mm)	Ø (inches)	Cablelok
1.7 - 2.0	0.07 - 0.079	R10
2 x 1.7 - 2.0	2 x 0.07 - 0.079	R10D
2.0 - 3.0	0.07 - 0.119	R15
3.0 - 3.8	0.119 - 0.15	R20
2 x 3.8 - 4.8	2 x 0.15 - 0.19	R30D
3.8 - 5.2	0.19 - 0.20	R40
5.2 - 8.0	0.20 - 0.32	R50
6.0 - 8.5	0.24 - 0.34	R70
8.0 - 9.5	0.32 - 0.37	R80



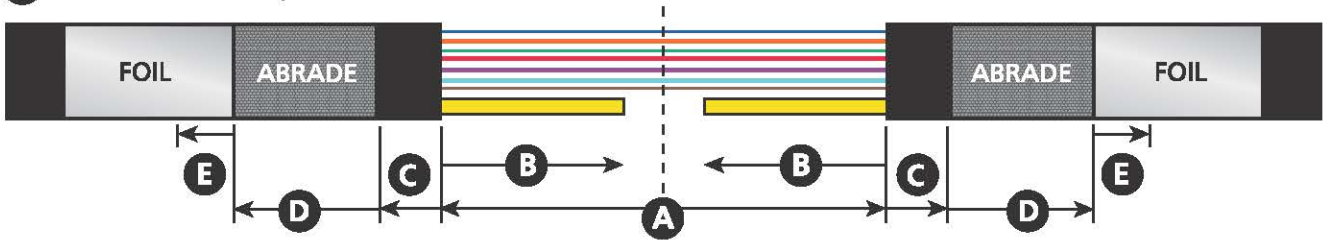
1 Cablelok Loop



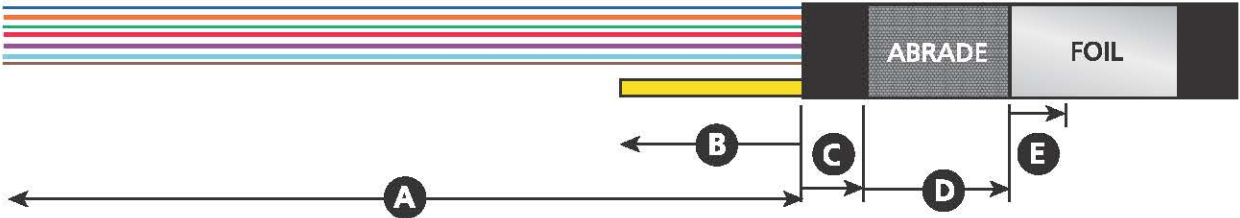
2 Cablelok



3 Heatshrink Loop

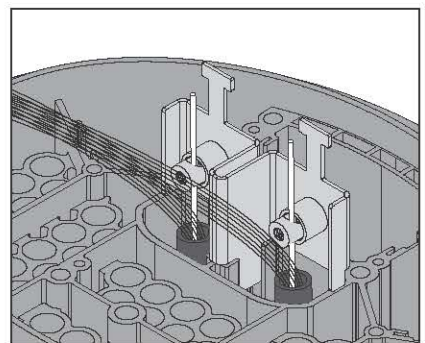
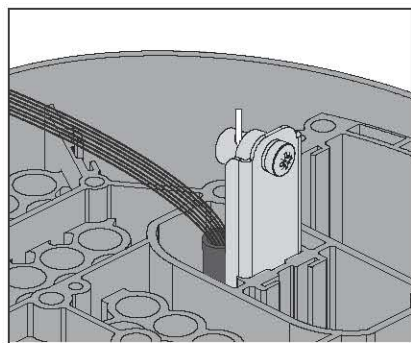
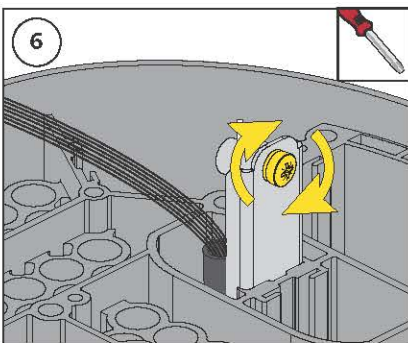
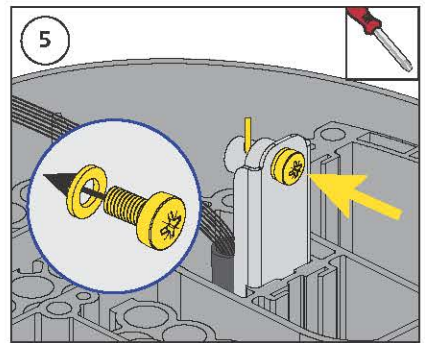
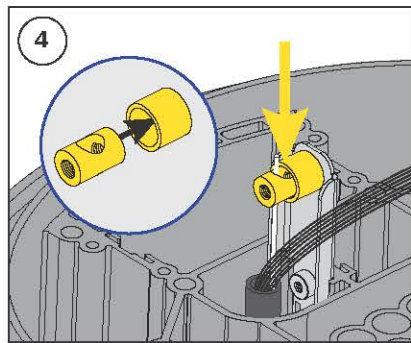
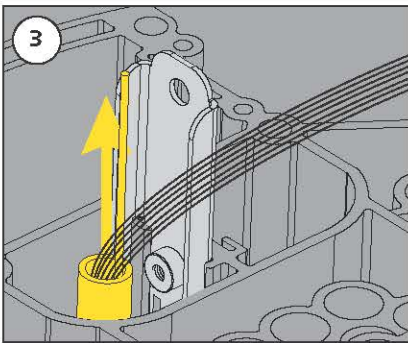
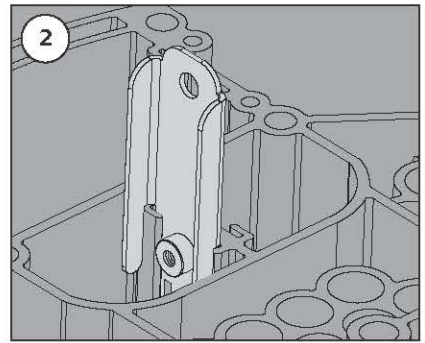
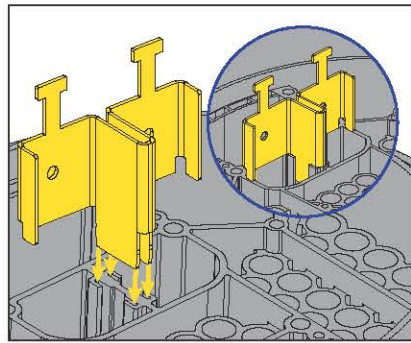
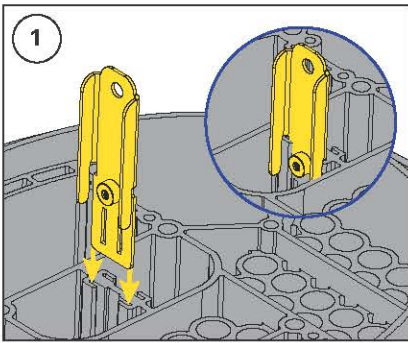
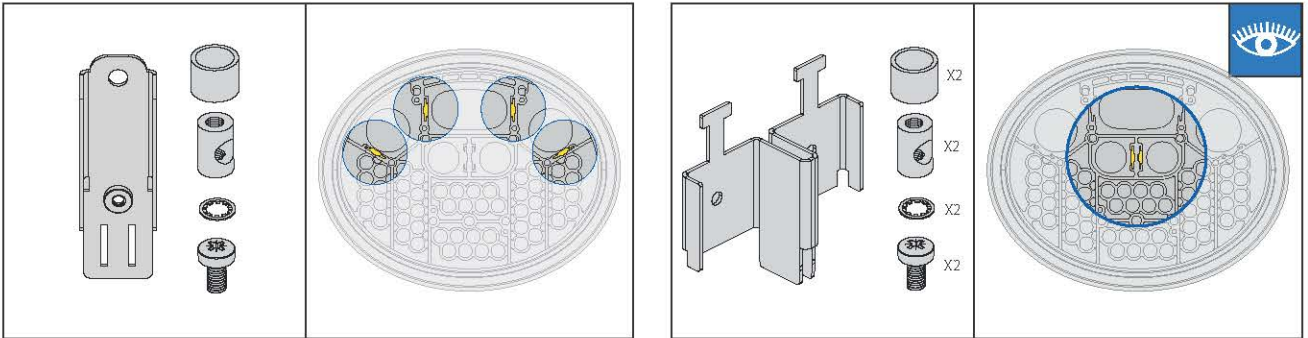


4 Heatshrink



	A		B		C		D		E	
1	4000mm	13ft	150mm	6in	-	-	-		-	
2	2500mm	8ft 2in			-	-	-		-	
3	4000mm	13ft			20mm	1in	130mm	5 1/8in	20mm	1in
4	2500mm	8ft 2in								

Abrade - Afschuren - Slipa - Abrađar - Desgastar - Abradere - Poncer - Pobrusite - Obrusit - Ledörzsöl - Şlefui - Obrüsif - Abschürfen - Slipes - Hiirtää - Slib
 Foil - Foelie - Folie - Florete - Papel De Aluminio - Foil - Foil - Folije - Fólie - Ellentét - Folie - Fólie - Foil - Folie - Folio - Folie



HellermannTyton



HellermannTyton Data Ltd – UK
Tel: +44 (0) 1604 706633
www.htdata.co.uk