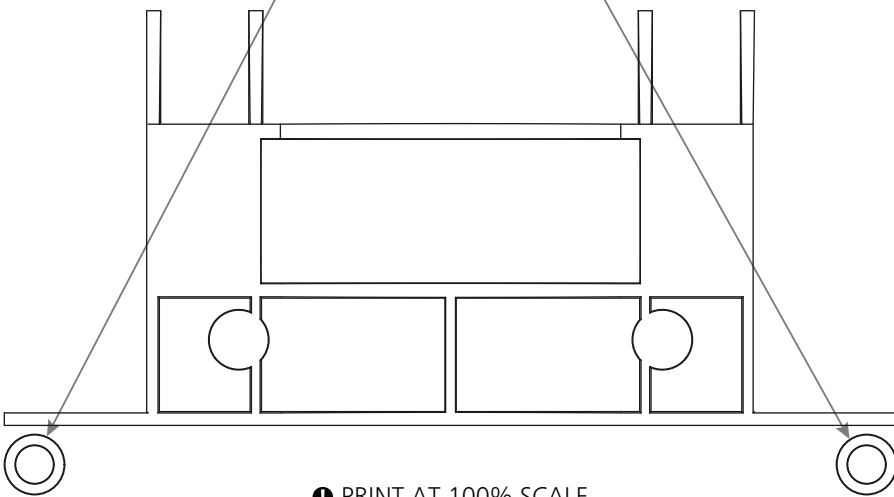
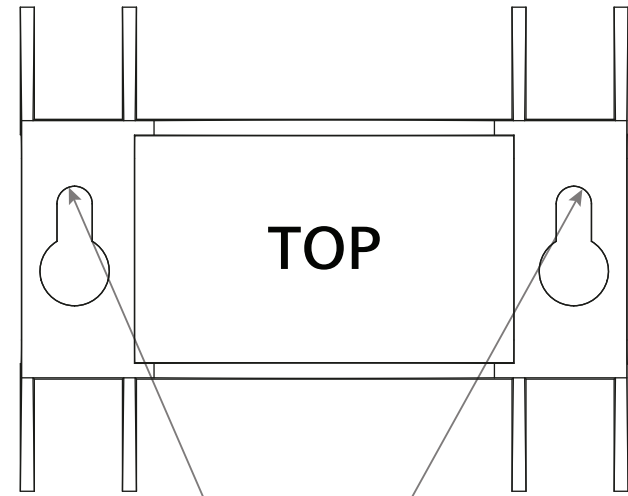


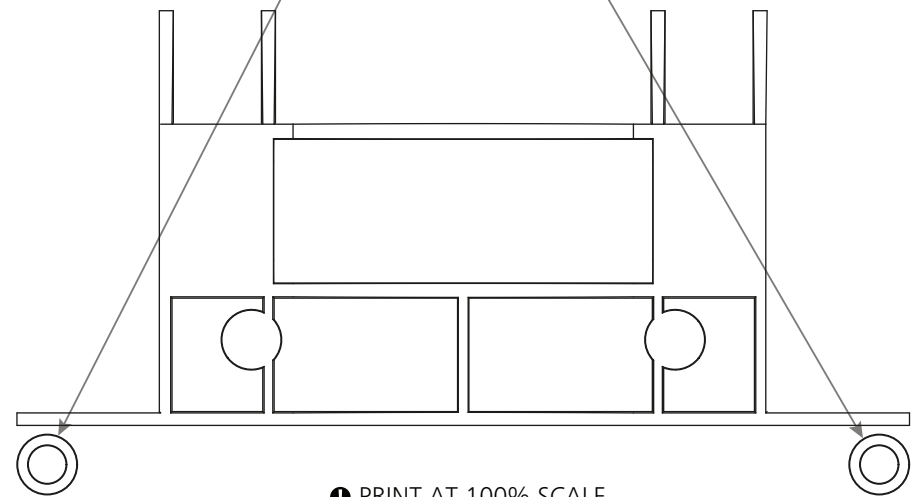
DRILL TO CENTRE OF
THESE HOLES



● PRINT AT 100% SCALE



DRILL TO CENTRE OF
THESE HOLES



● PRINT AT 100% SCALE