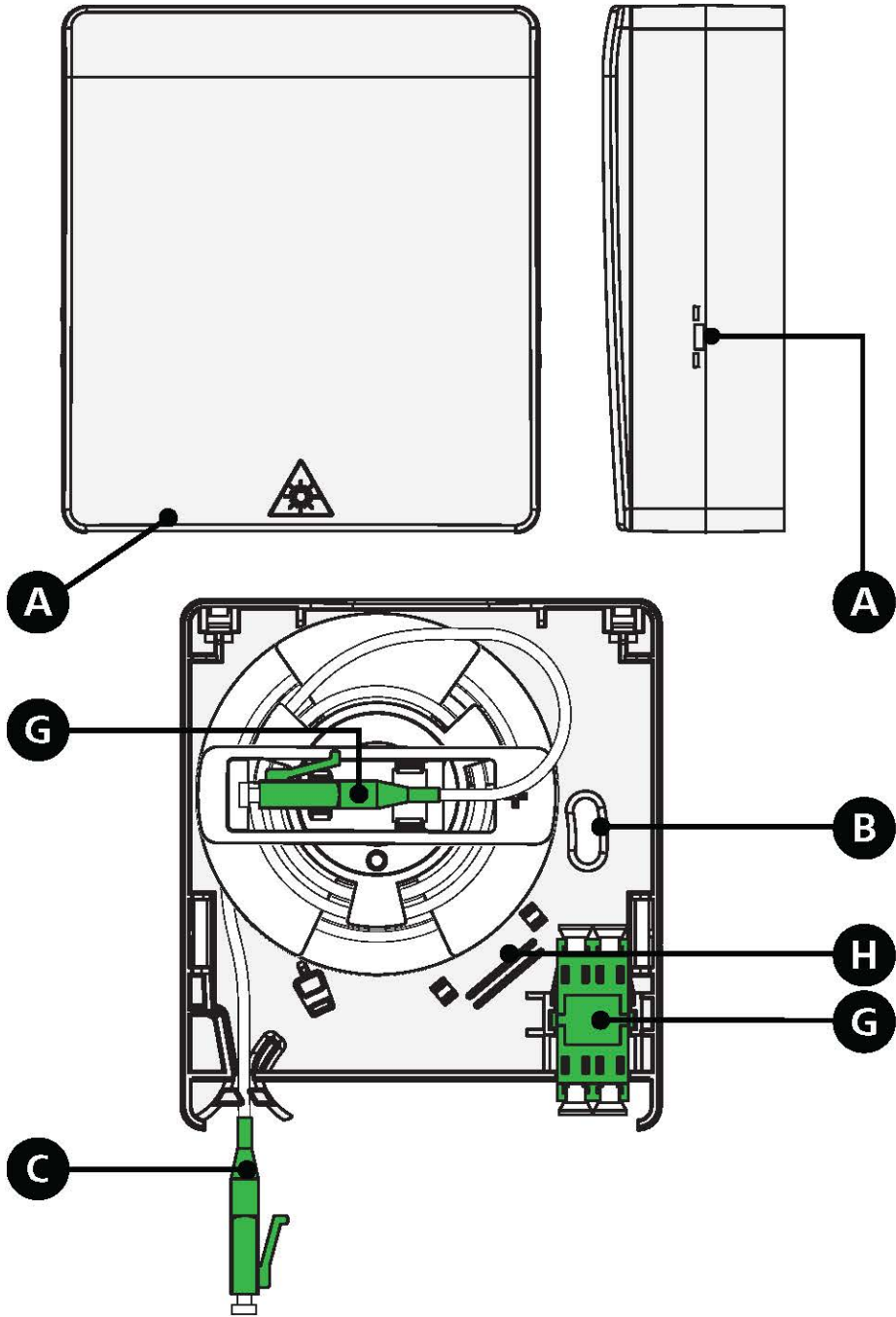




## FFO 2.0



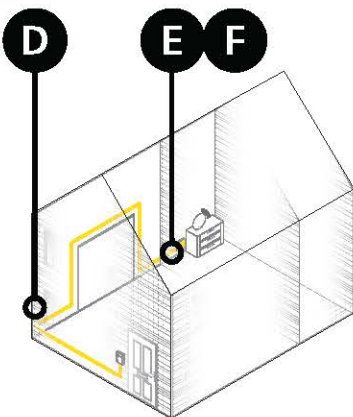
### CAUTION: LASER

Do not look into beam.



Please read the installation instructions carefully before fitting.

If you have any uncertainty with regards to fitting this product, please consult a skilled installer.



### In the box

#### Fixing Kit

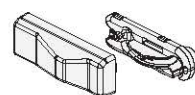
2x 2x



### Available separately

#### Cable Management Kit

Through the Wall Managers



External Corners

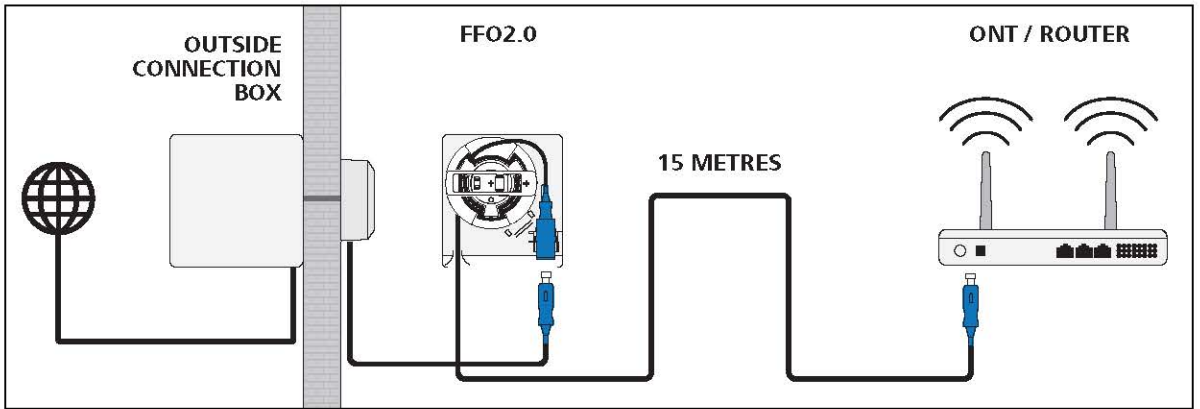
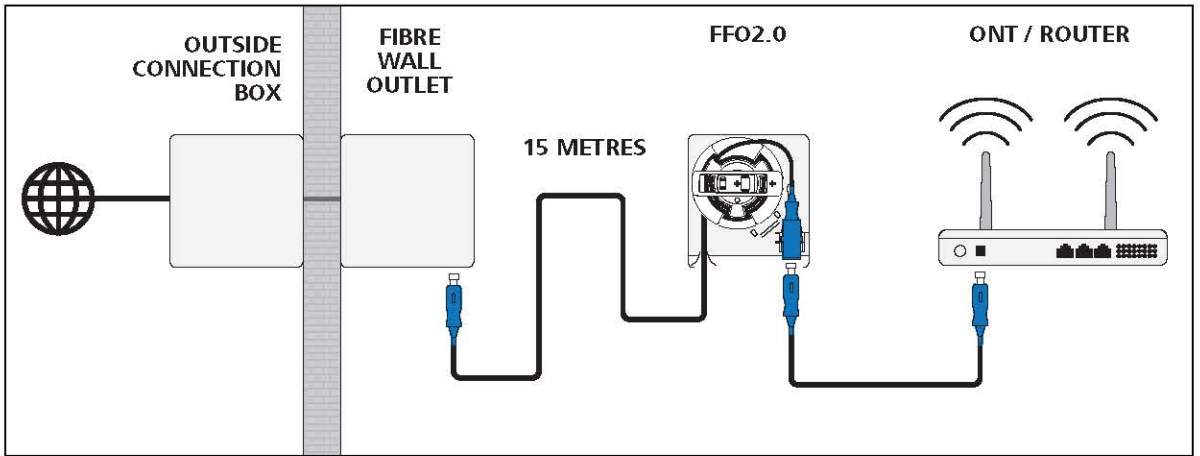


Internal Corners

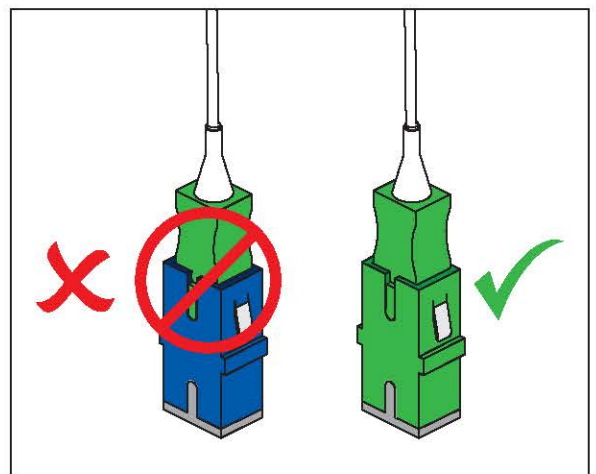
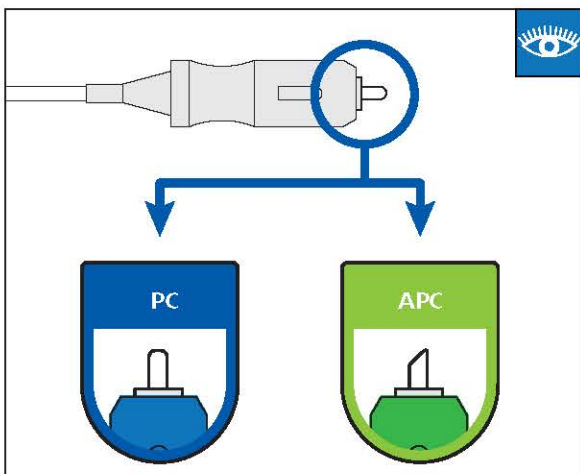
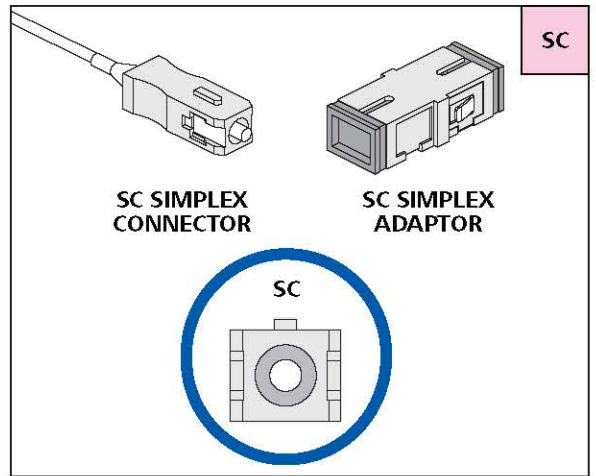
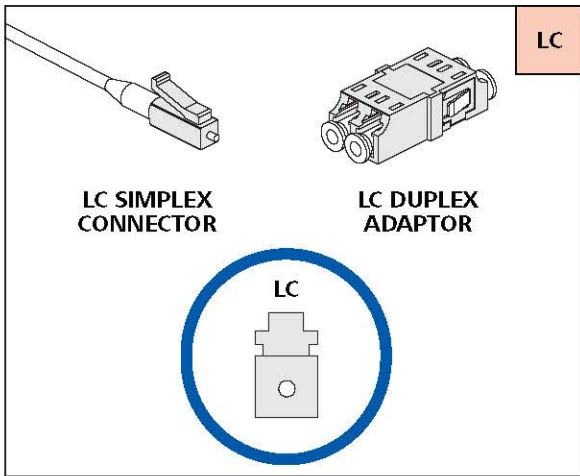
### What you'll need

- 6mm drill bit
- Spirit level
- Fibre patch lead
- If routing through a wall
  - 12mm drill bit
  - 12/10 duct

EXAMPLE INSTALLATIONS

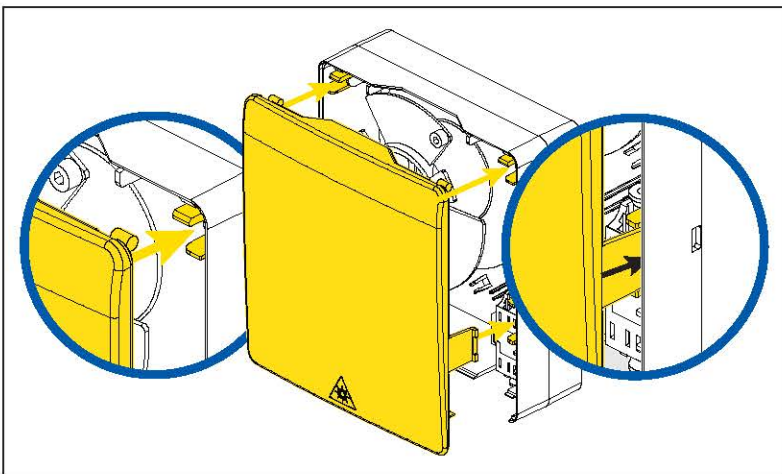
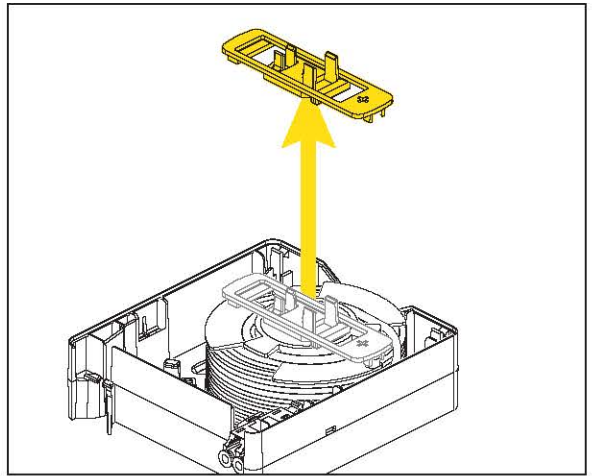
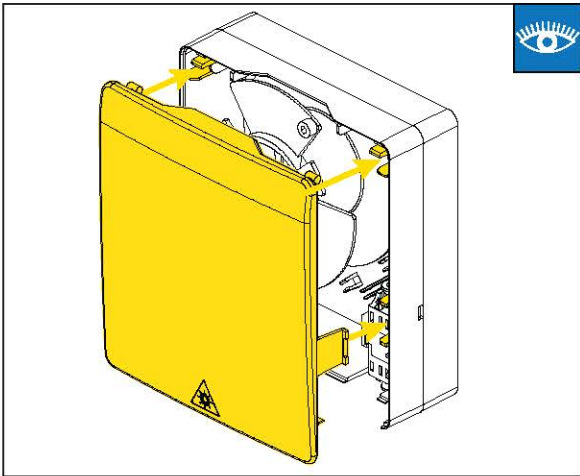
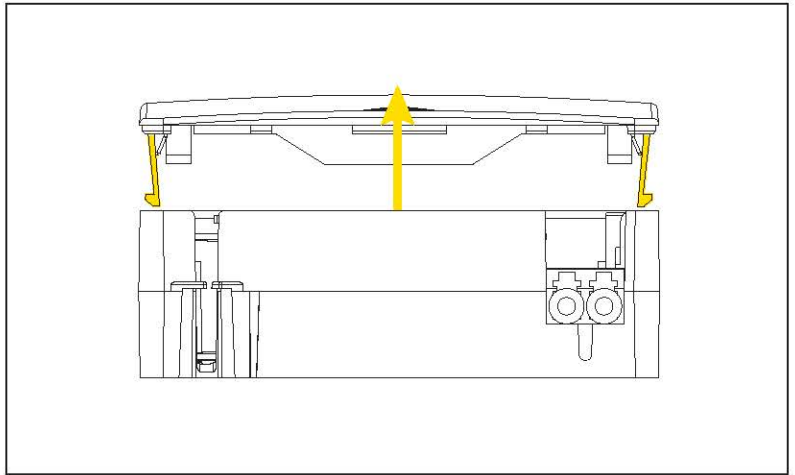
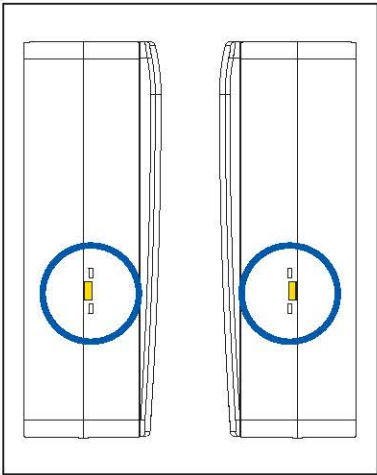
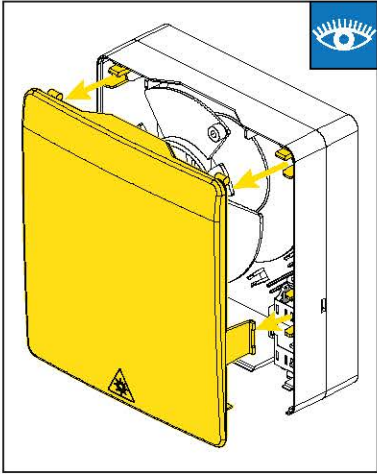


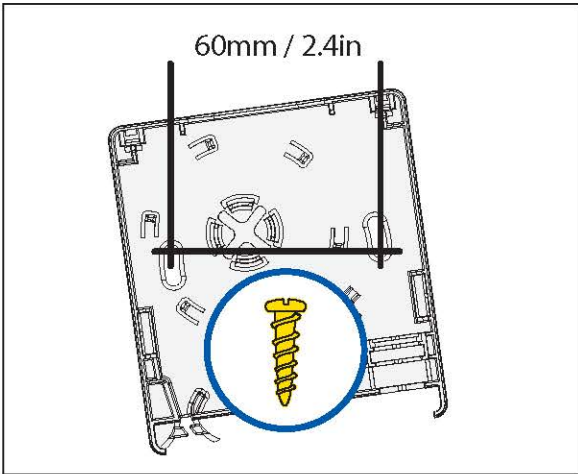
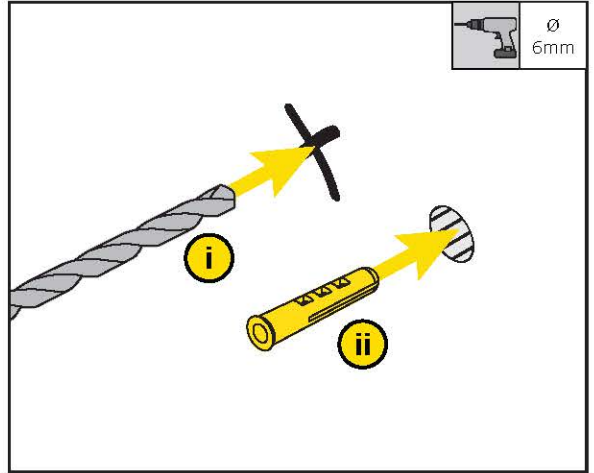
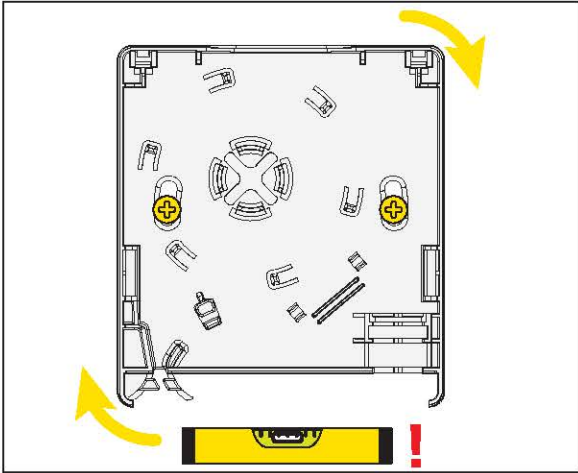
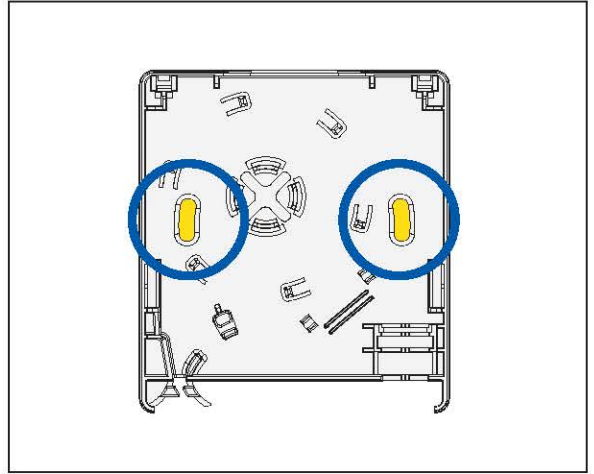
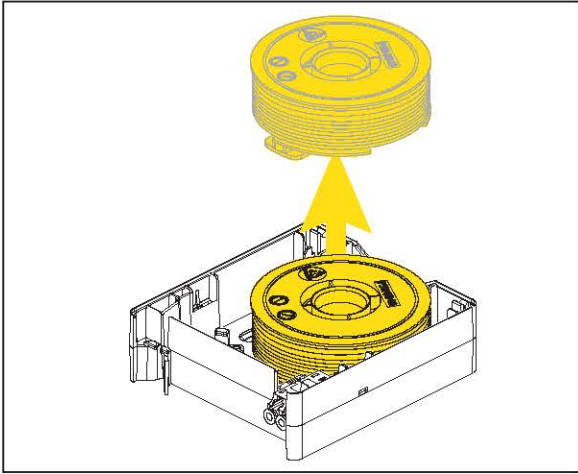
IDENTIFYING YOUR EQUIPMENT

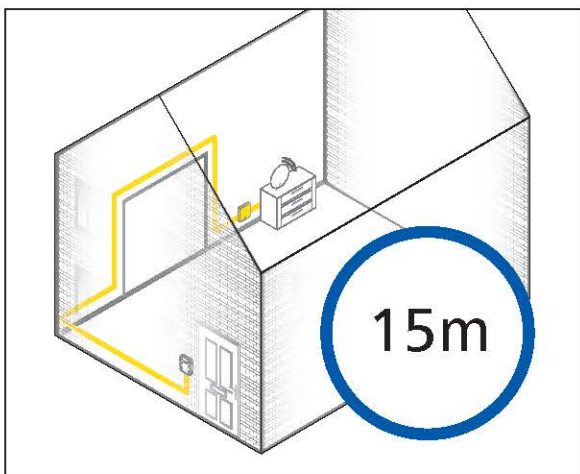
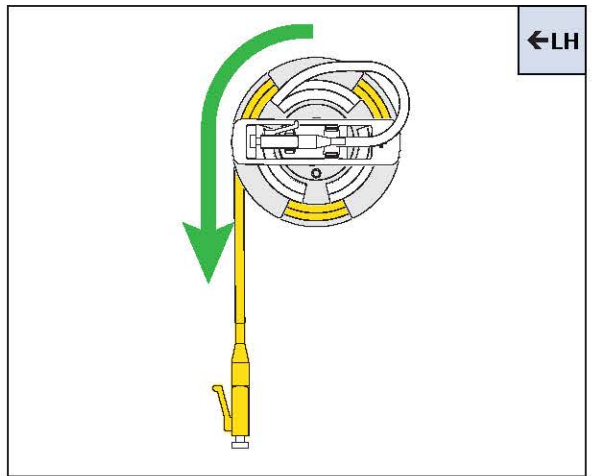
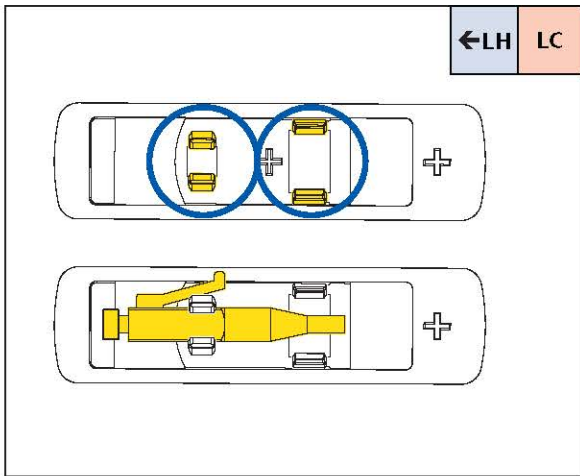
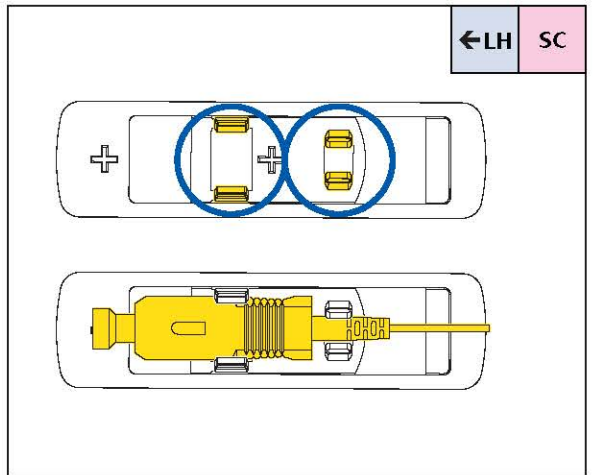
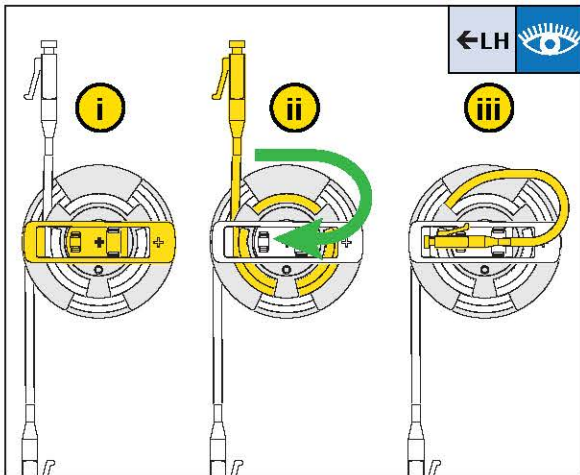
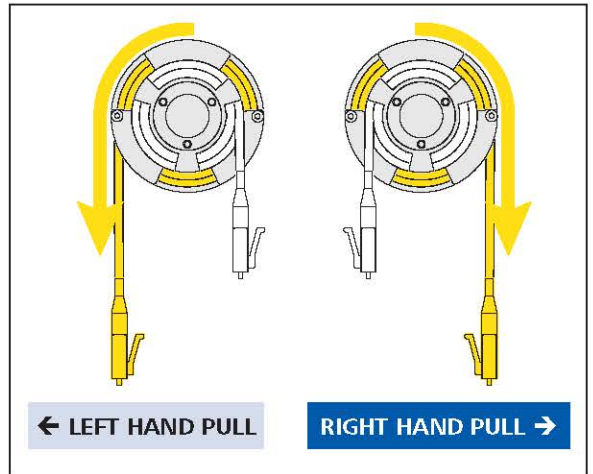
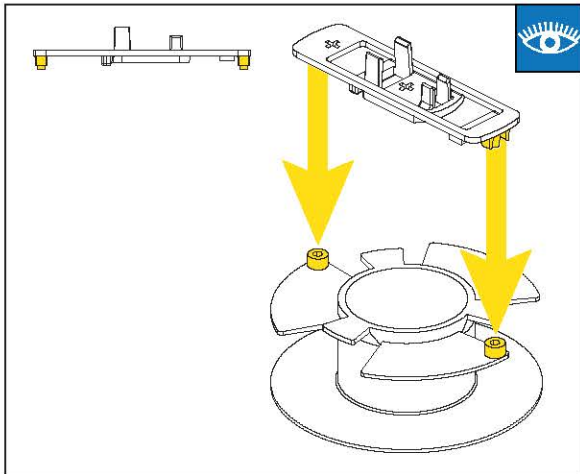


# A

## OPENING AND CLOSING

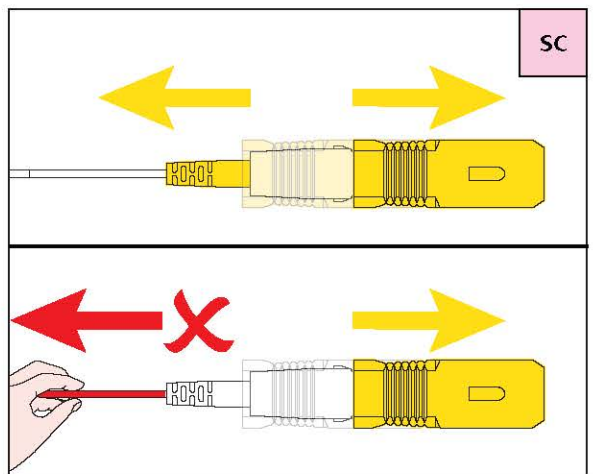
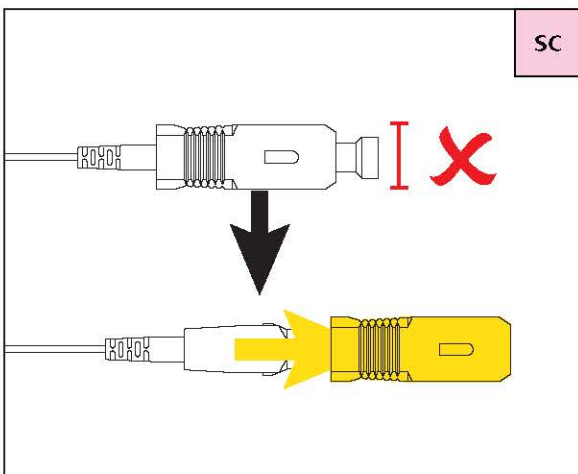
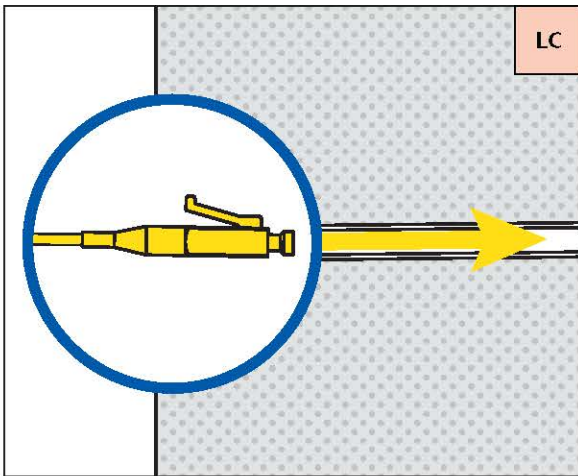
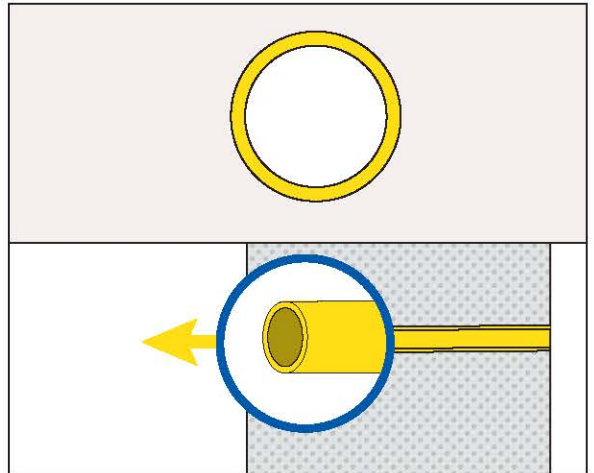
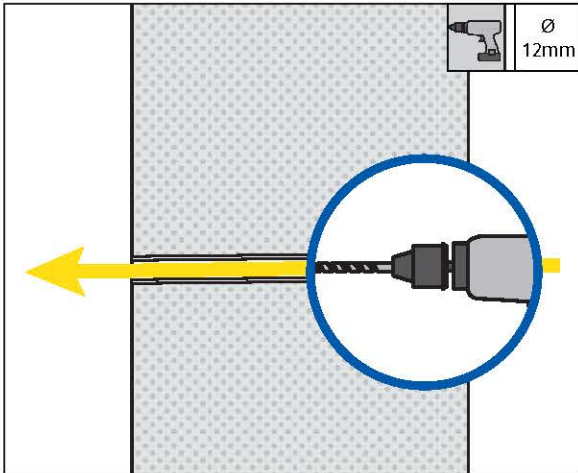
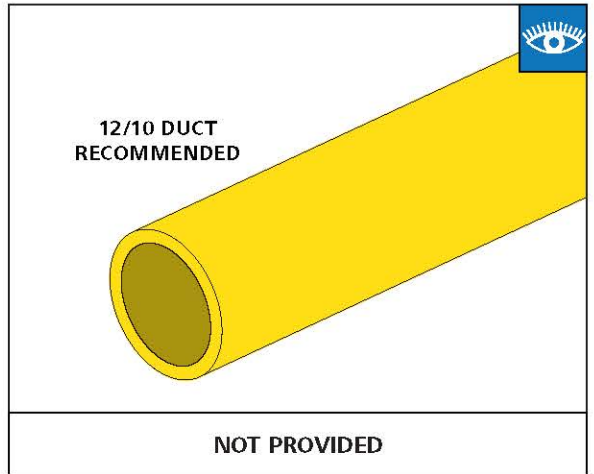
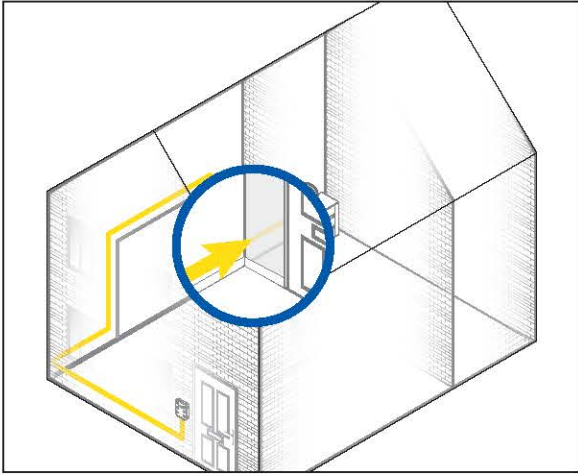


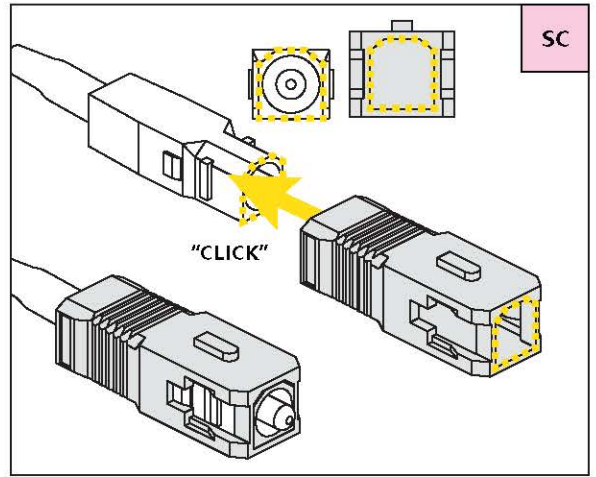
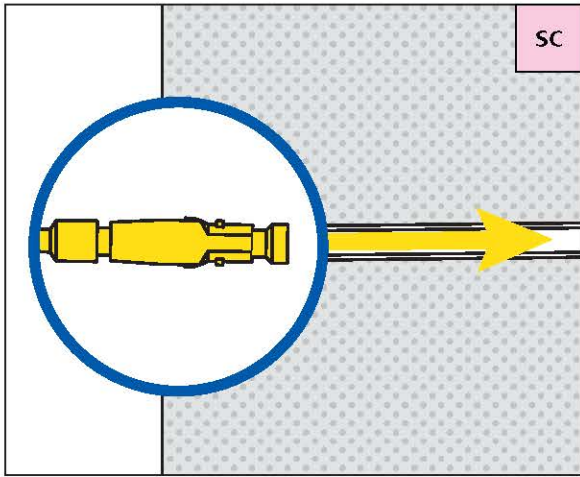
**B****WALL MOUNTING**

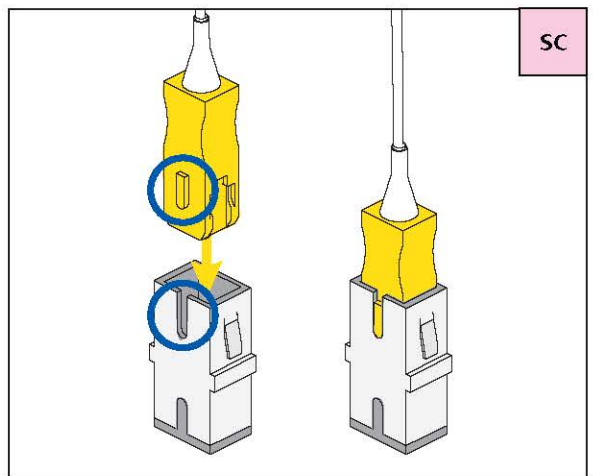
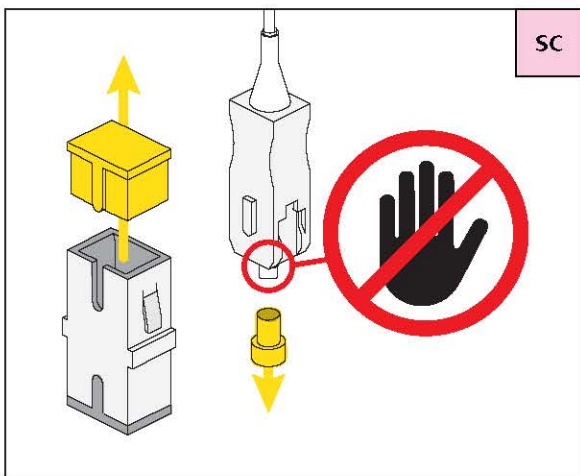
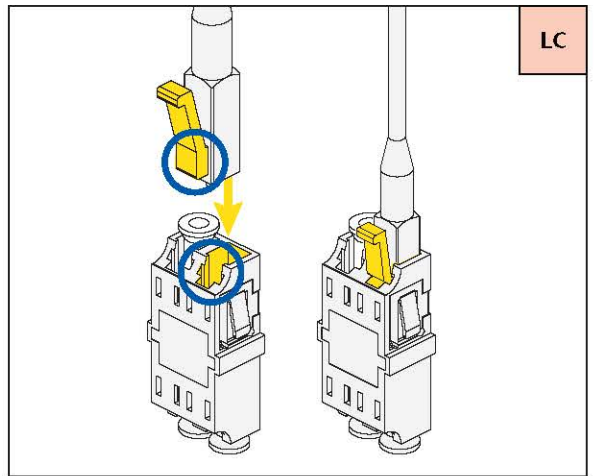
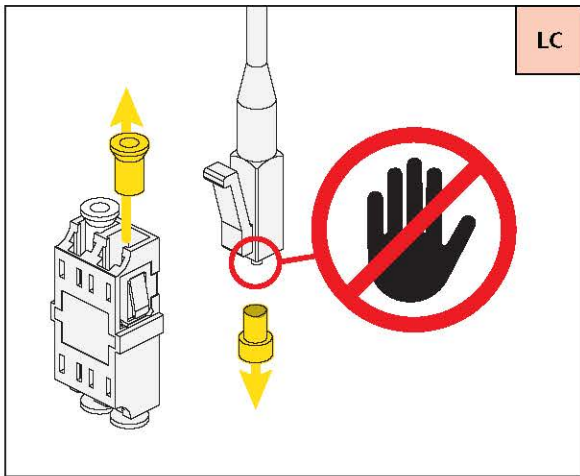
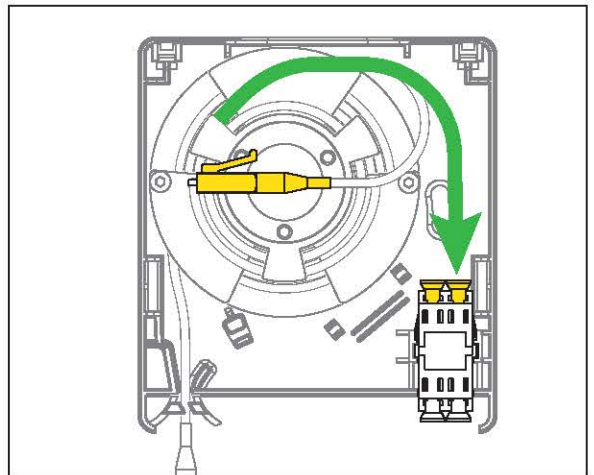
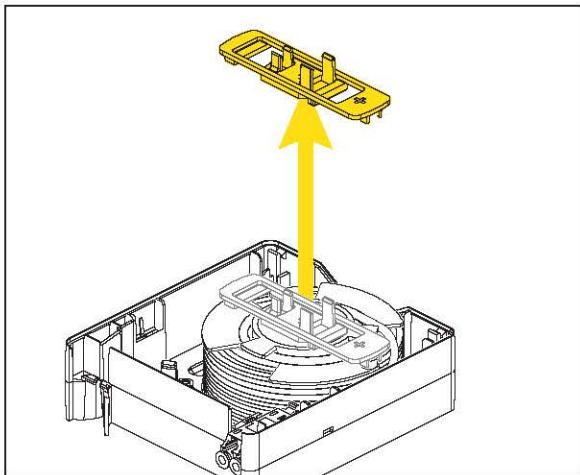
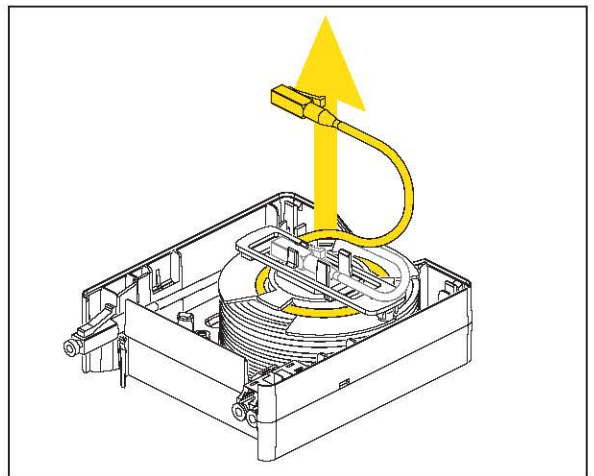
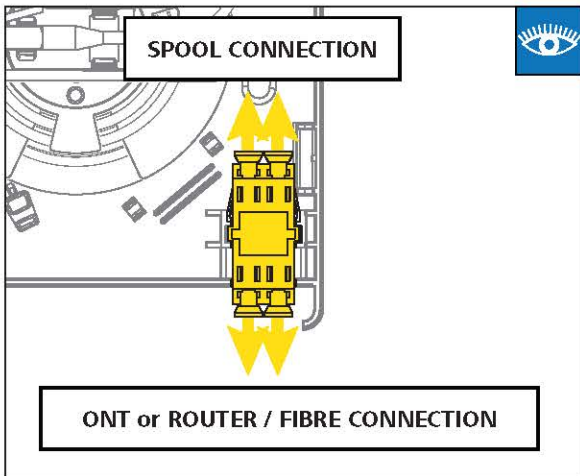


# E

## THROUGH THE WALL PREPARATION

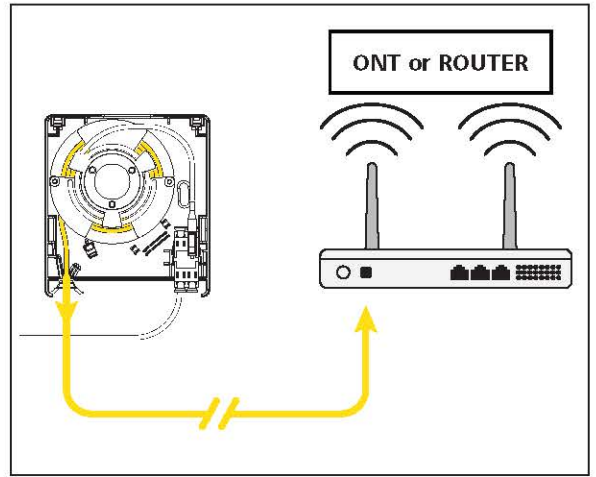
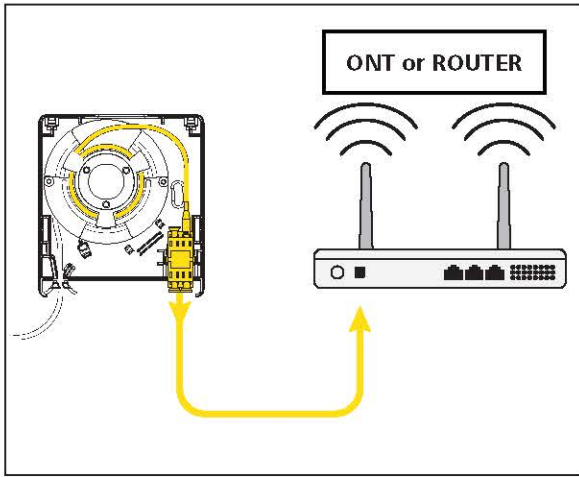






# G

## ADAPTOR CONNECTION



# H

## SPLICING

