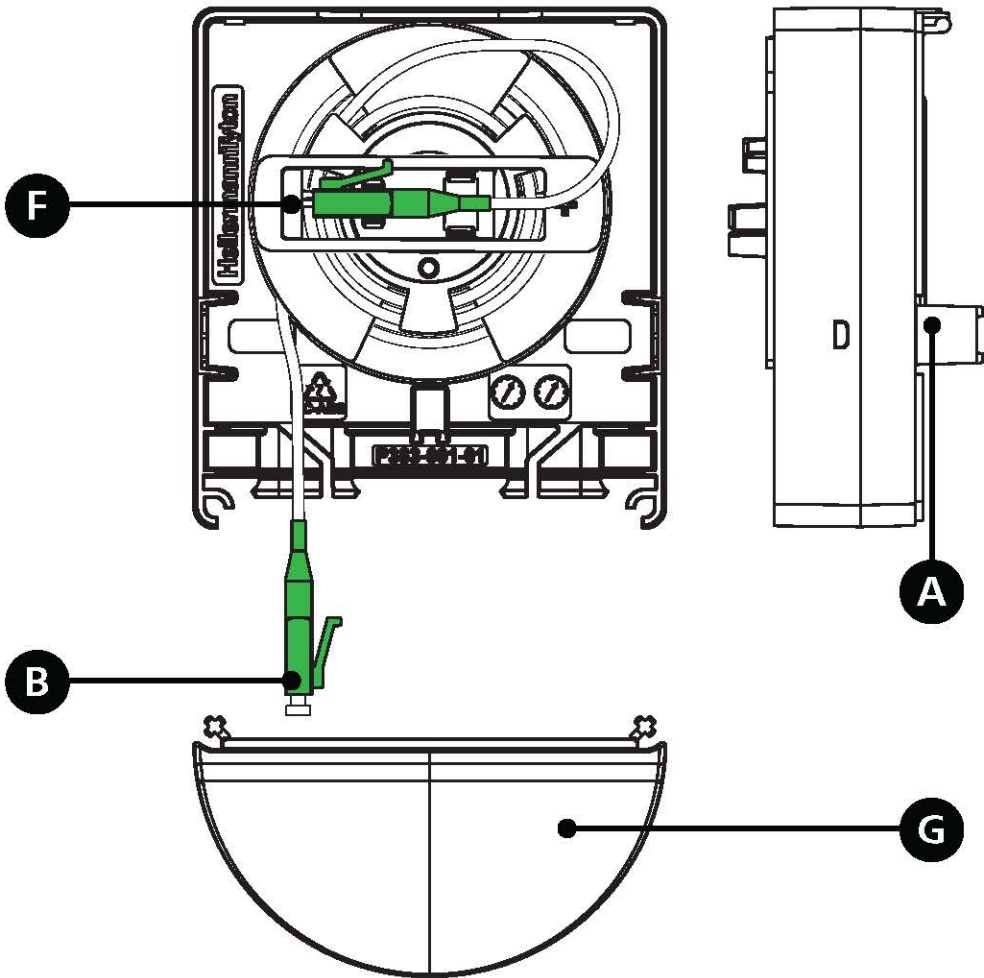
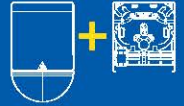




FWOE Fibre Wall Outlet Extension Module

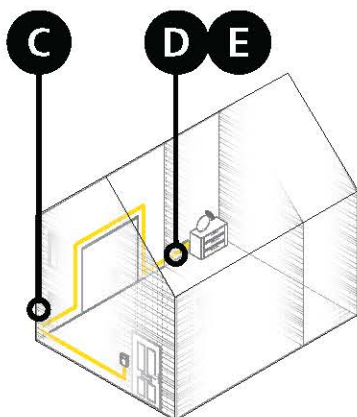
THIS PRODUCT REQUIRES AN EXISTING FIBRE WALL OUTLET (FWO) TO BE CONNECTED.



CAUTION: LASER
Do not look into beam.

!
Please read the installation instructions carefully before fitting.

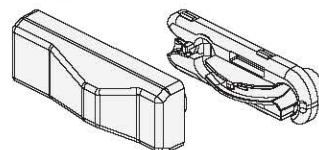
If you have any uncertainty with regards to fitting this product, please consult a skilled installer.



In the box

Fixing Kit

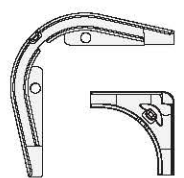
2x 2x



Cable Management Kit

2x Through the Wall Managers

4x External Corners

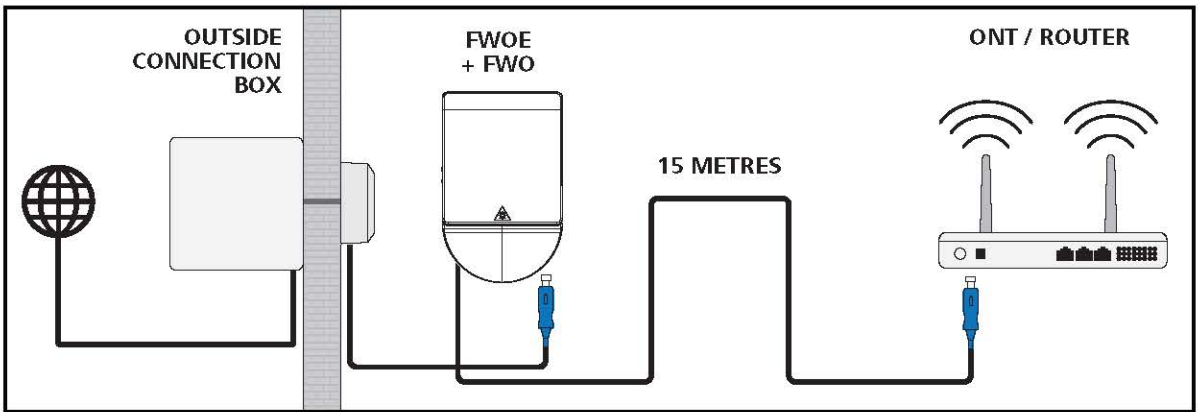
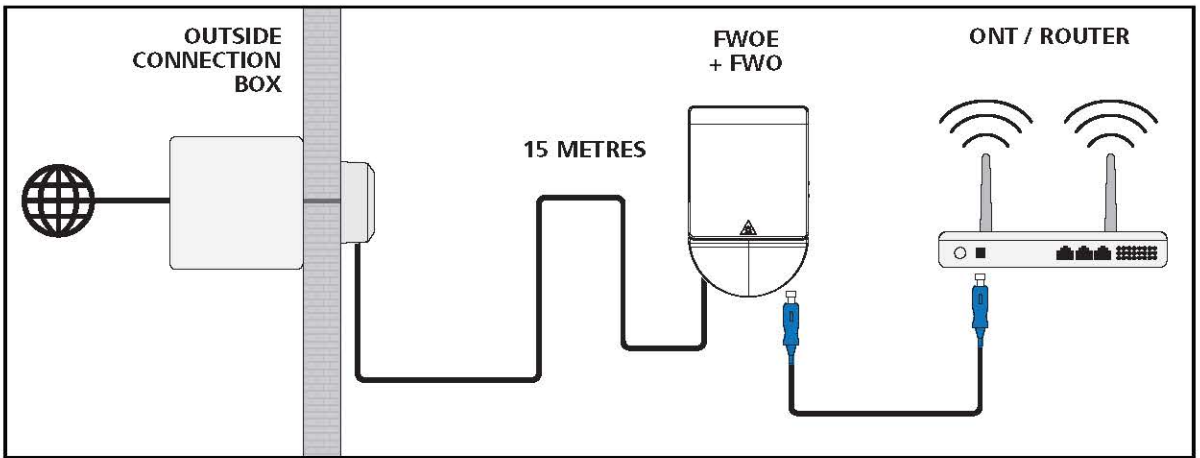


4x Internal Corners

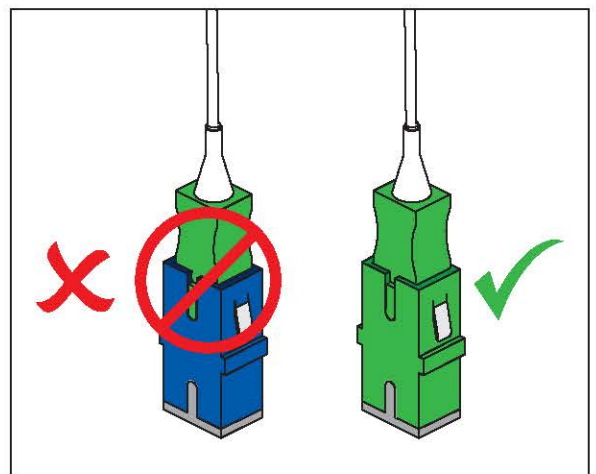
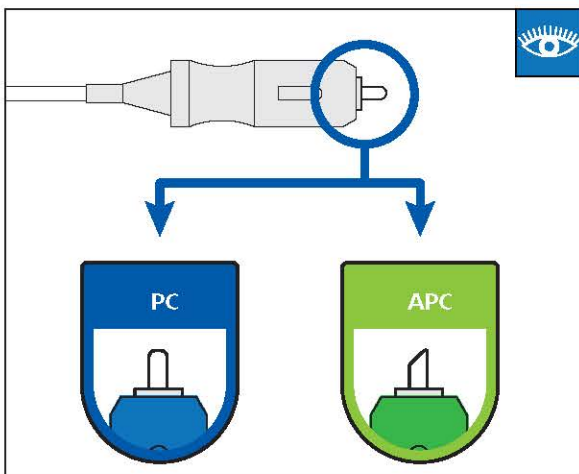
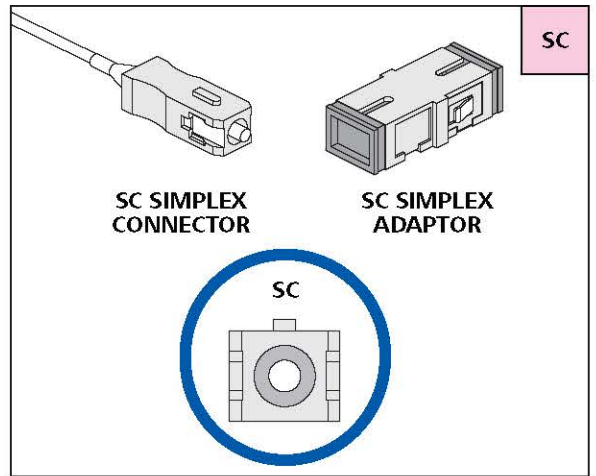
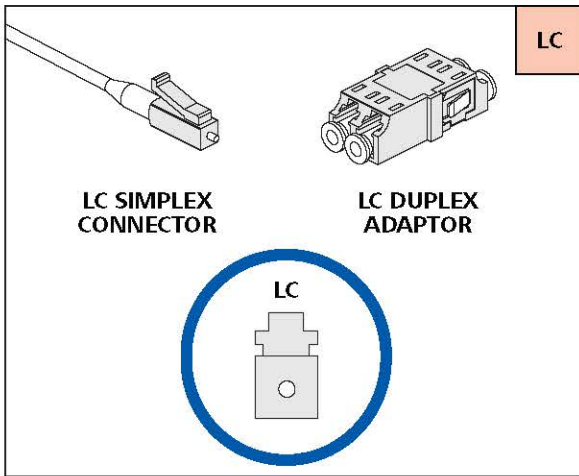
What you'll need

- 6mm drill bit
- Spirit level
- Fibre patch lead
- If routing through a wall
 - 12mm drill bit
 - 12/10 duct

EXAMPLE INSTALLATIONS



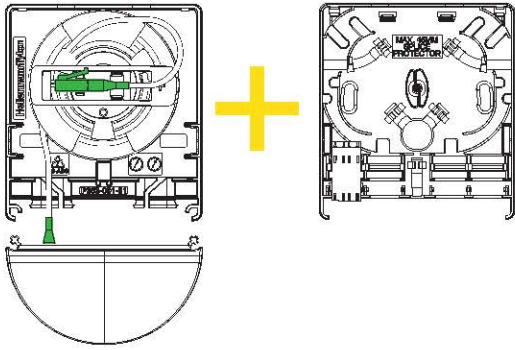
IDENTIFYING YOUR EQUIPMENT



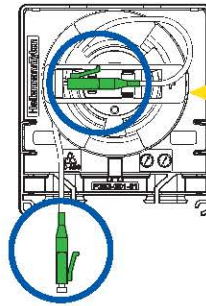
A

OPENING

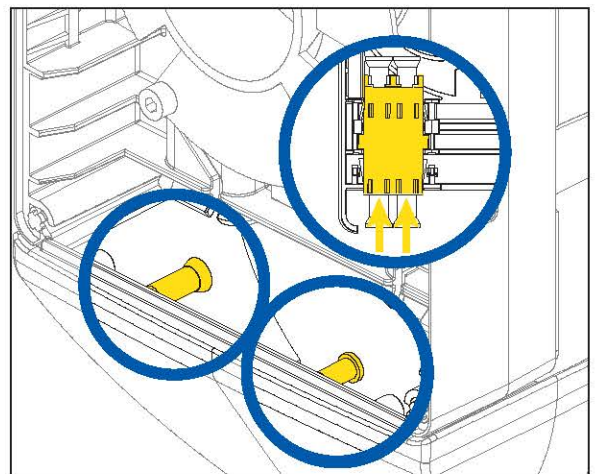
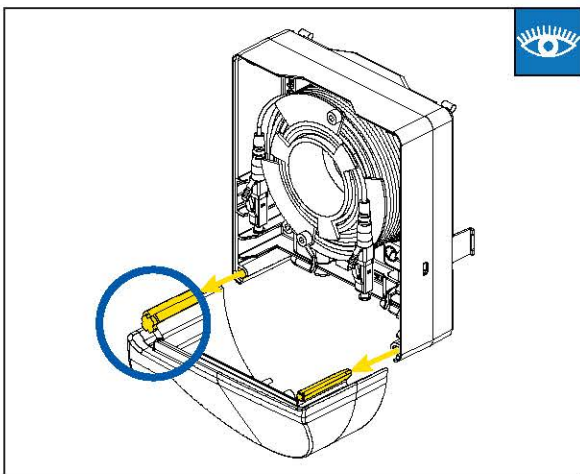
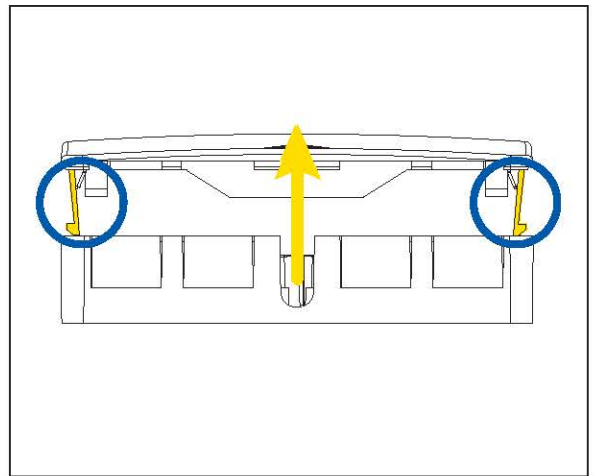
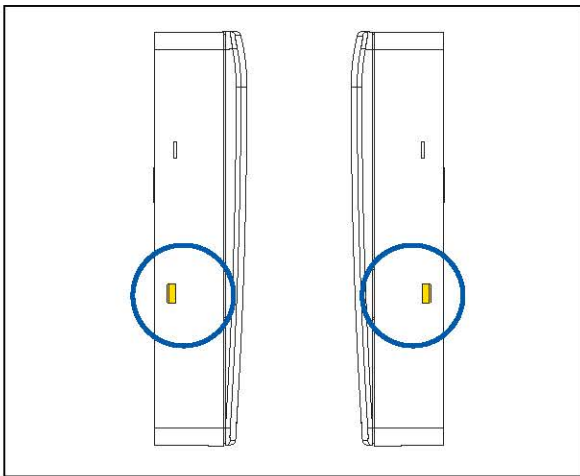
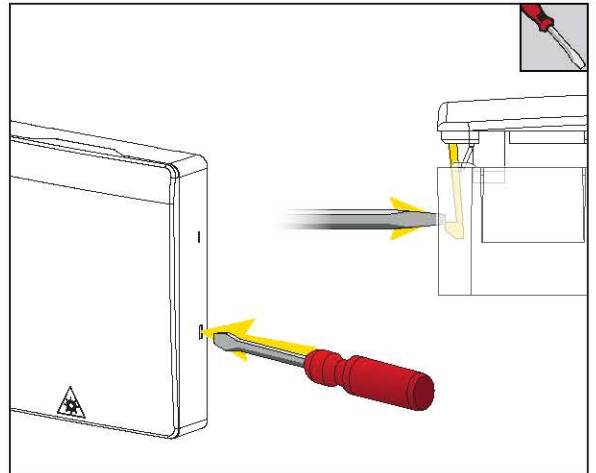
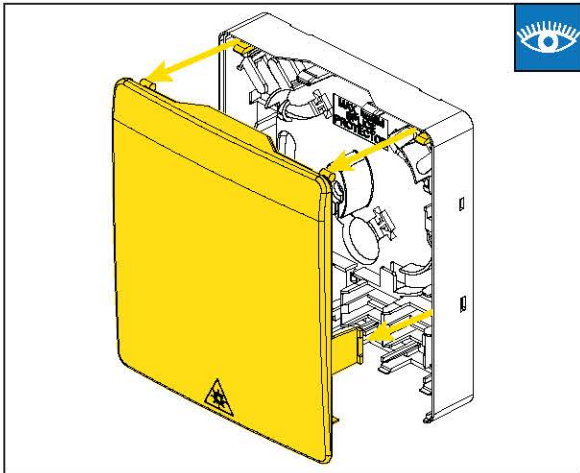
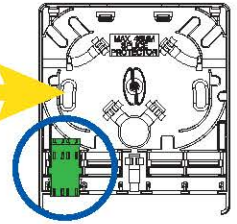
EXISTING FIBRE WALL OUTLET (FWO) REQUIRED FOR FWOE TO BE CONNECTED. 



LC APC CONNECTOR

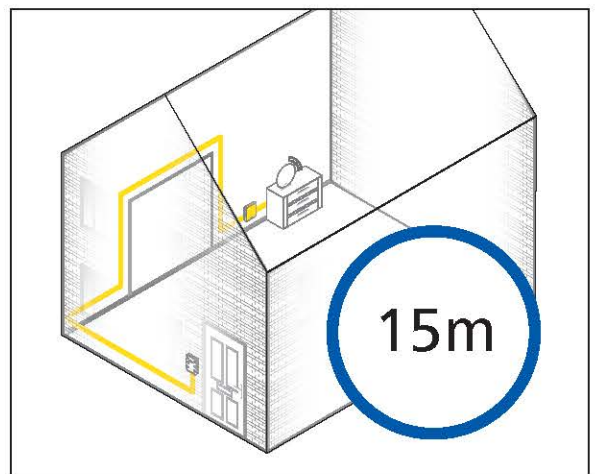
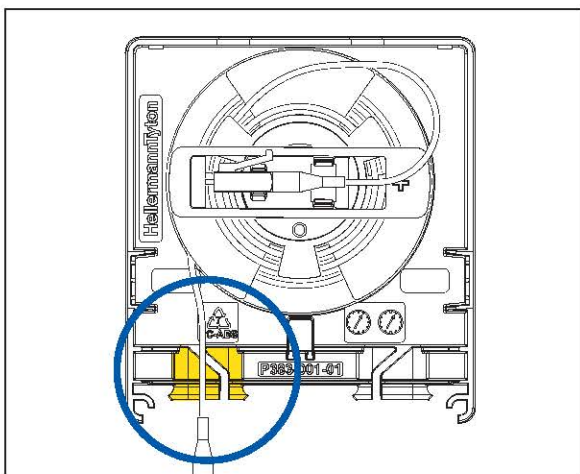
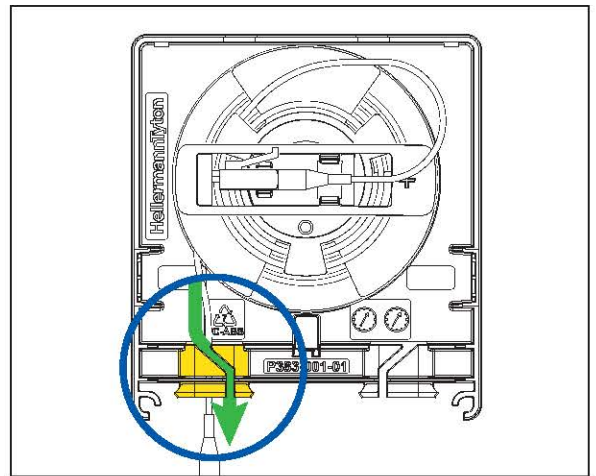
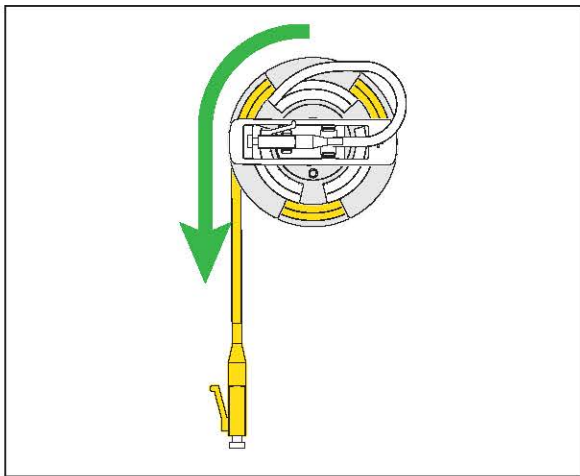
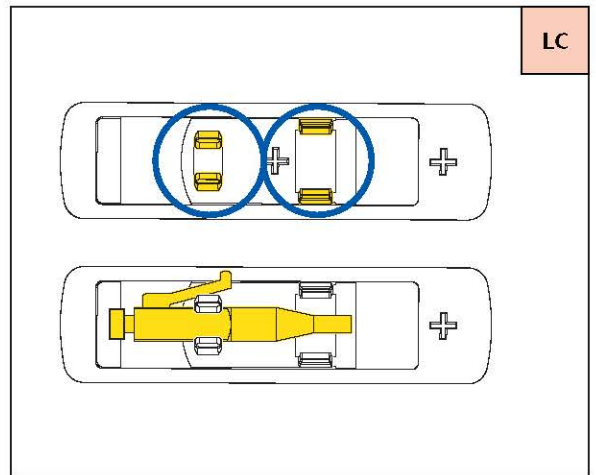
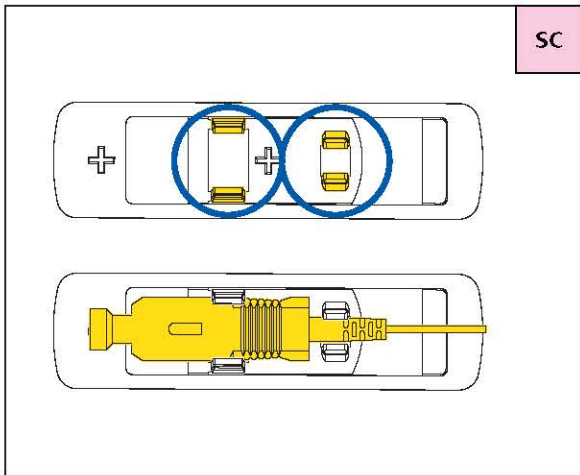
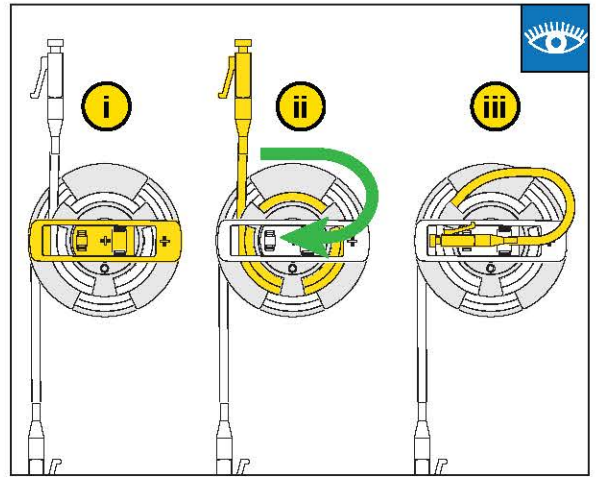
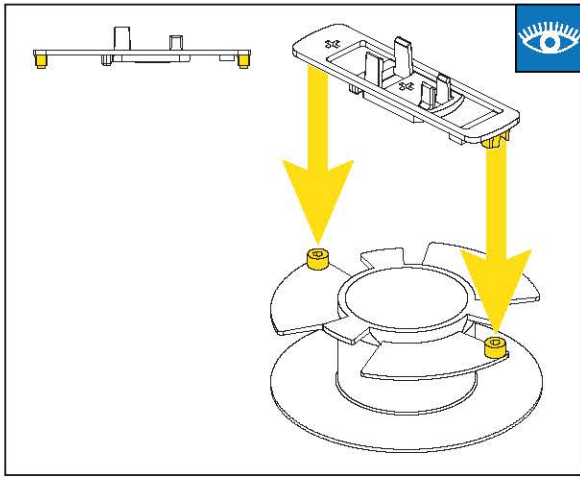


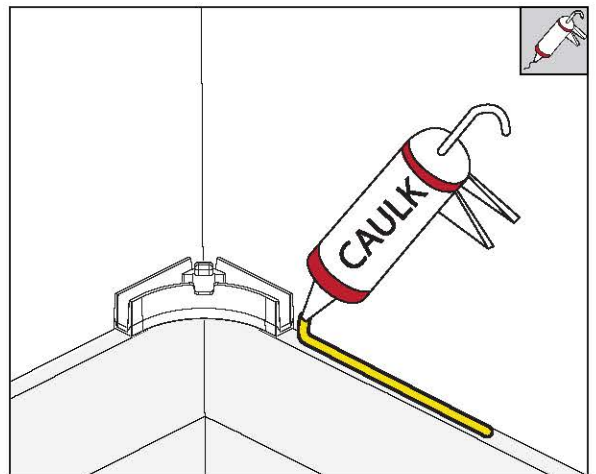
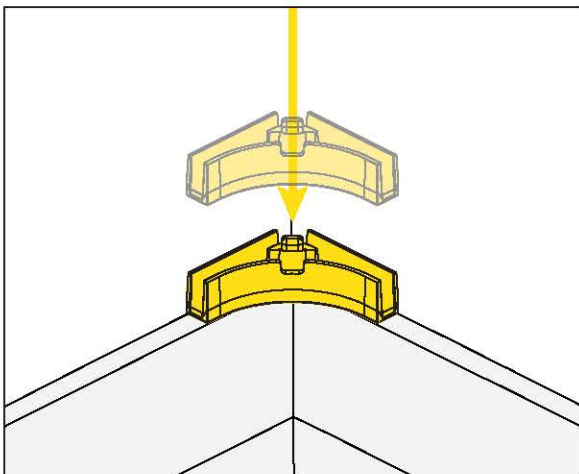
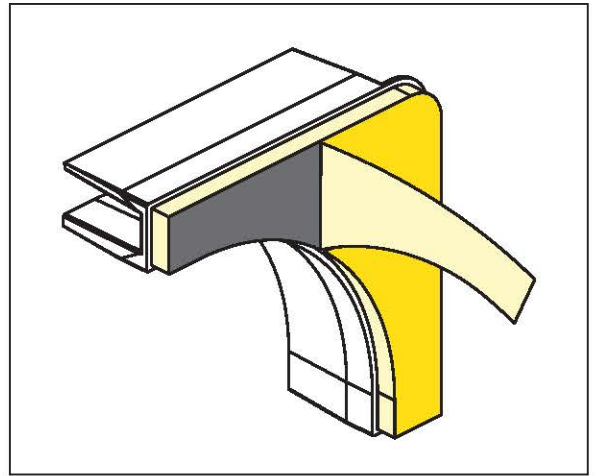
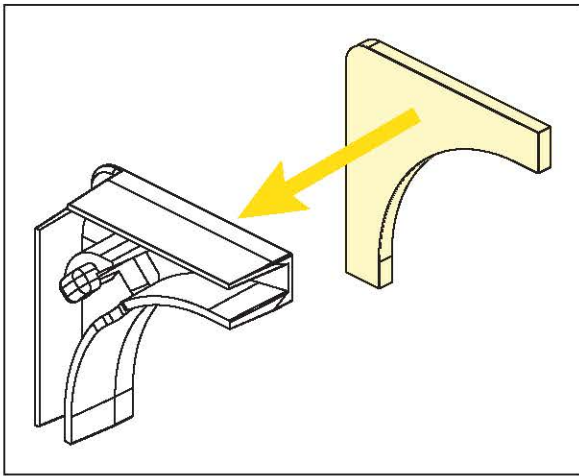
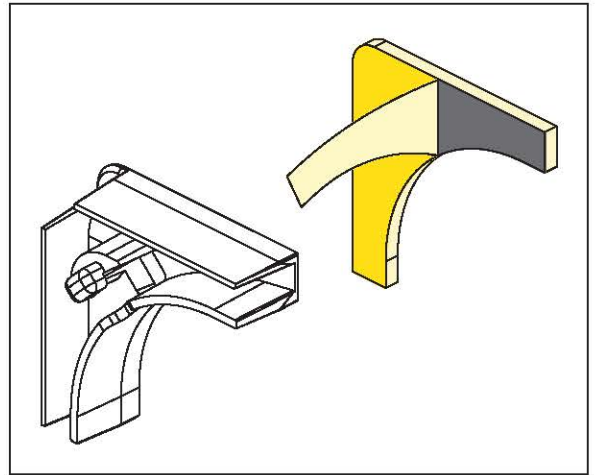
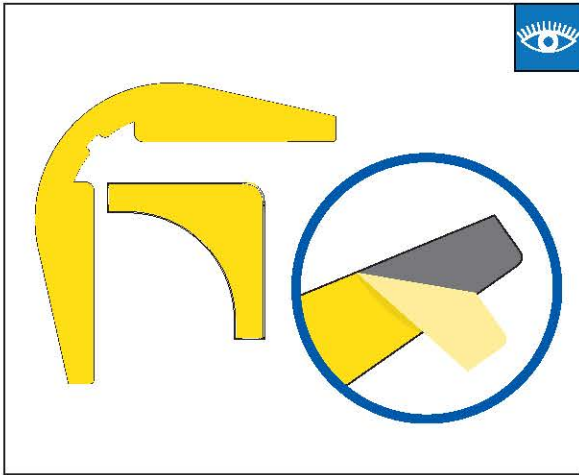
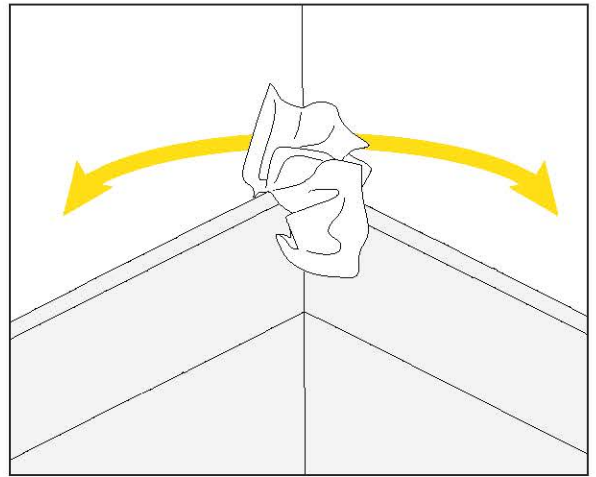
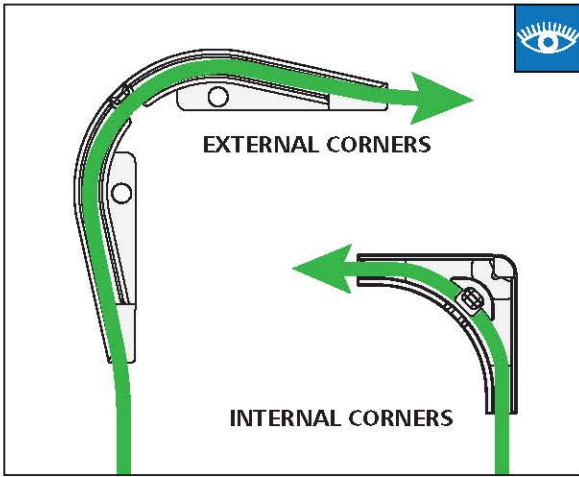
LC APC ADAPTOR

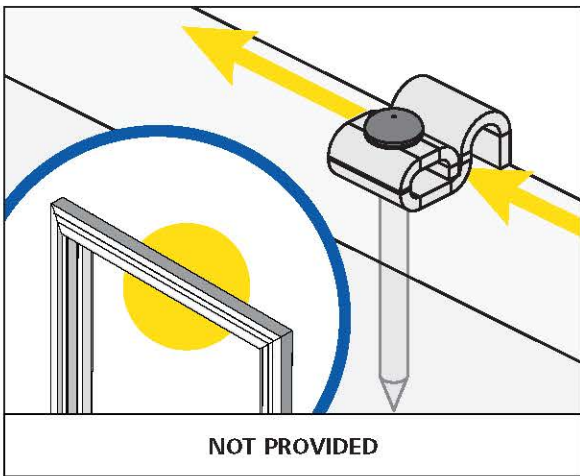
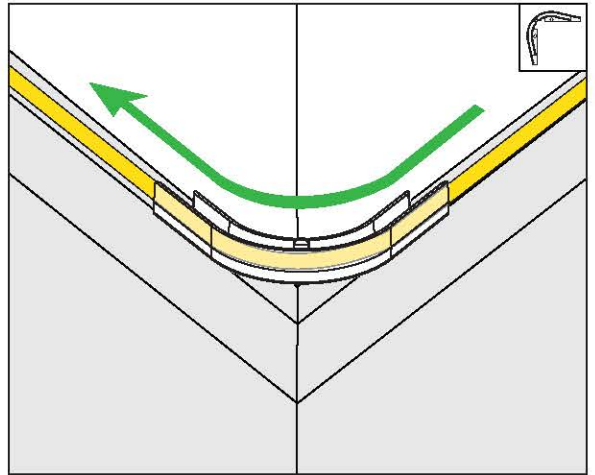
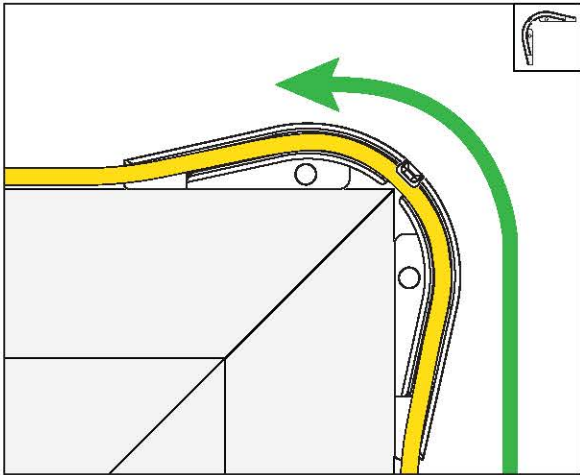
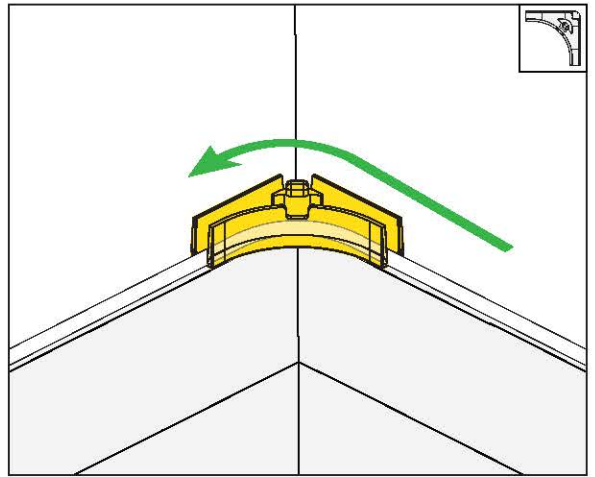
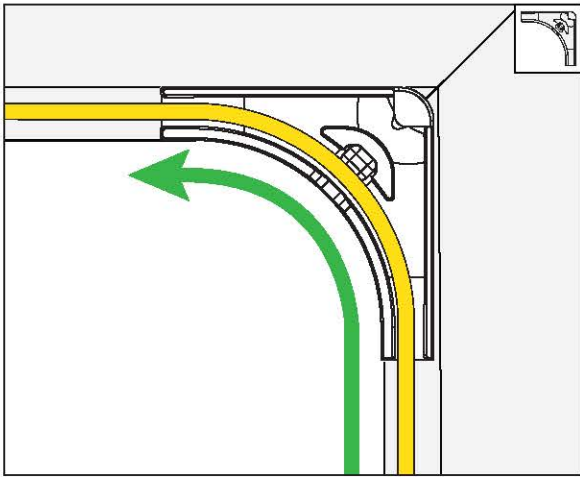


B

ROUTING - FROM THE SPOOL

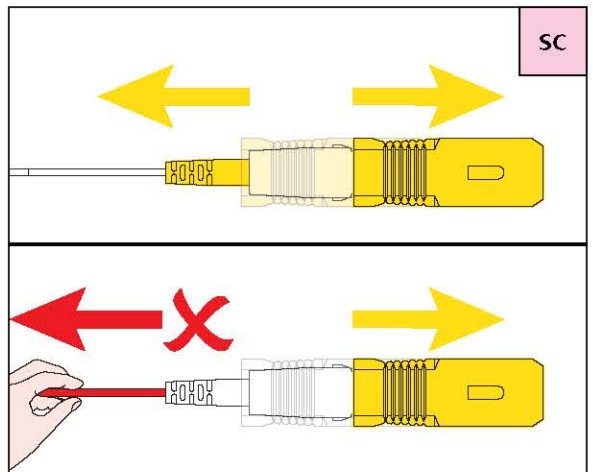
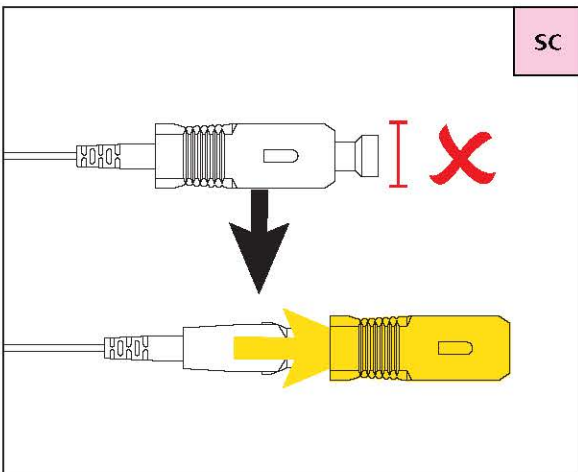
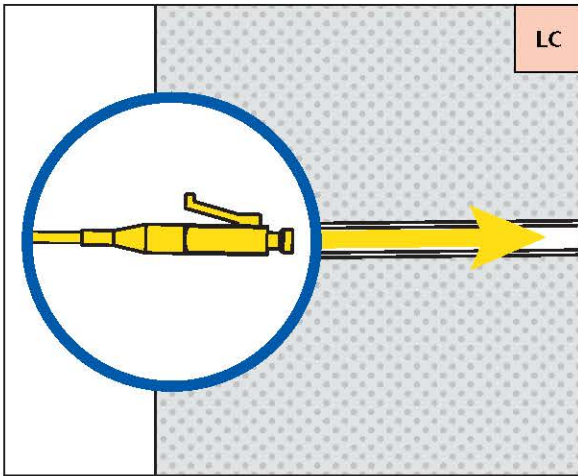
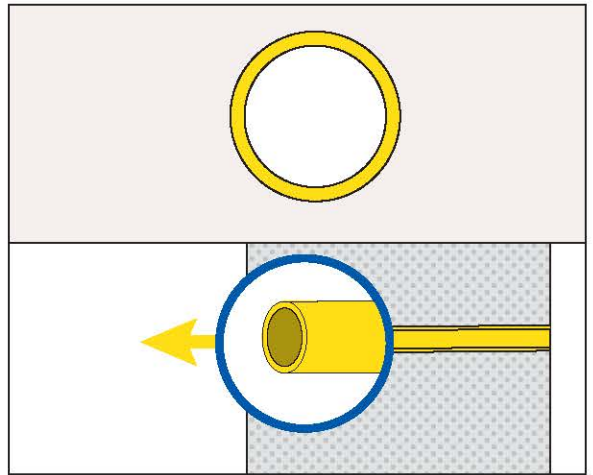
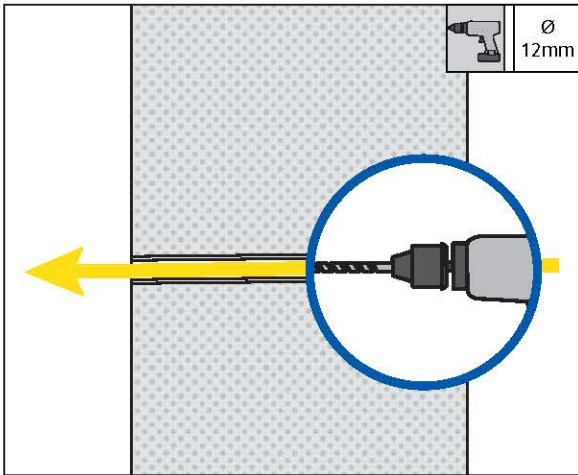
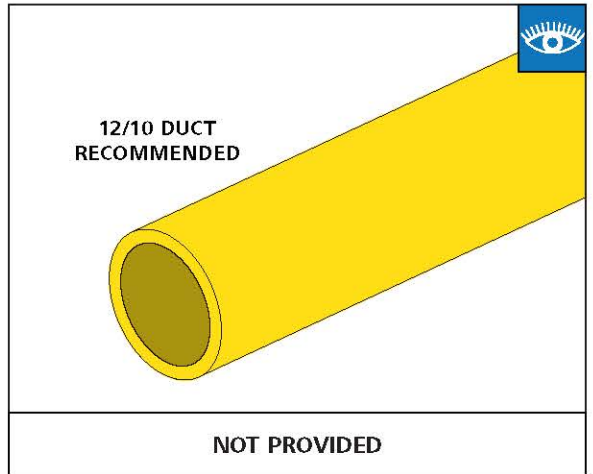
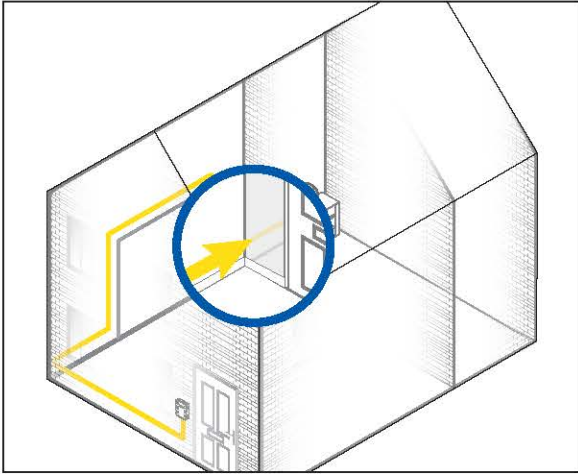






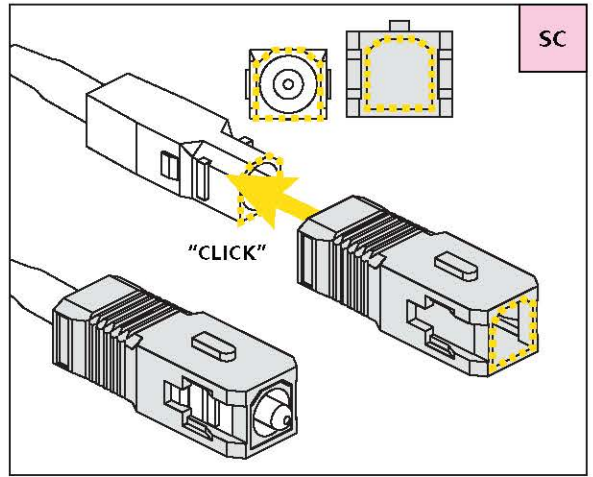
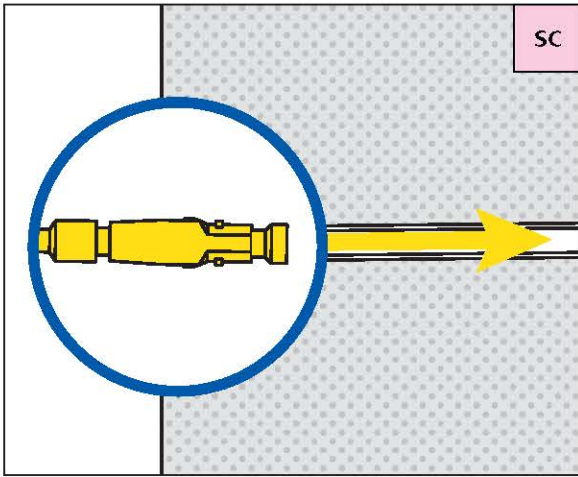
D

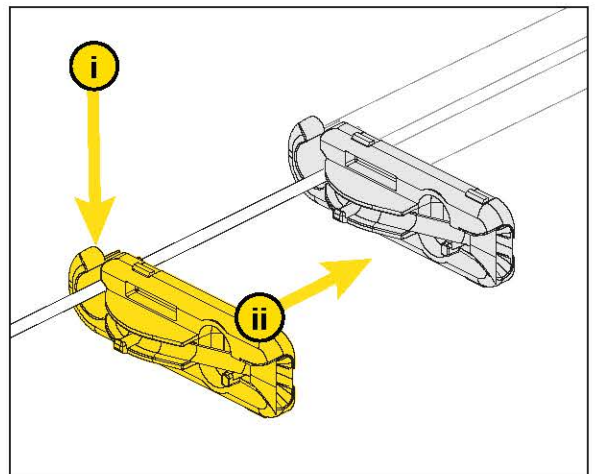
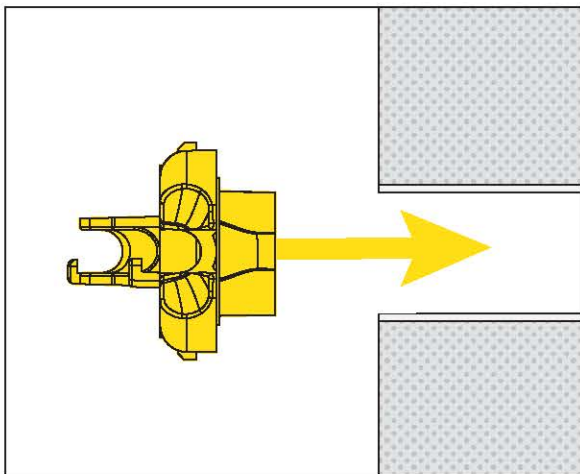
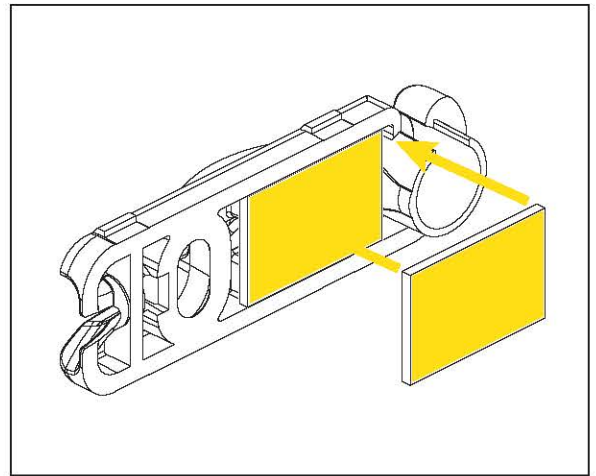
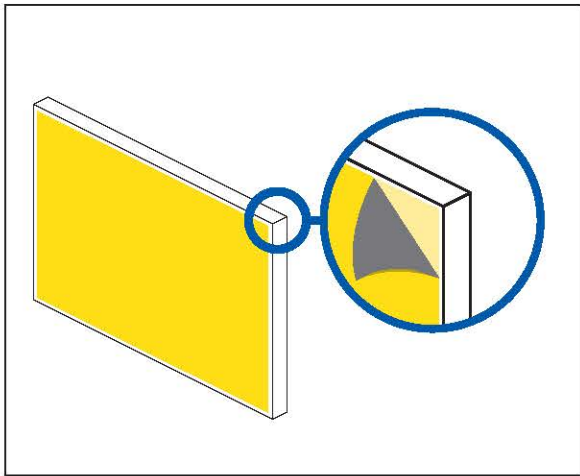
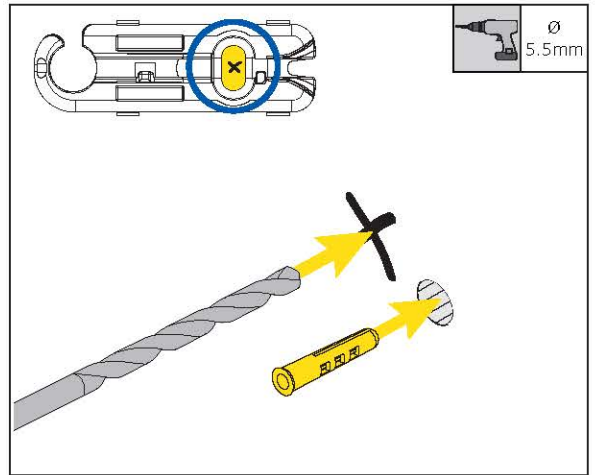
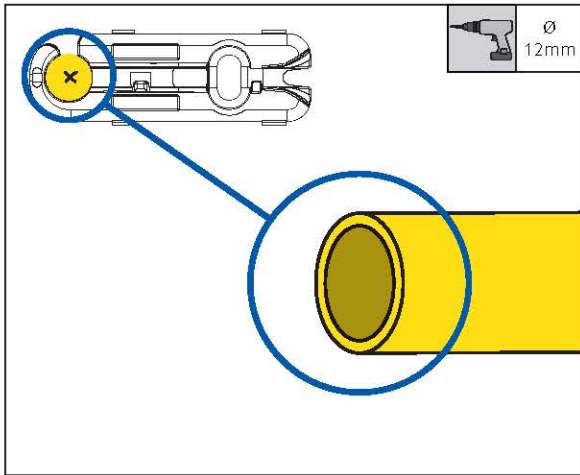
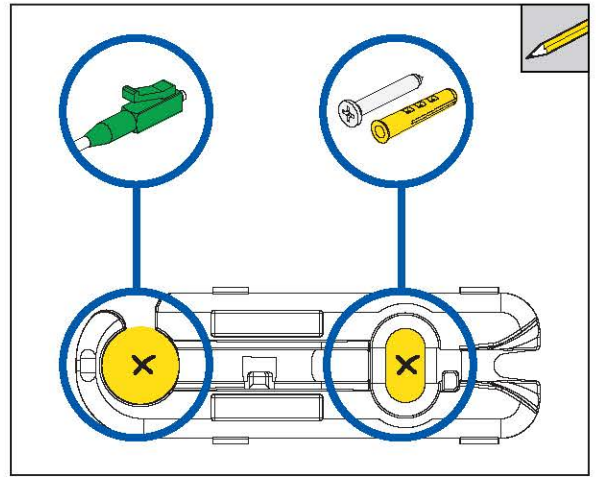
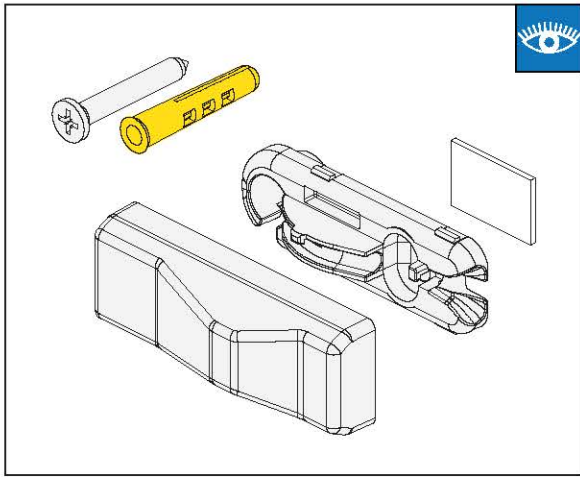
THROUGH THE WALL PREPARATION

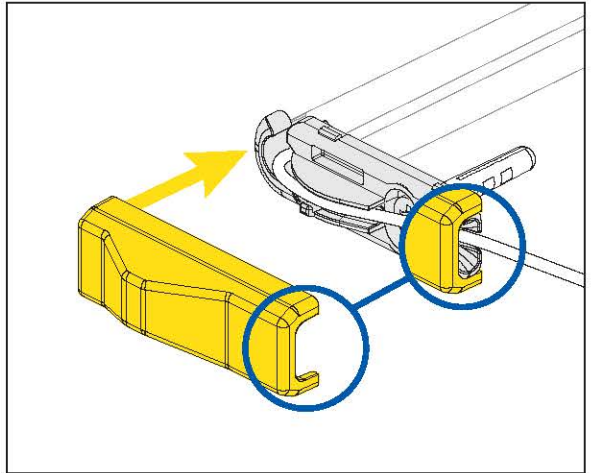
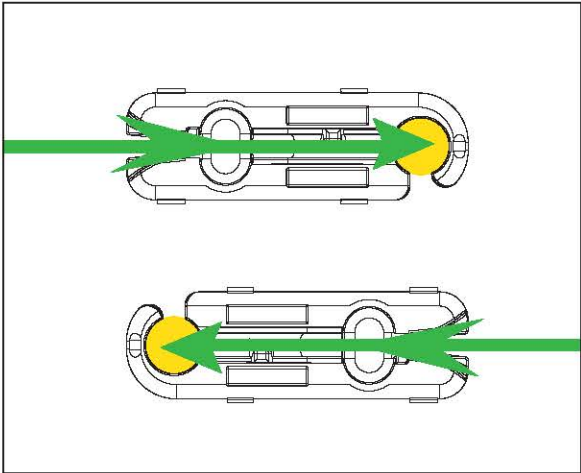
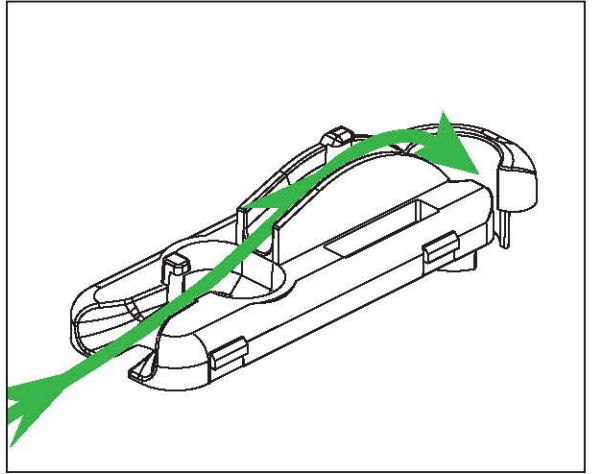
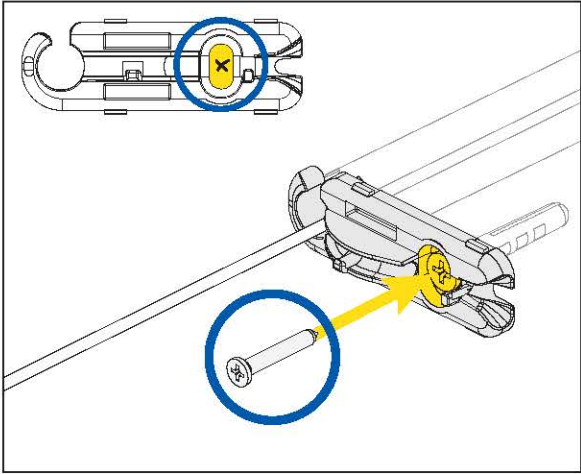


D

THROUGH THE WALL PREPARATION

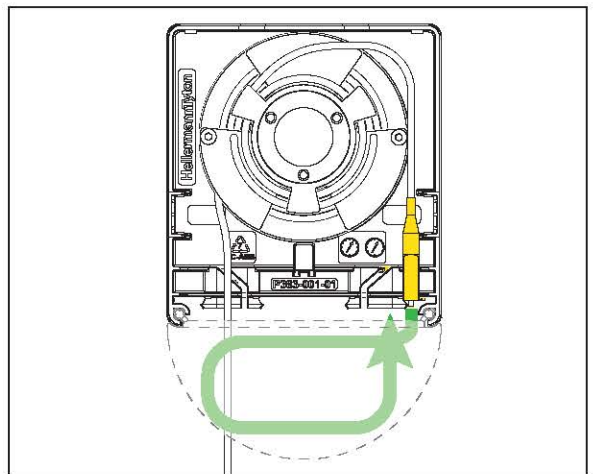
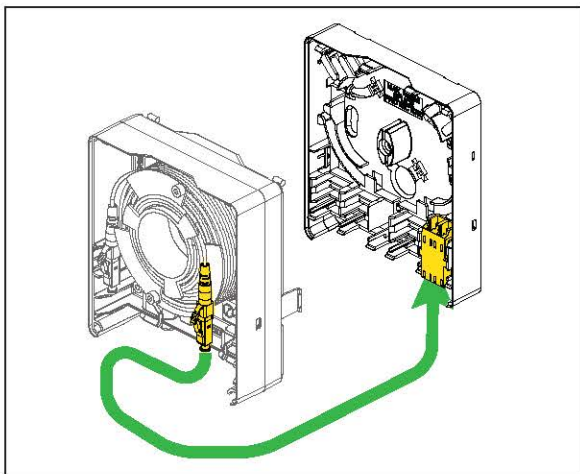
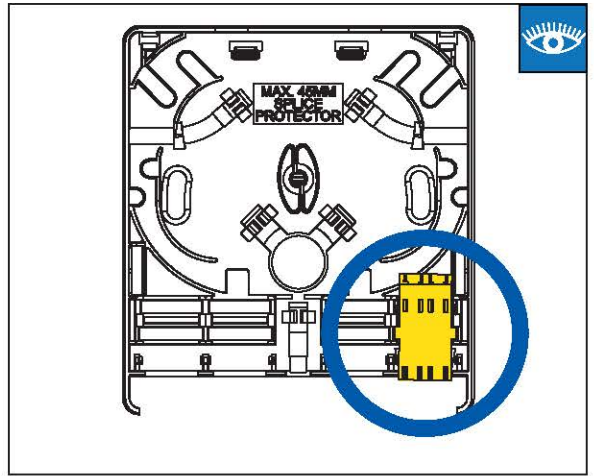
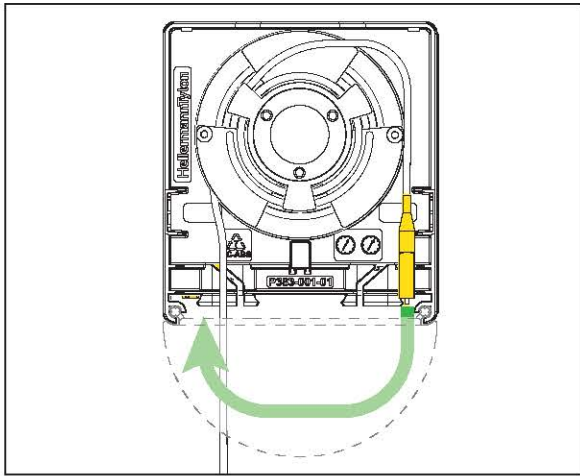
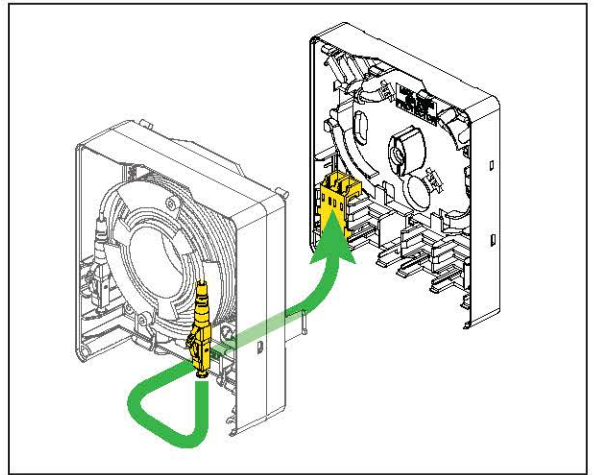
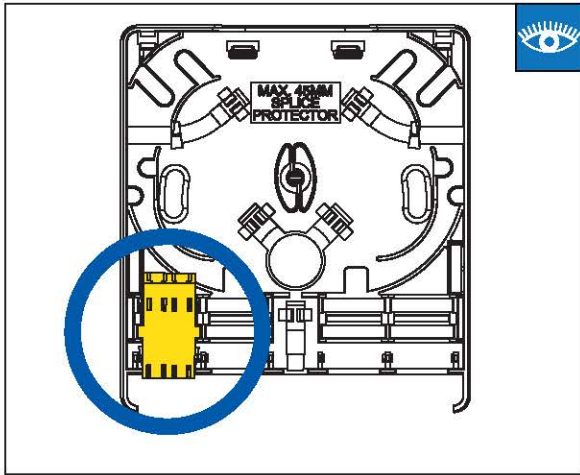
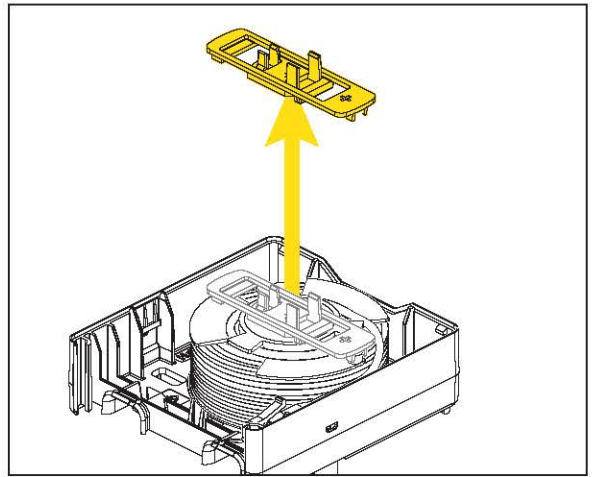
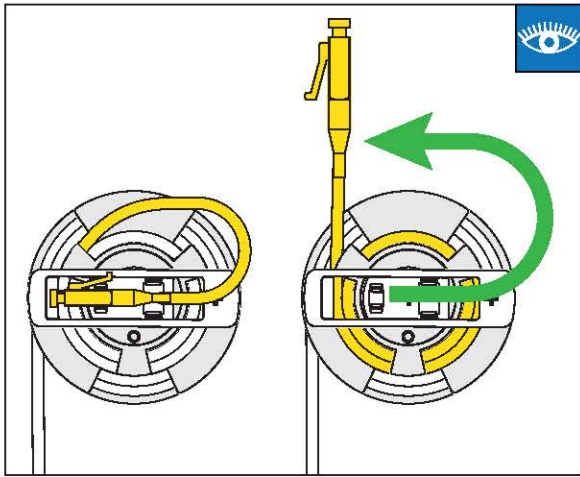






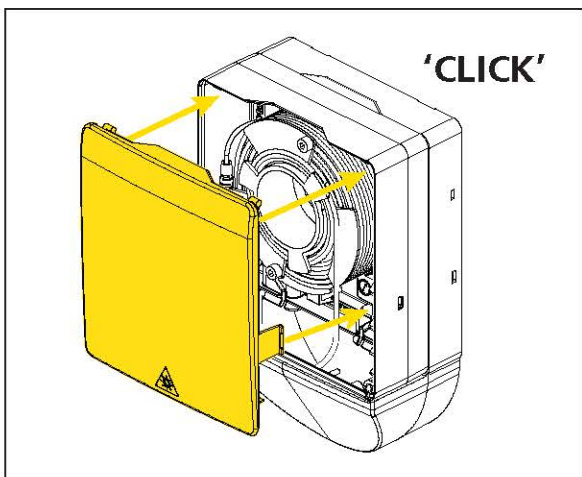
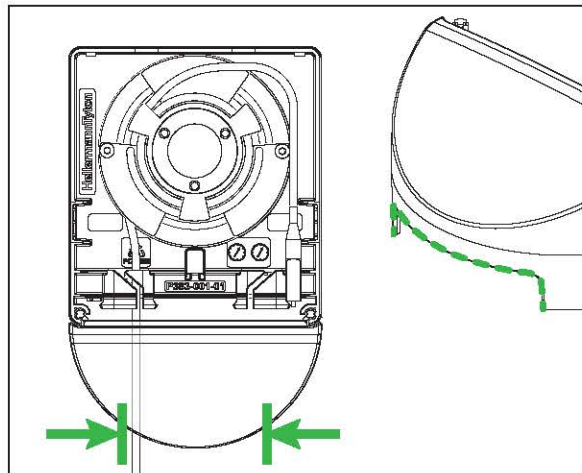
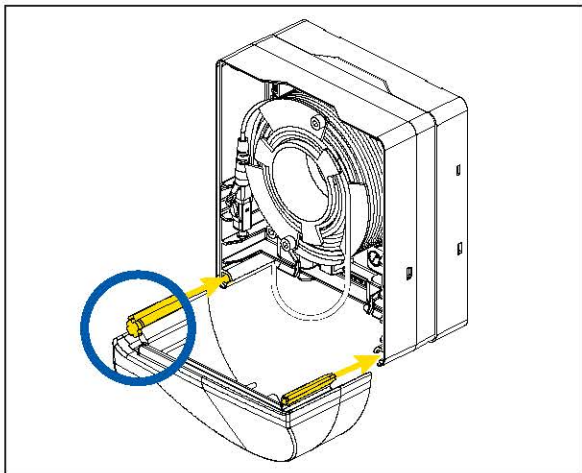
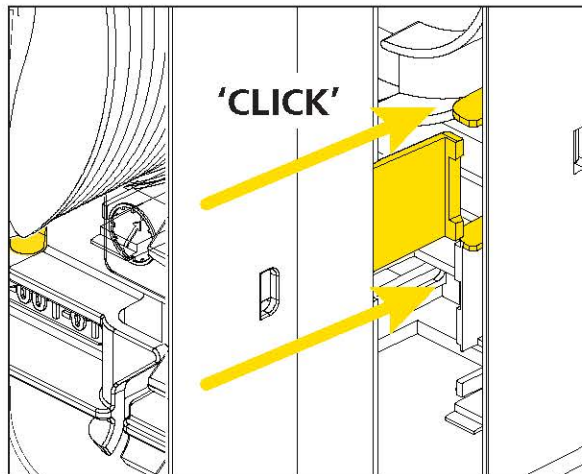
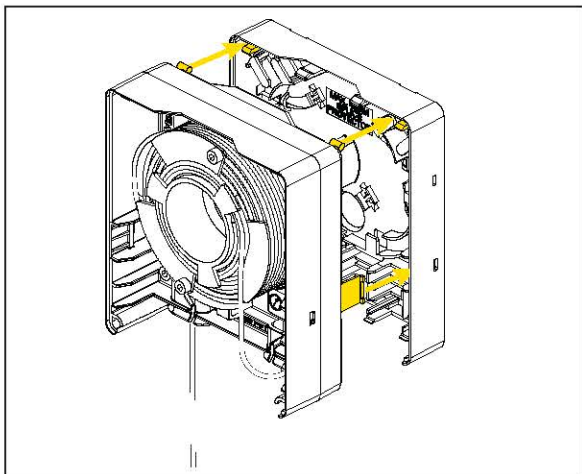
F

ROUTING - CONNECTION TO FIBRE WALL OUTLET



G

CLOSING and REOPENING



G

CLOSING and REOPENING

