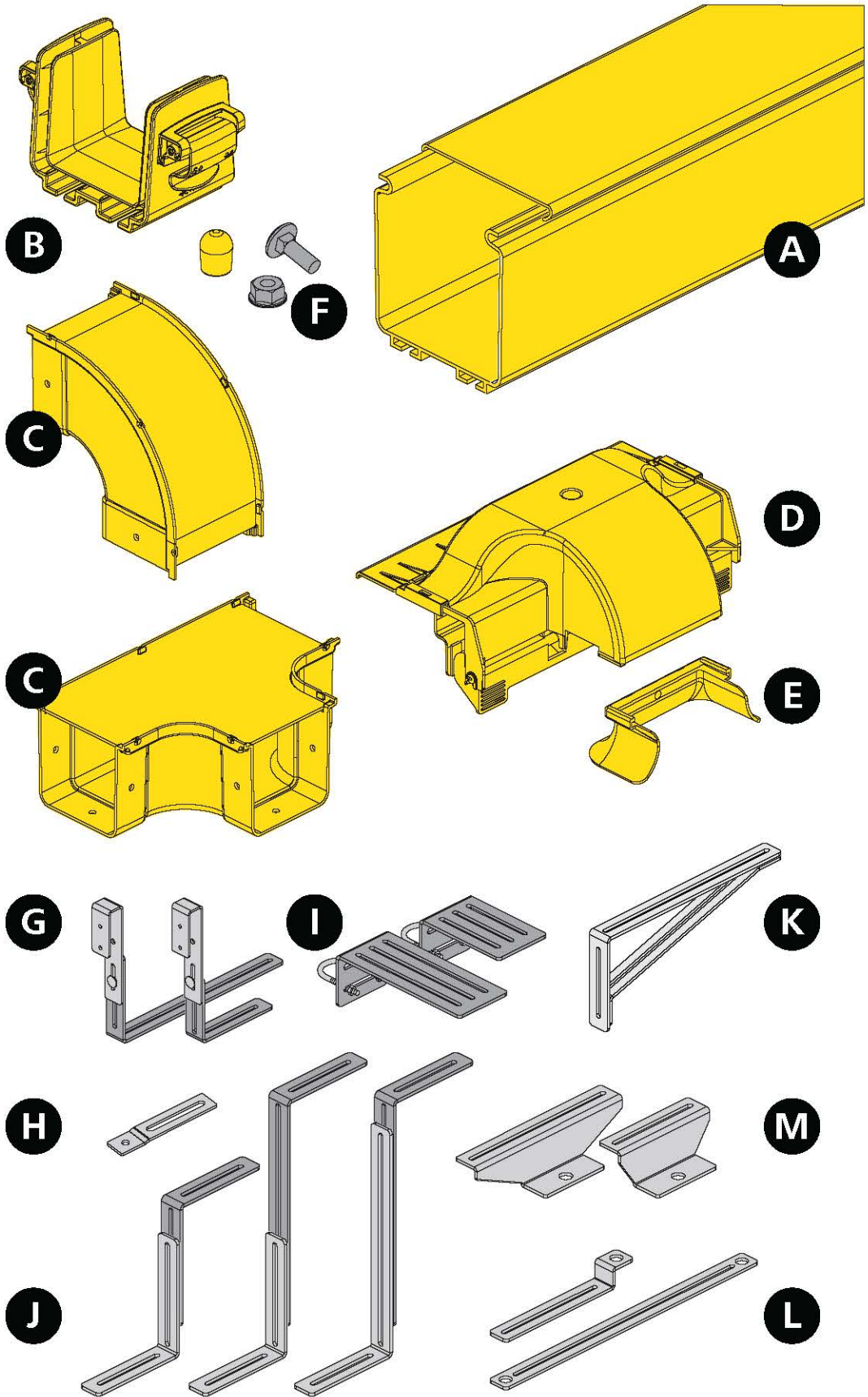


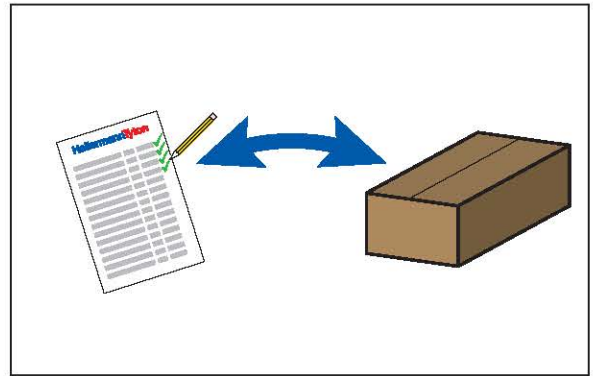
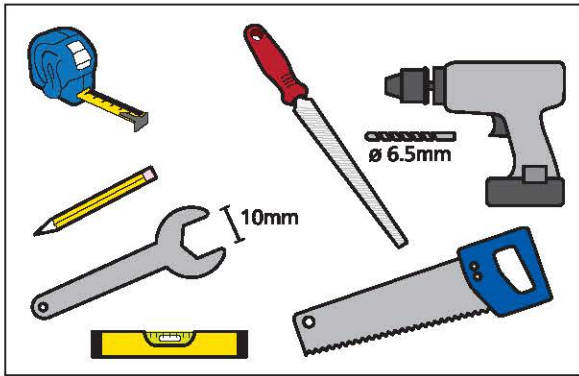


GigaDuct



# A

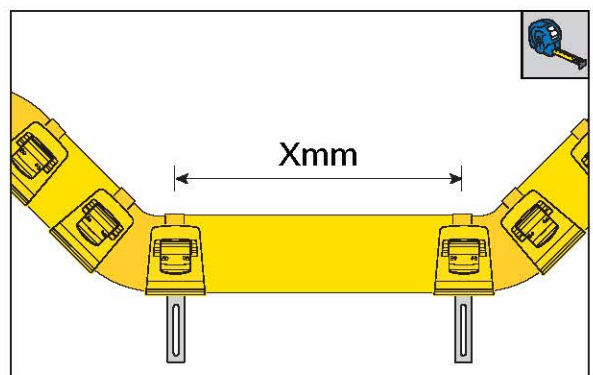
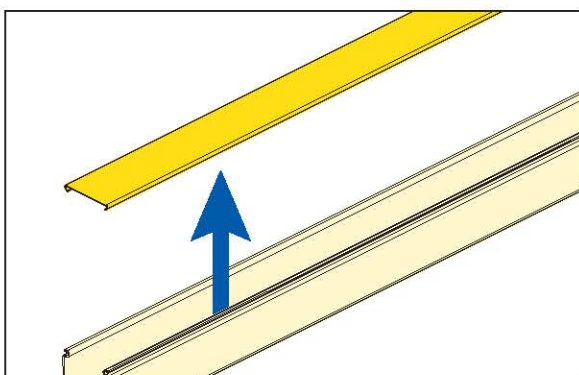
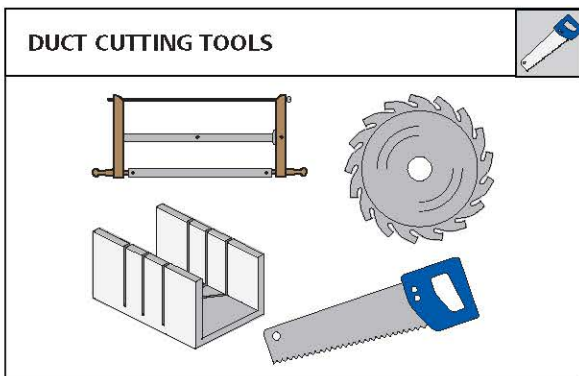
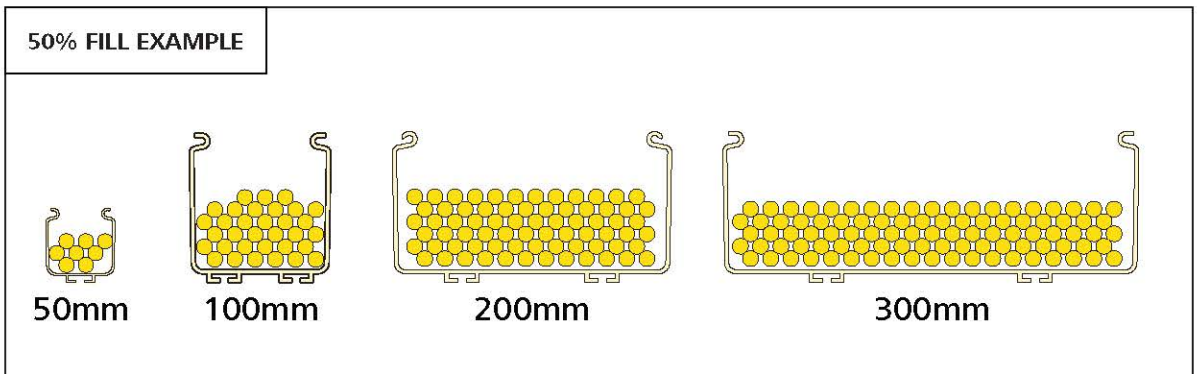
## PREPARATION



### DUCT CAPACITY

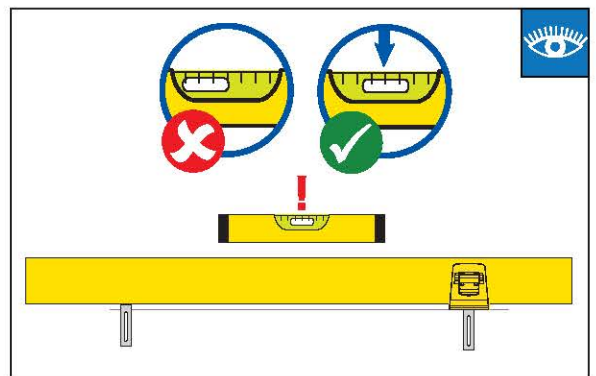
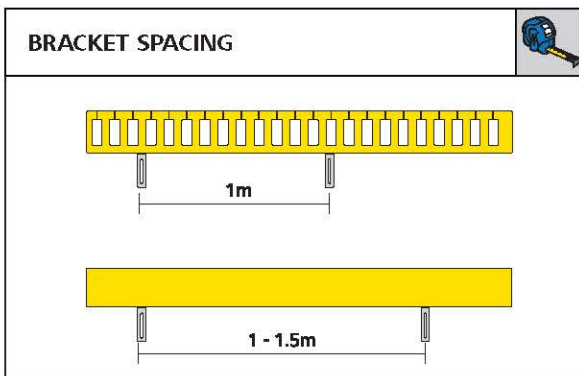
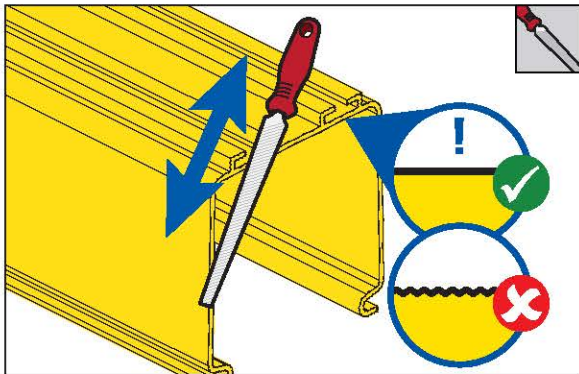
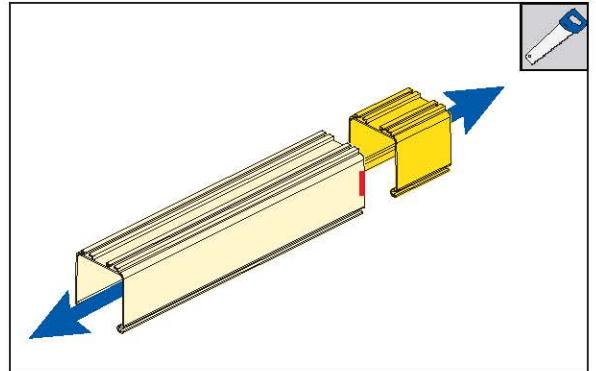
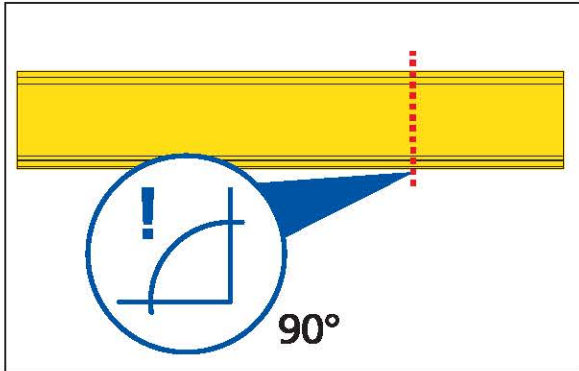
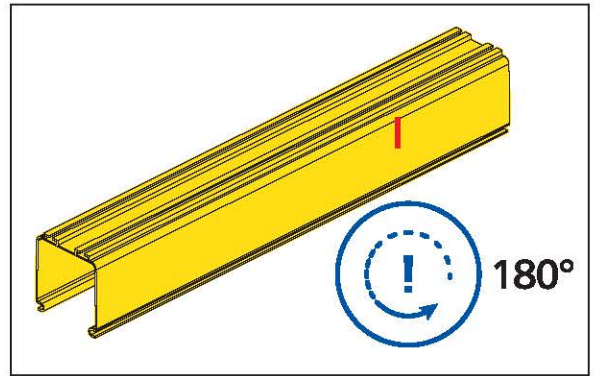
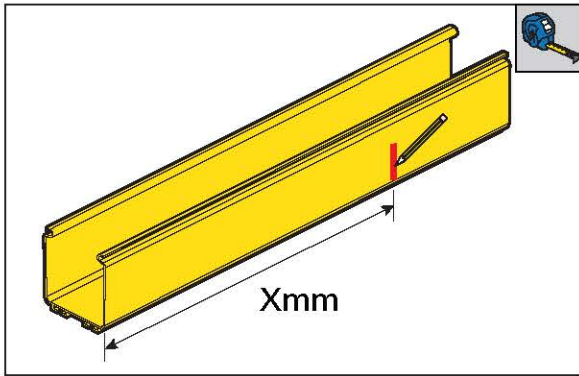
The capacity table shows the recommended number of cables to avoid crushing, maintain bend radius and ensure smooth maintenance. This represents the 50% calculated fill.

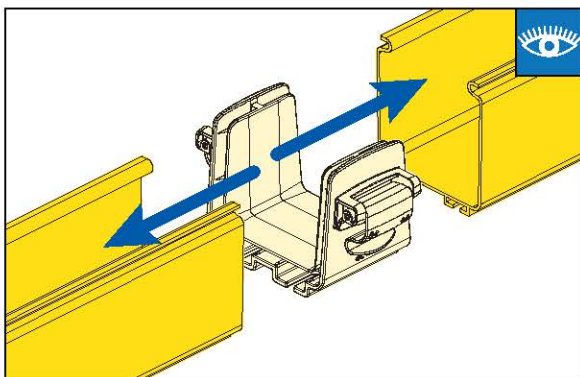
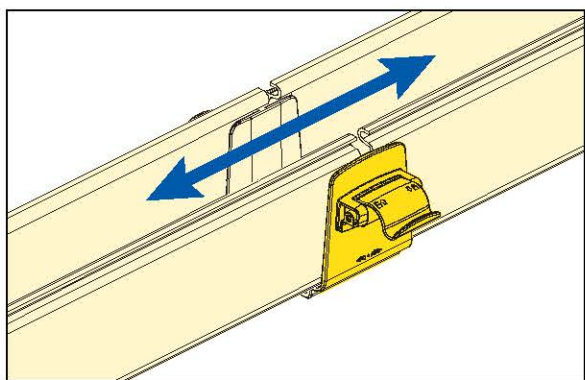
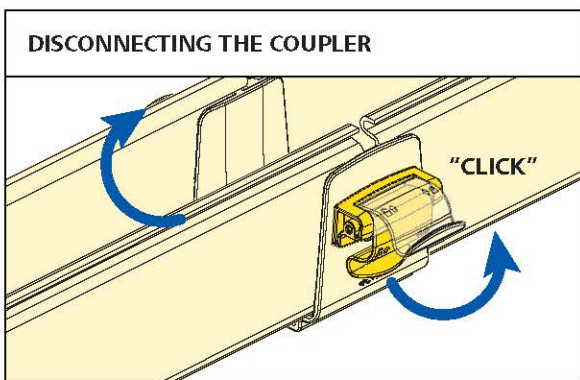
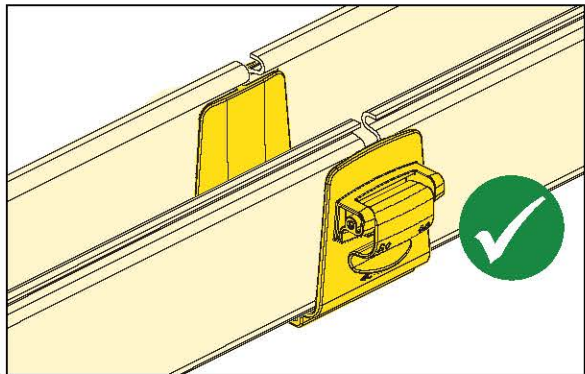
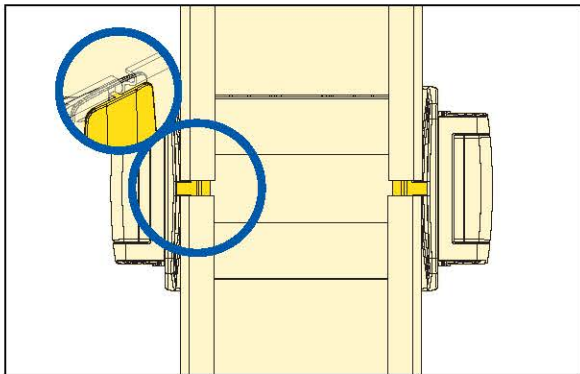
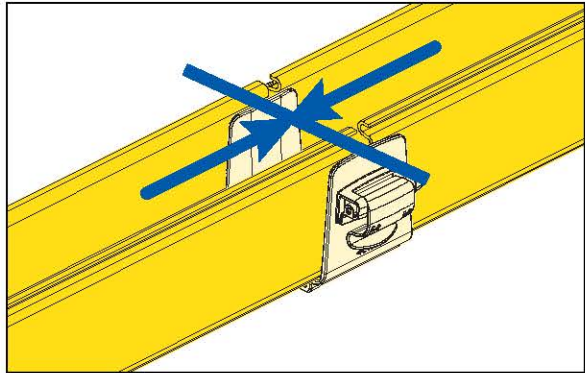
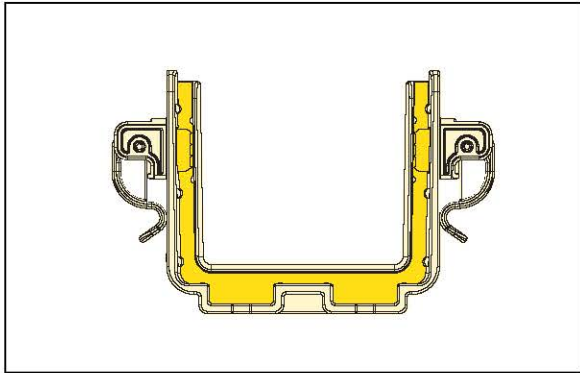
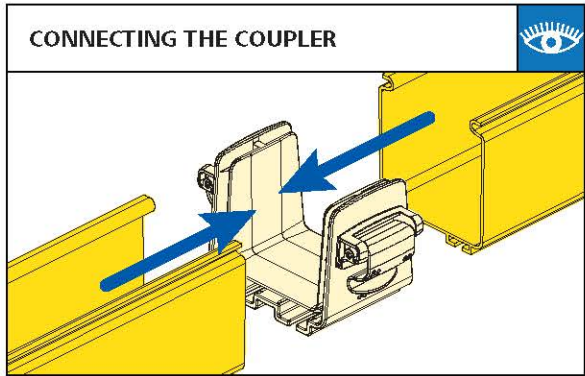
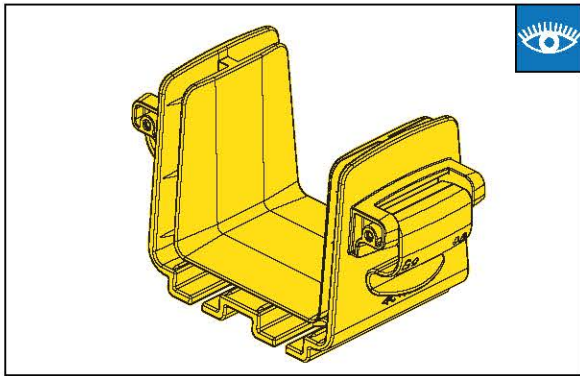
Cable size (mm)	DUCT SIZE (MM)			
	50 X 50	100 X 100	200 X 100	300 X 100
1.6	584	2296	4507	6685
2	374	1469	2884	4278
3	166	653	1282	1901
9.4	16	66	130	193
13.2	8	33	66	98
CAPACITY (no. of cables at 50% fill)				

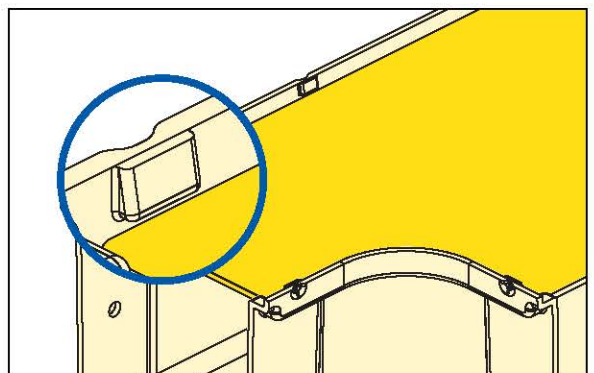
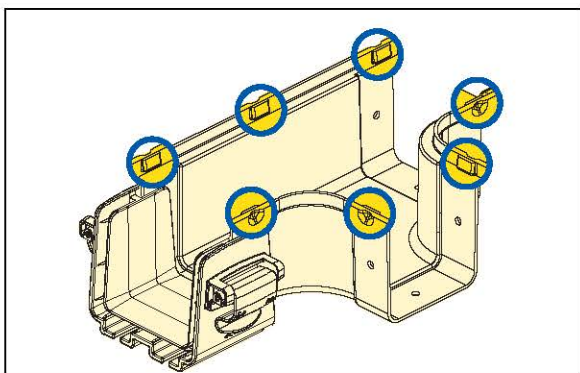
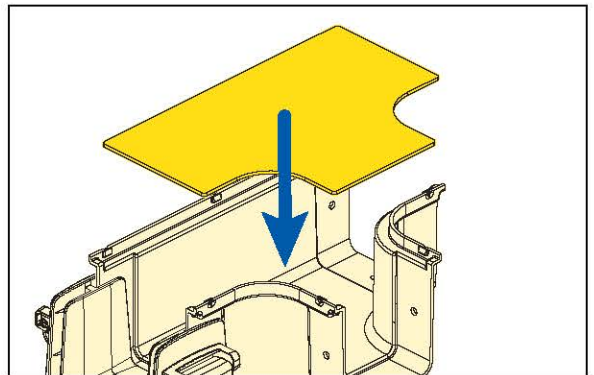
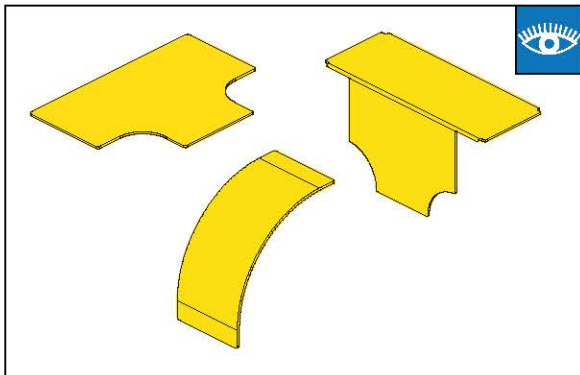
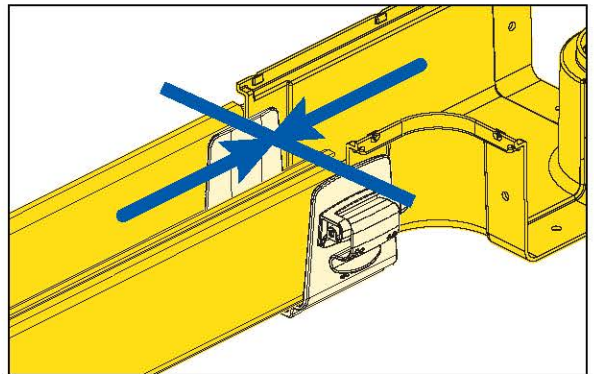
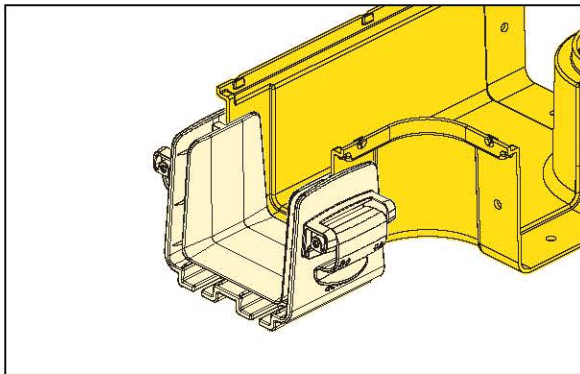
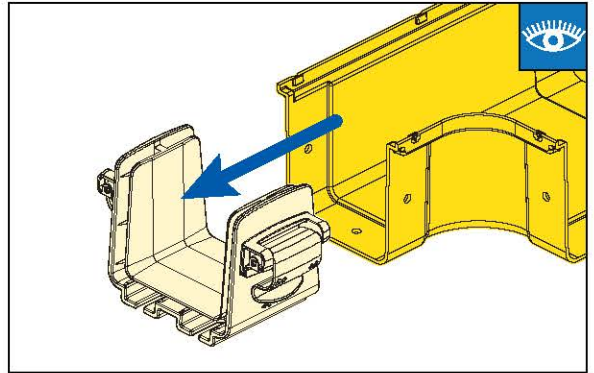
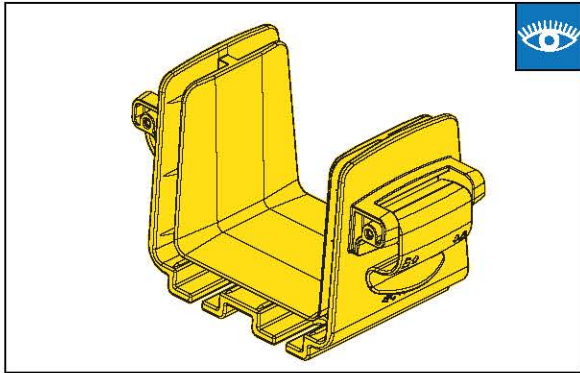
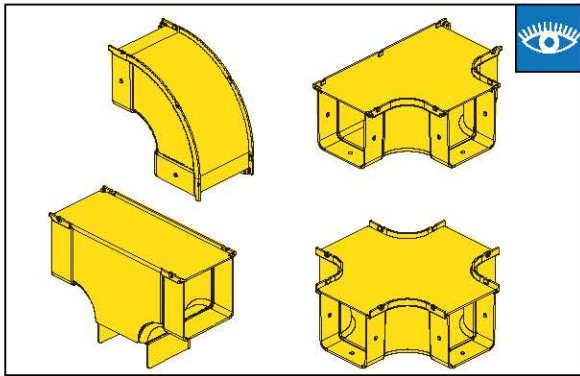


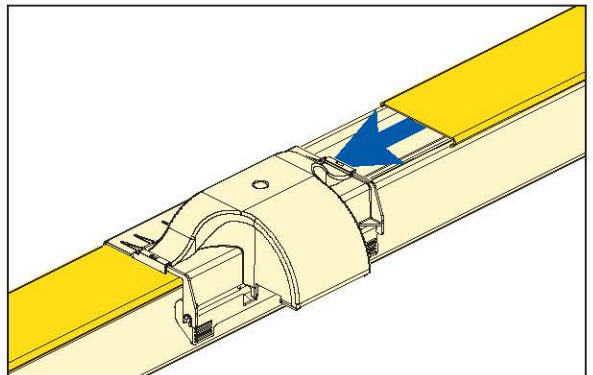
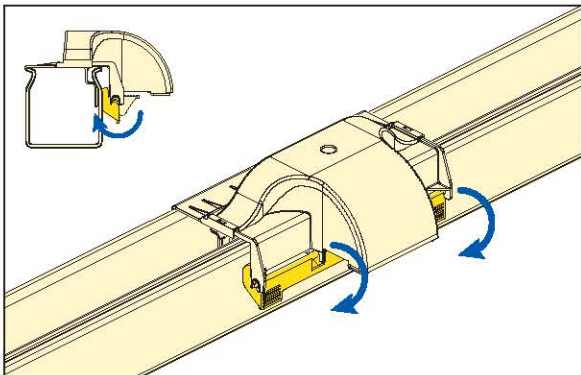
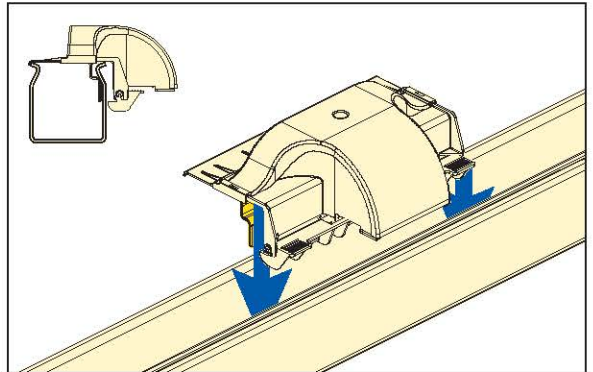
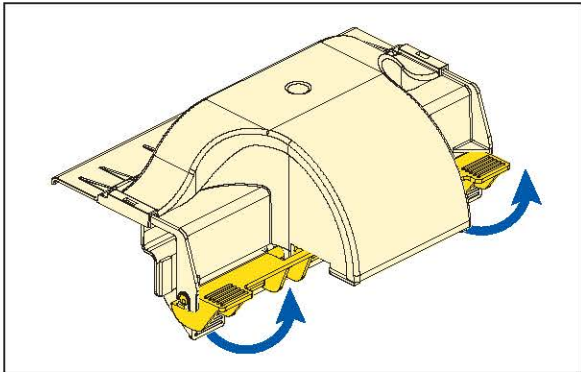
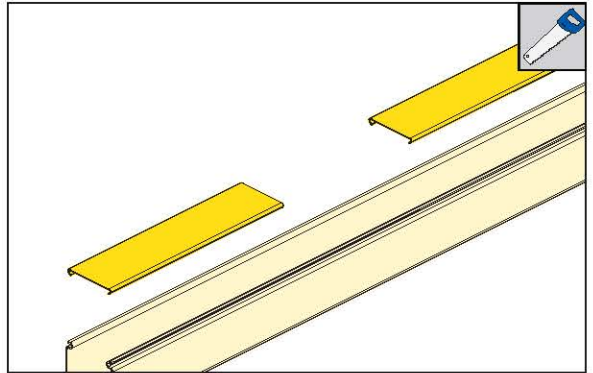
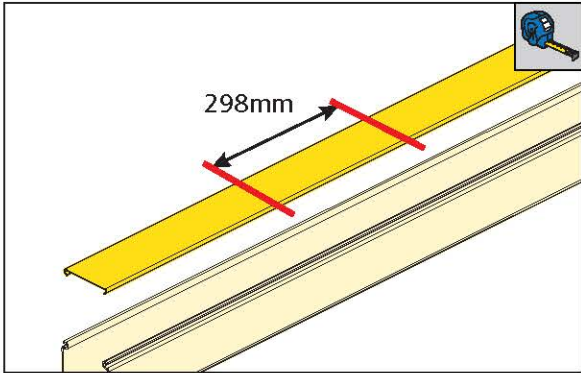
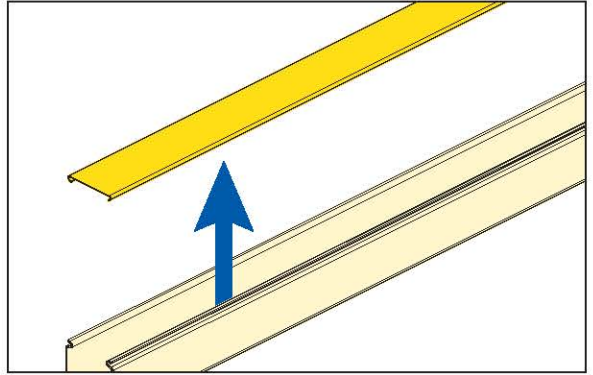
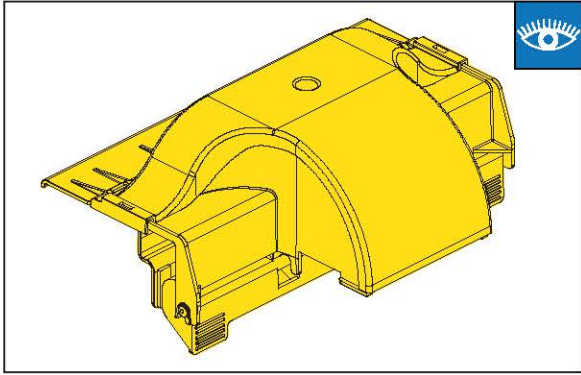
# A

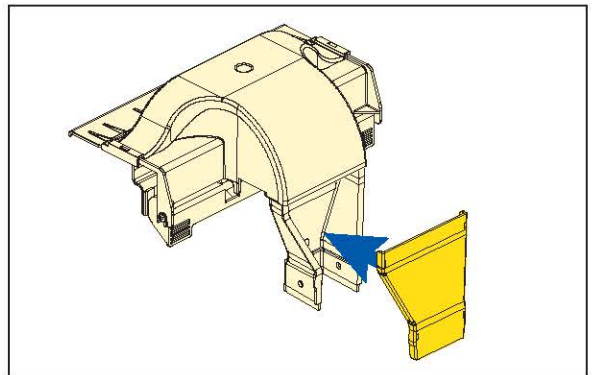
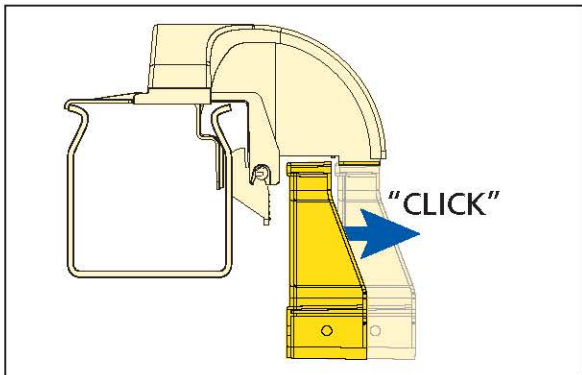
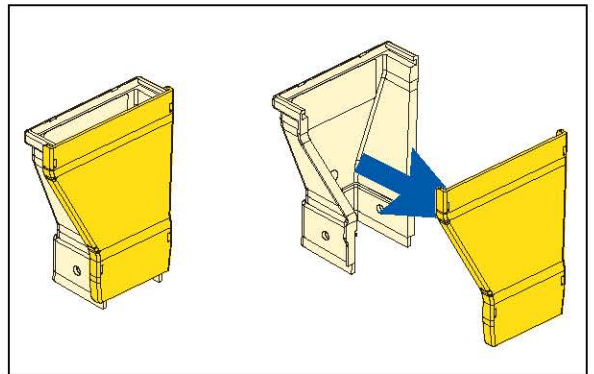
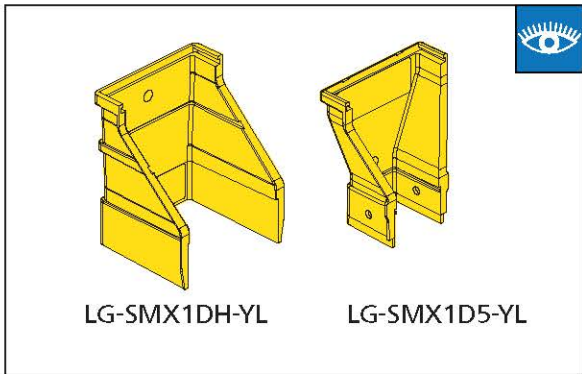
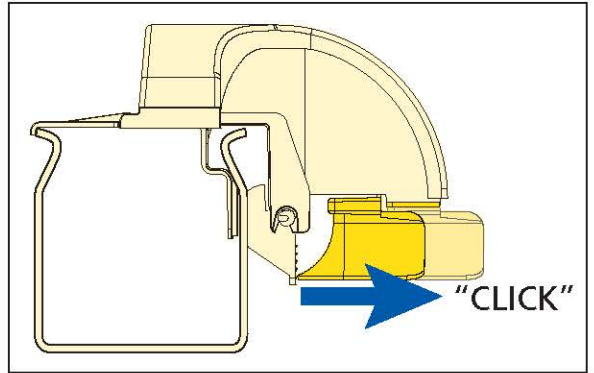
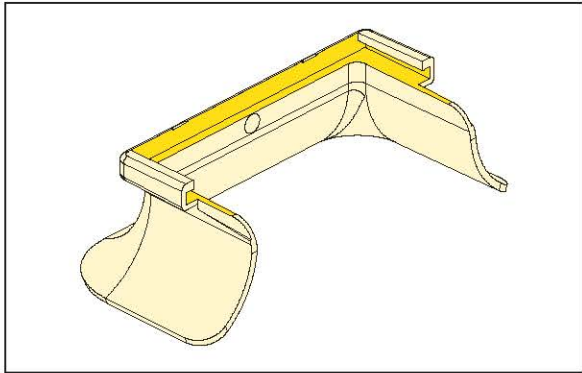
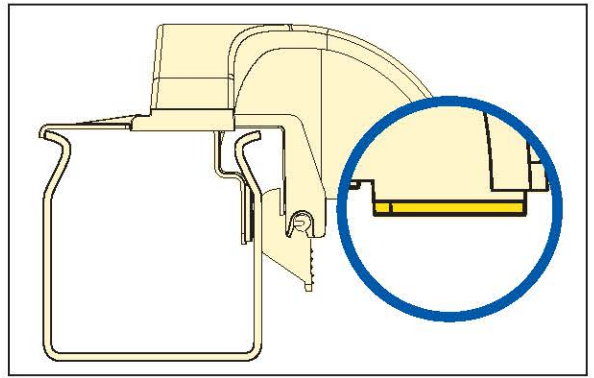
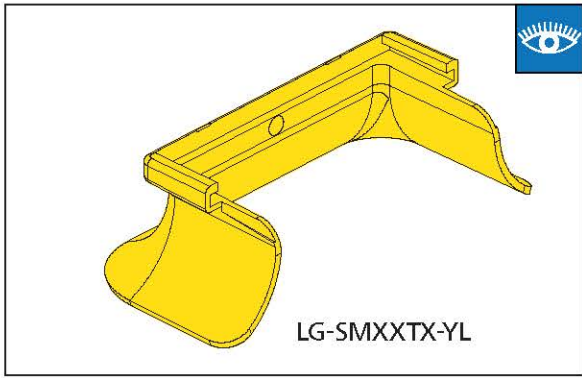
## PREPARATION

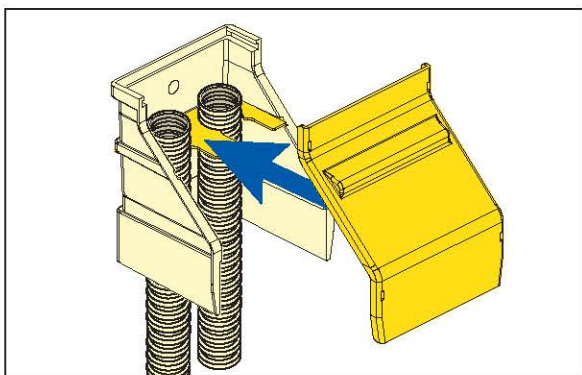
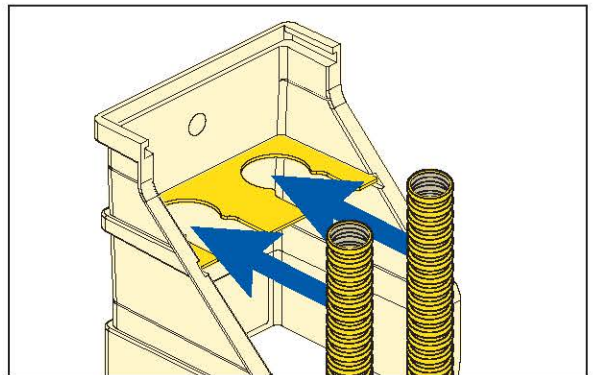
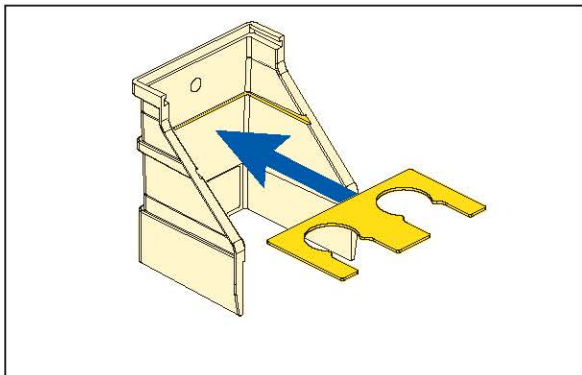
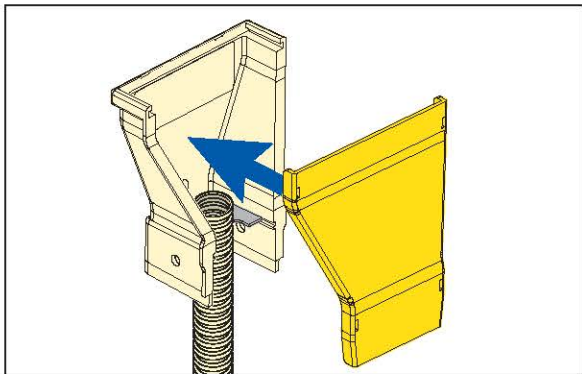
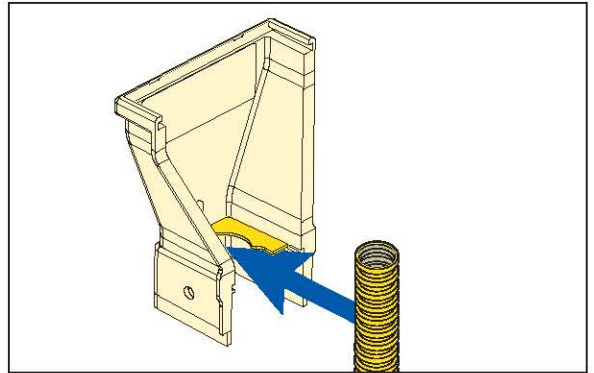
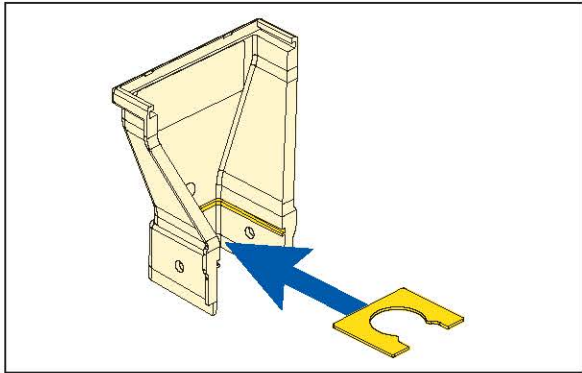
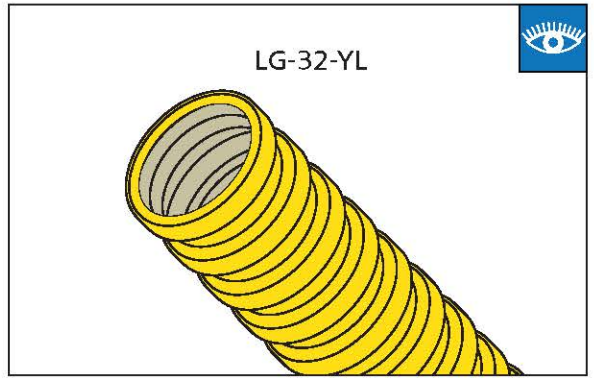
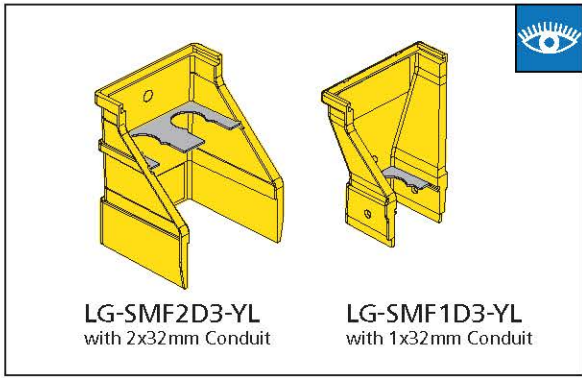






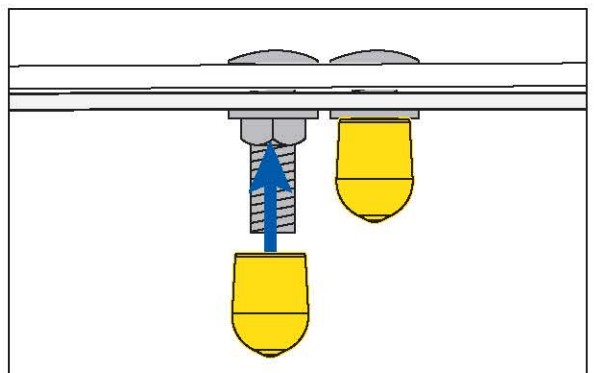
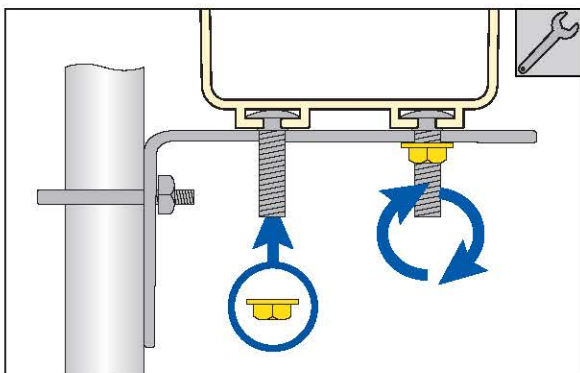
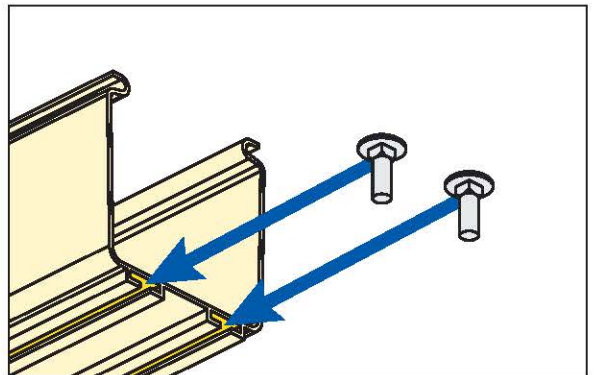
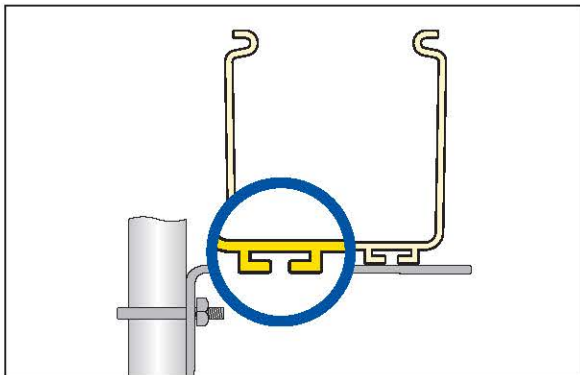
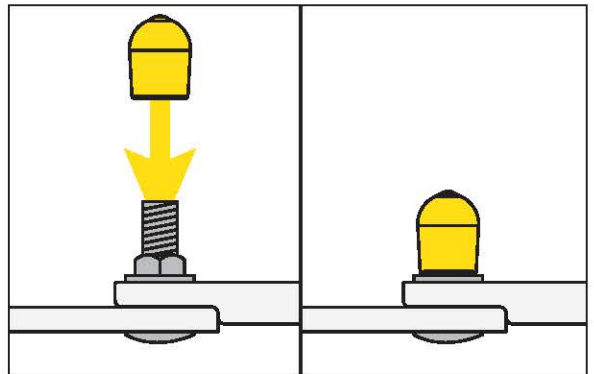
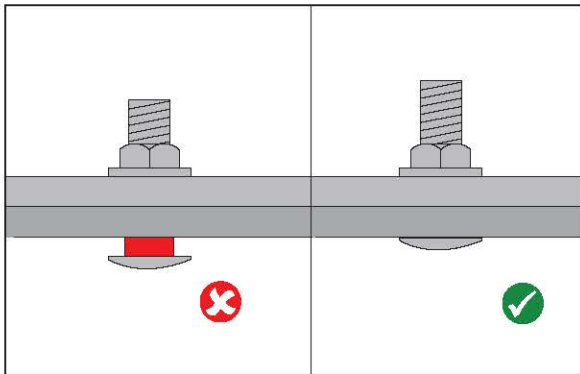
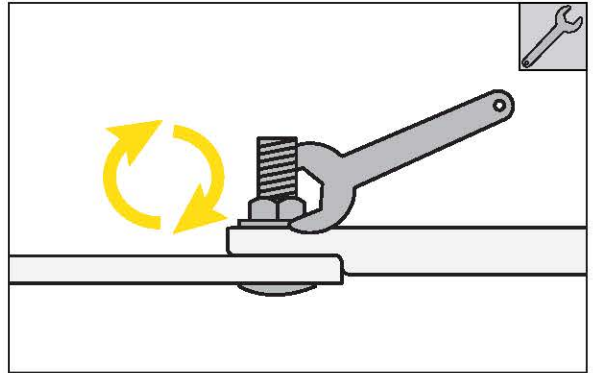
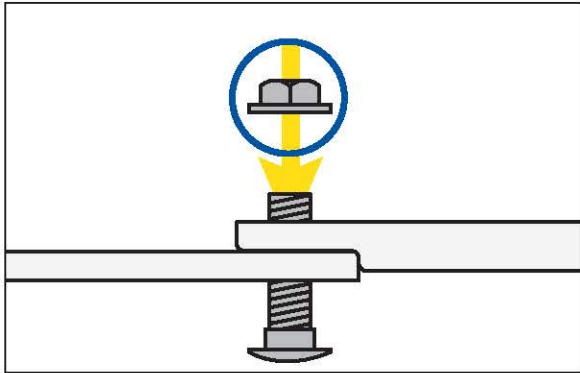
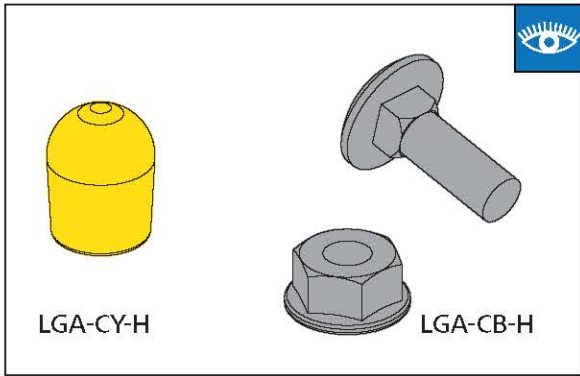
**D****EXPRESS WATERFALL OUTLET**

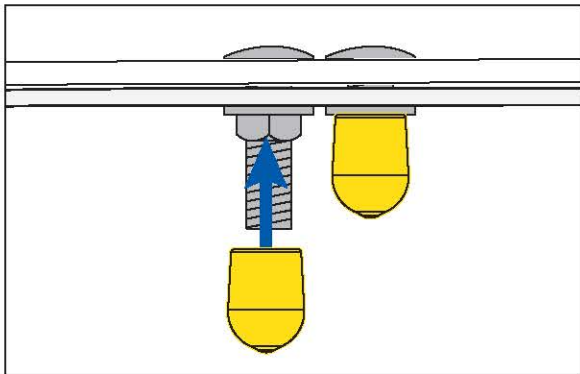
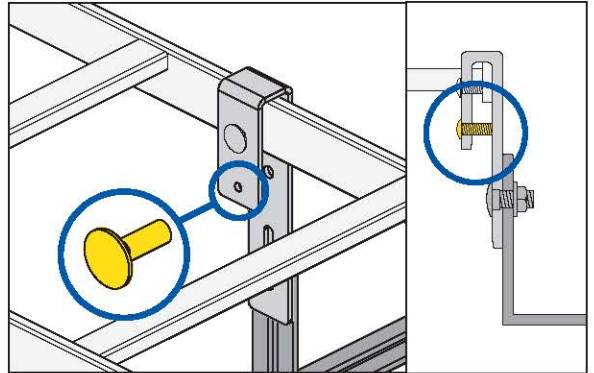
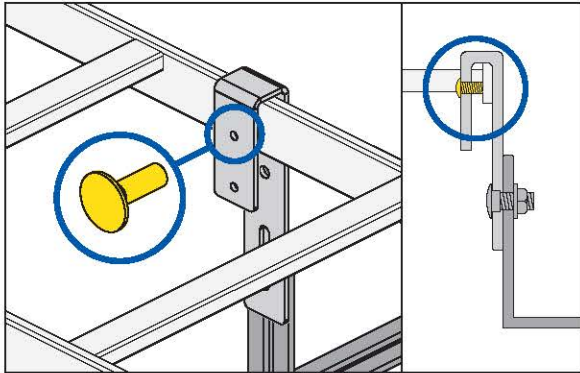
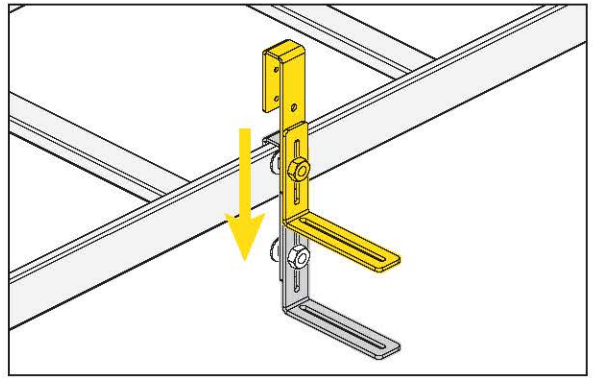
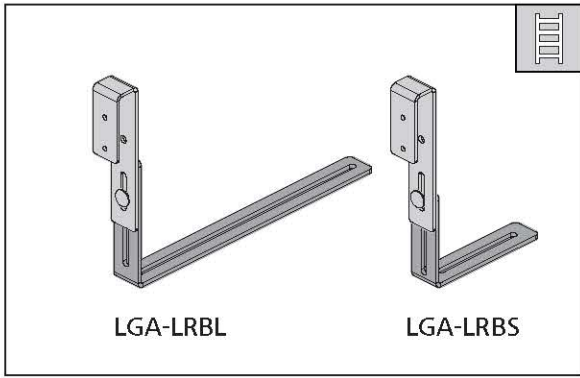


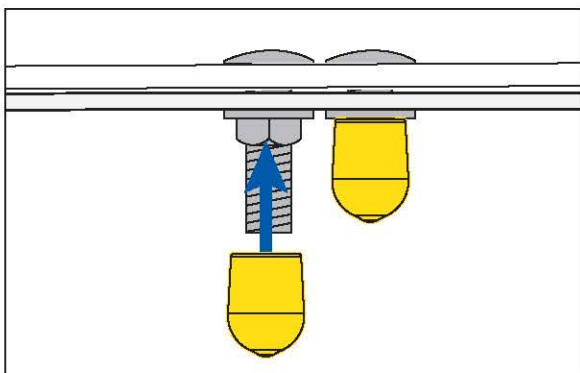
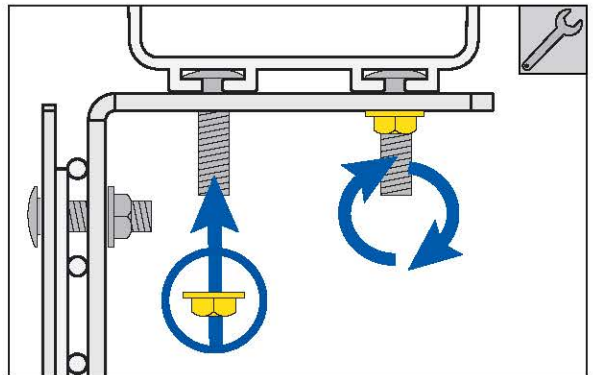
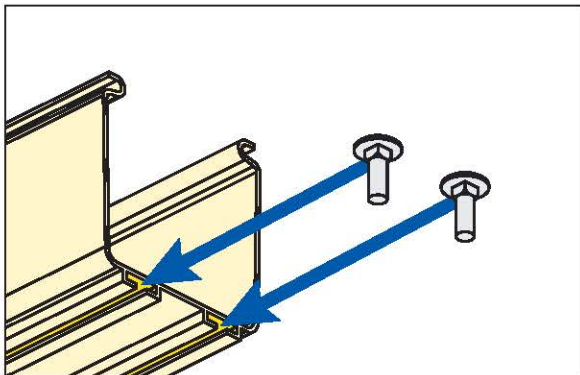
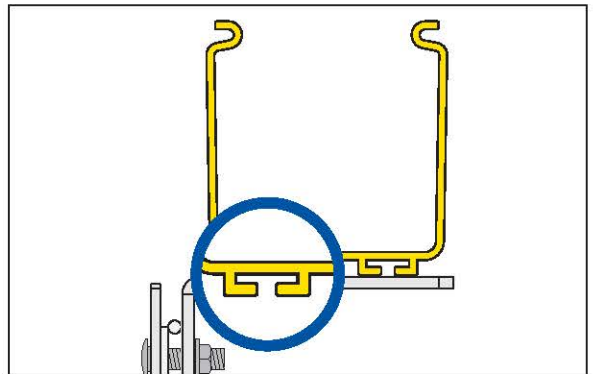
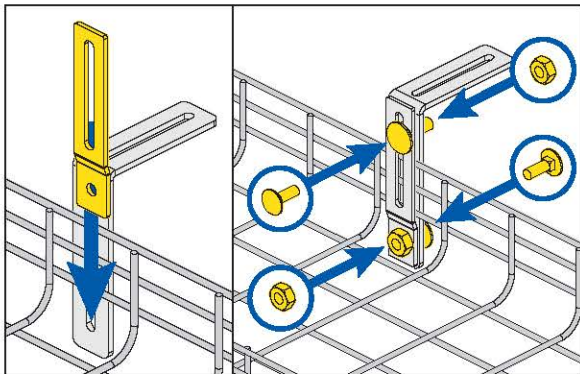
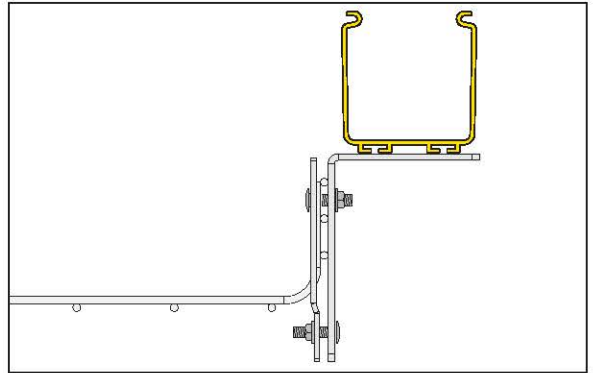
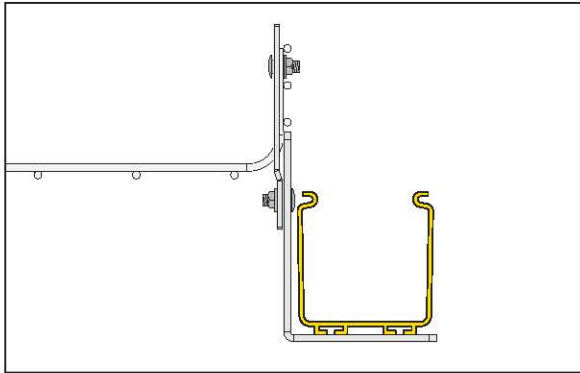
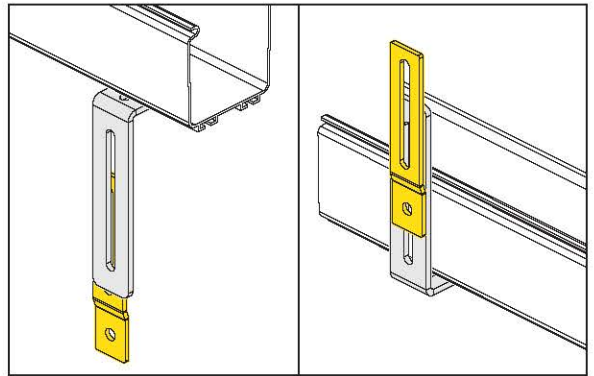
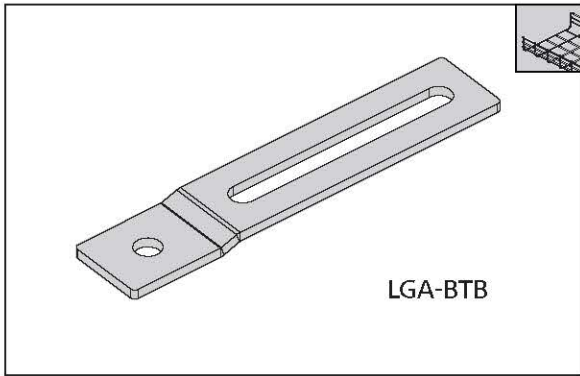


F

M6 COACH BOLT AND NUT

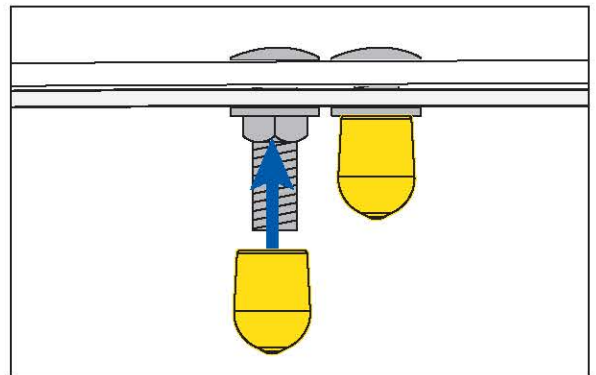
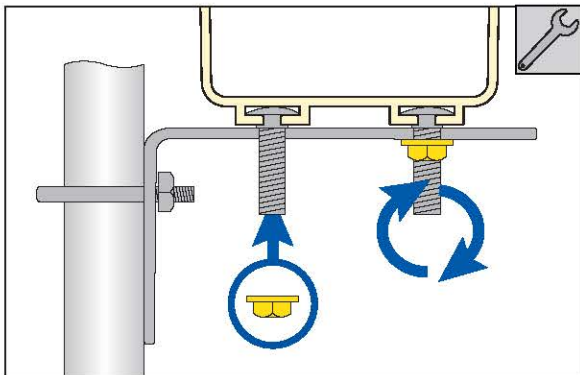
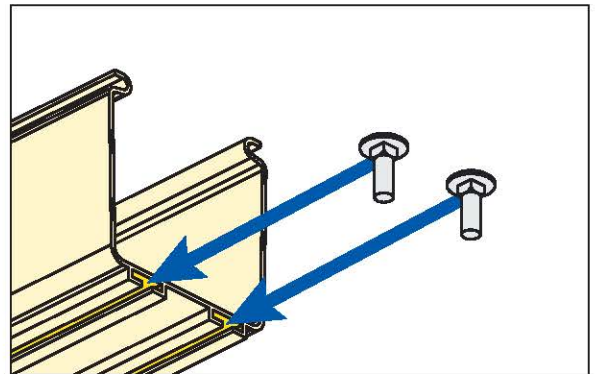
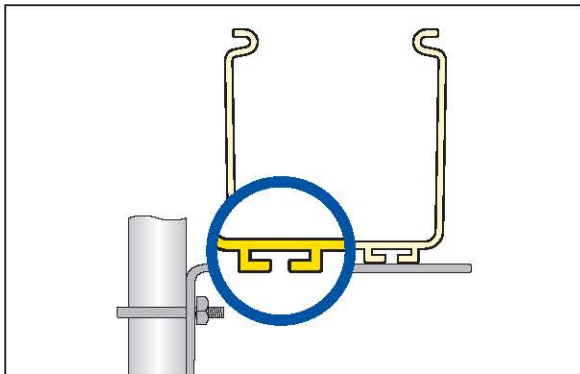
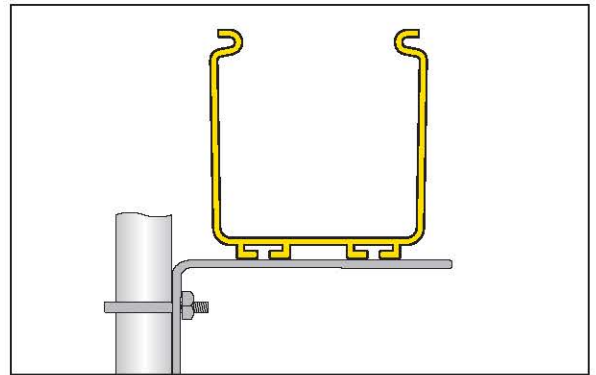
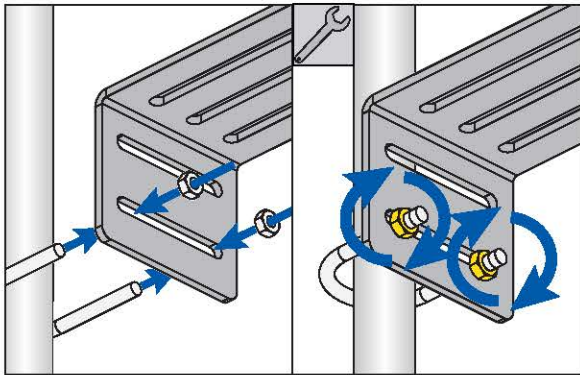
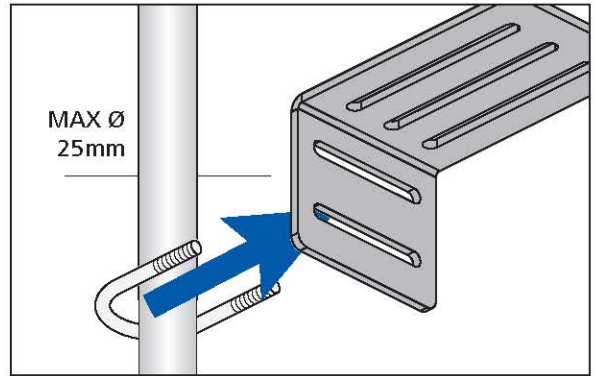
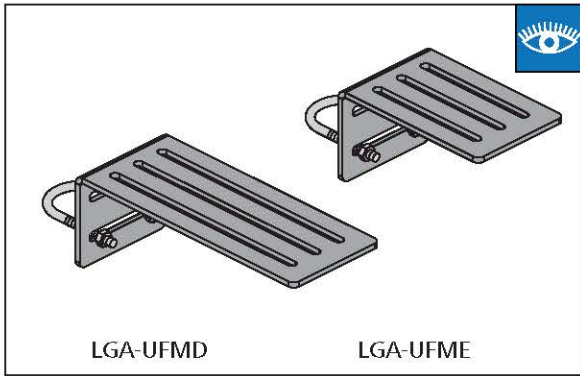








UNDERFLOOR MOUNTING KIT



# J

## UNIVERSAL BRACKETS

