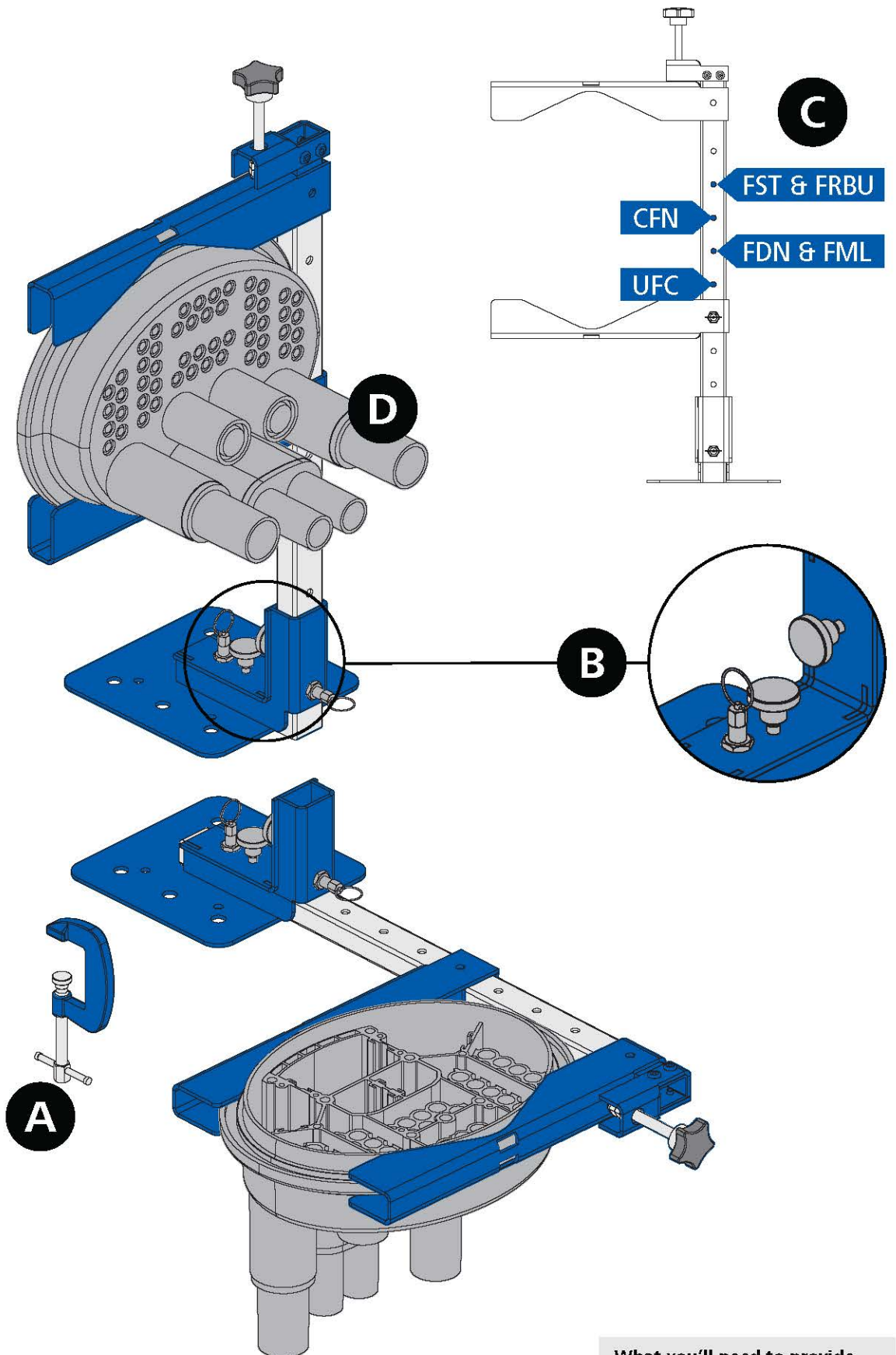




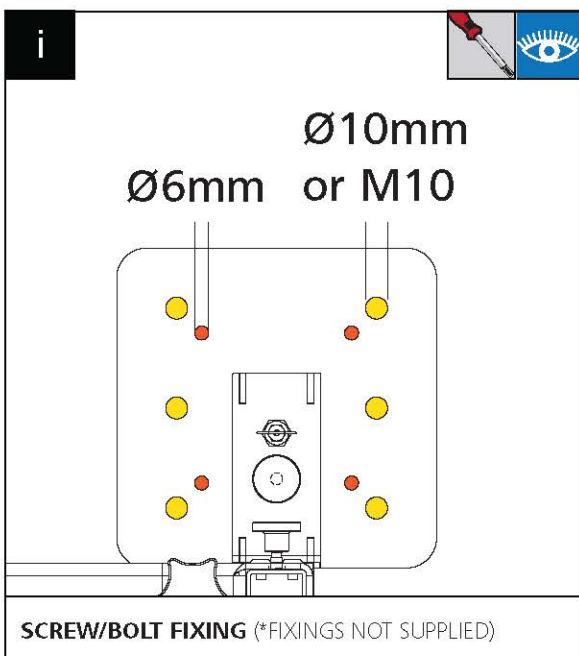
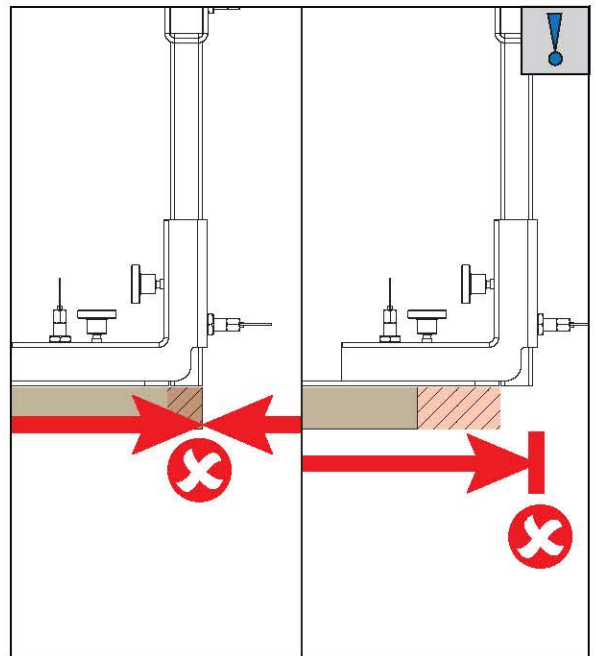
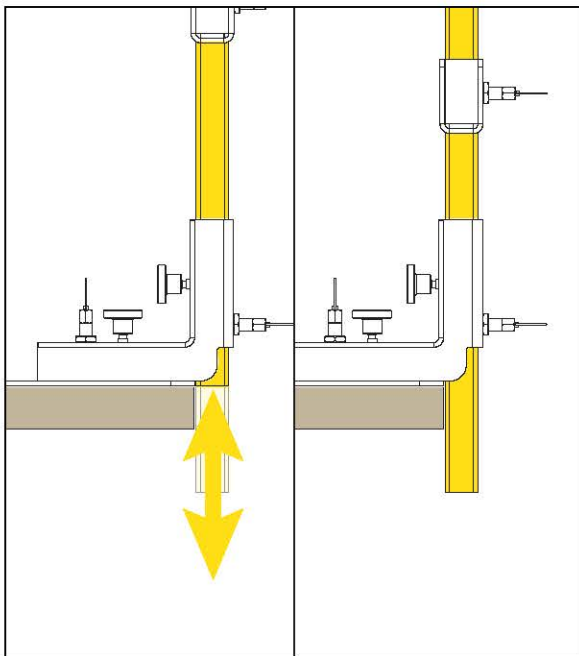
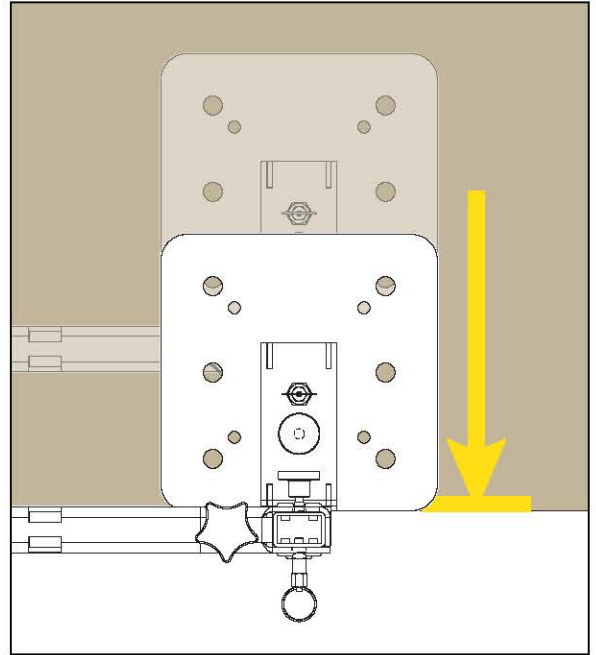
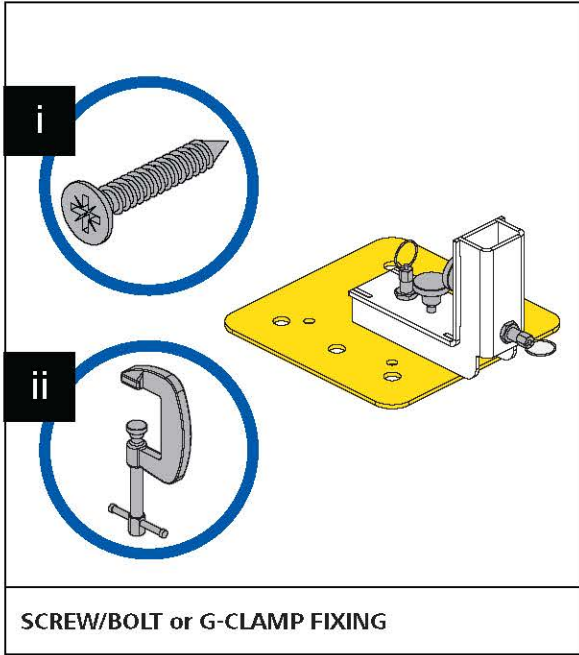
INSTALL JIG FOR DOME CLOSURES



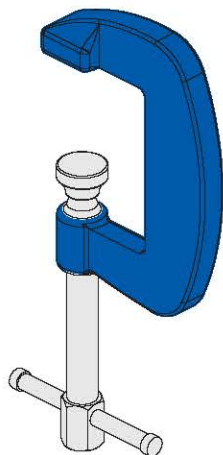
What you'll need to provide

Either:

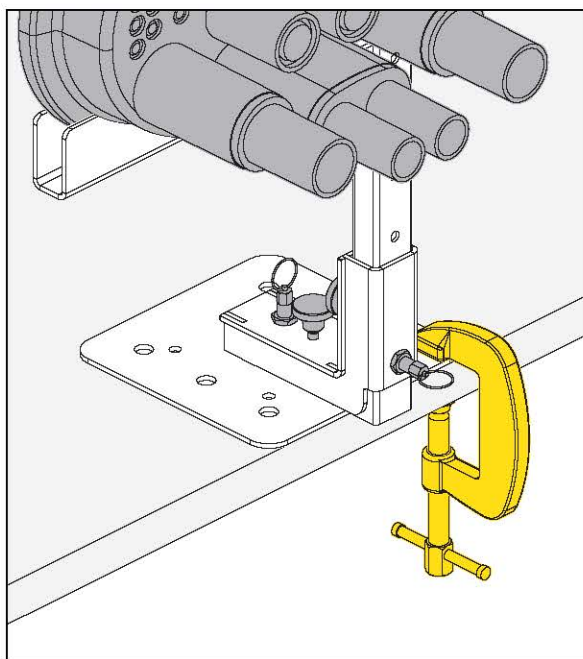
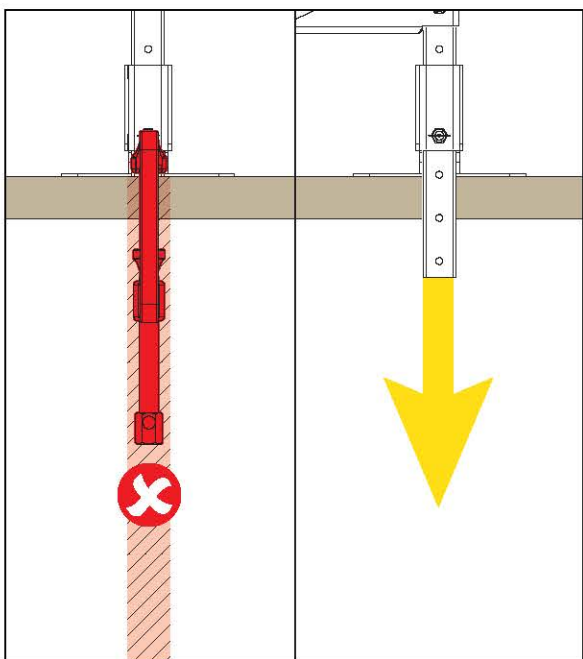
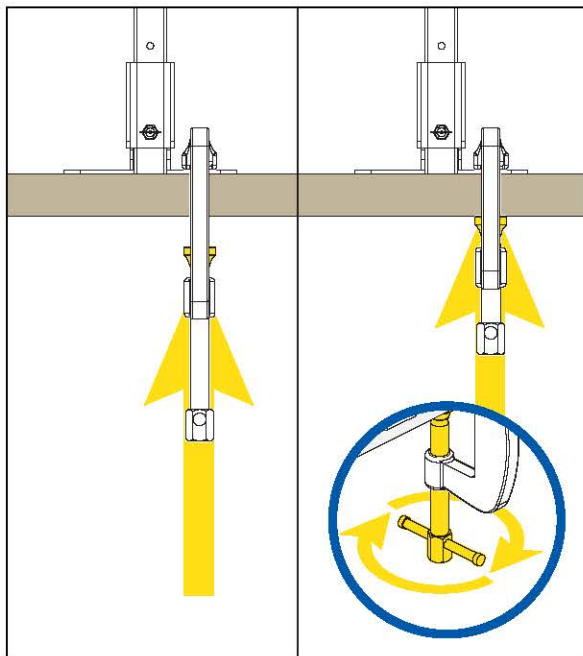
- Min. 4 x Ø10mm screw / M10 bolt or
- 4 x Ø6mm screws or
- G Clamp

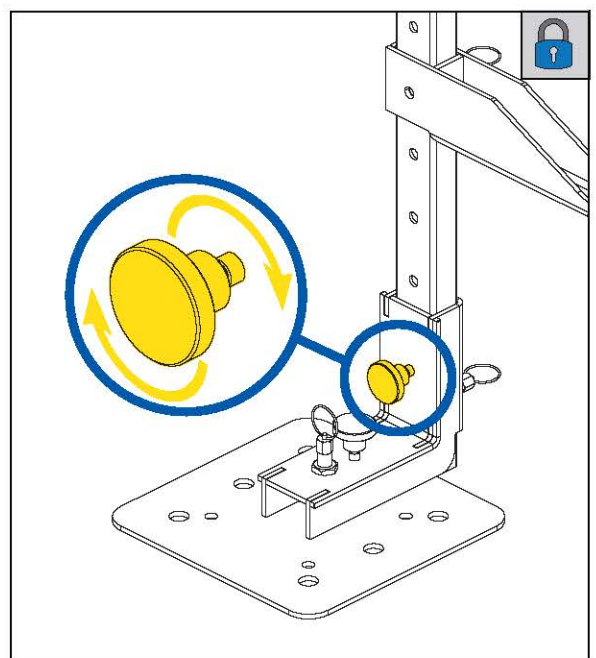
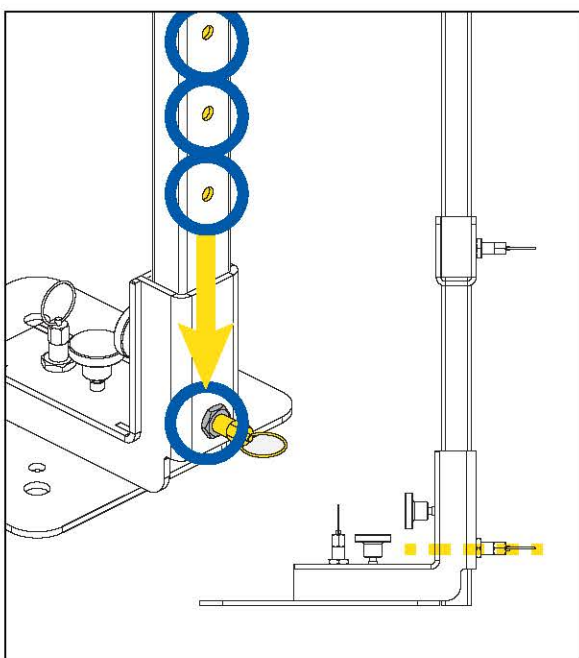
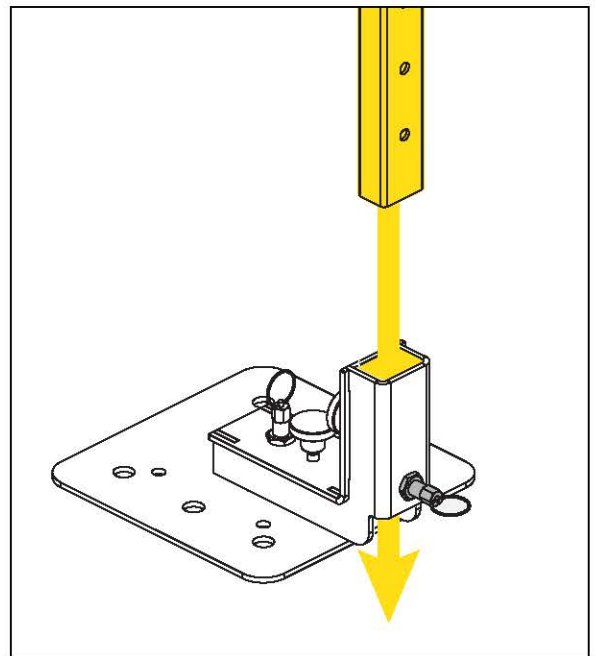
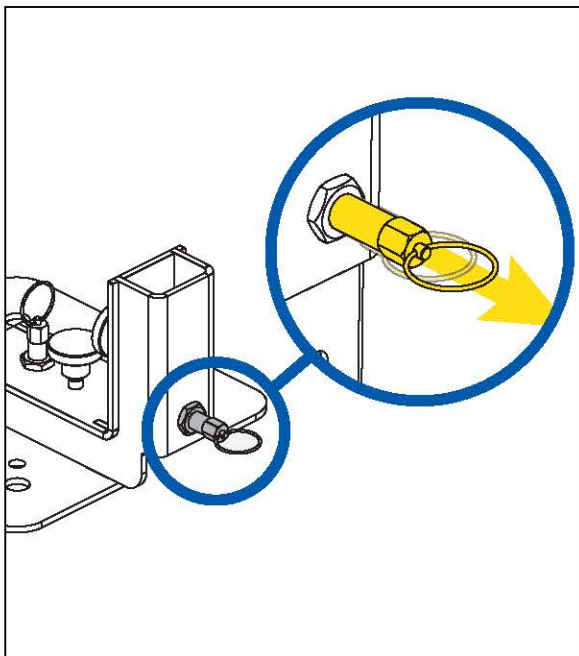
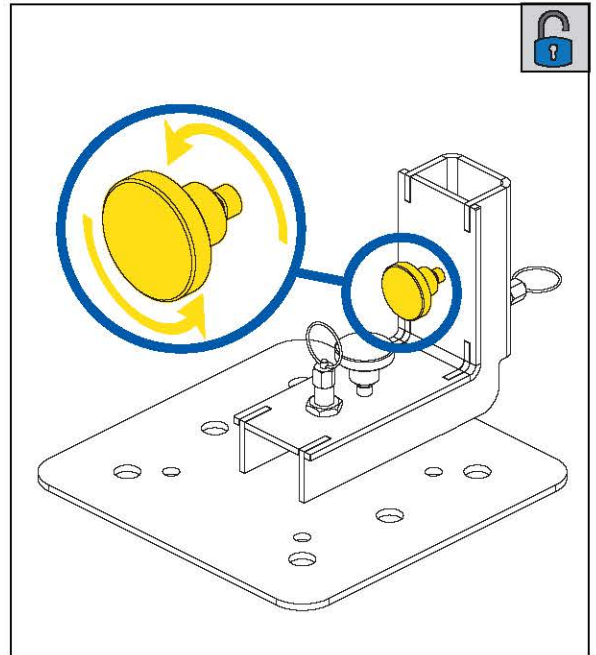
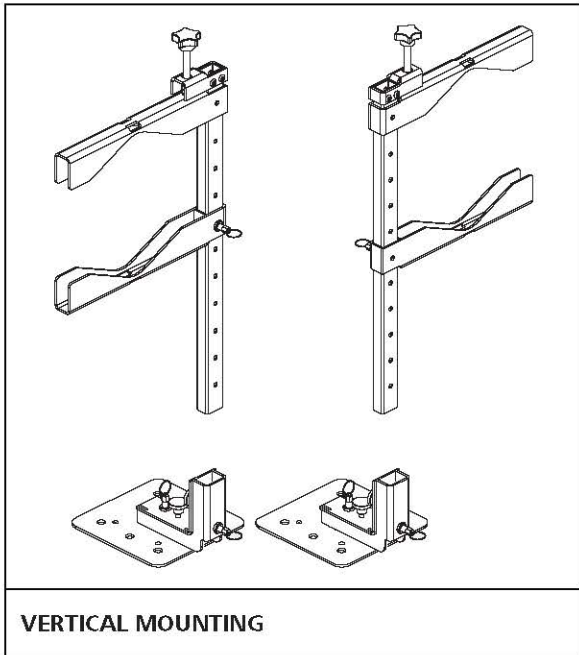


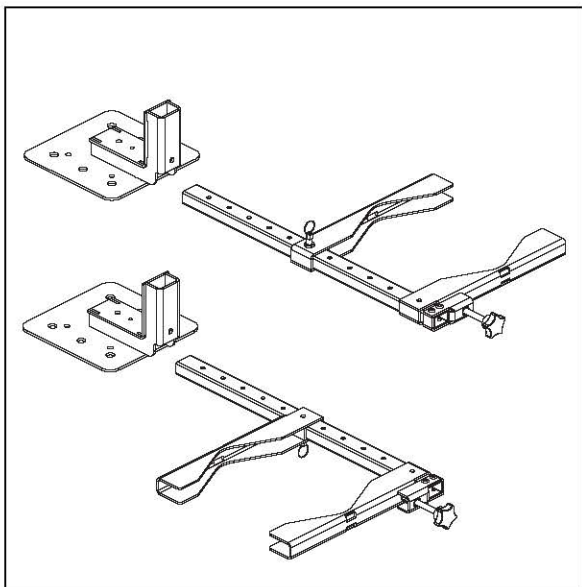
ii



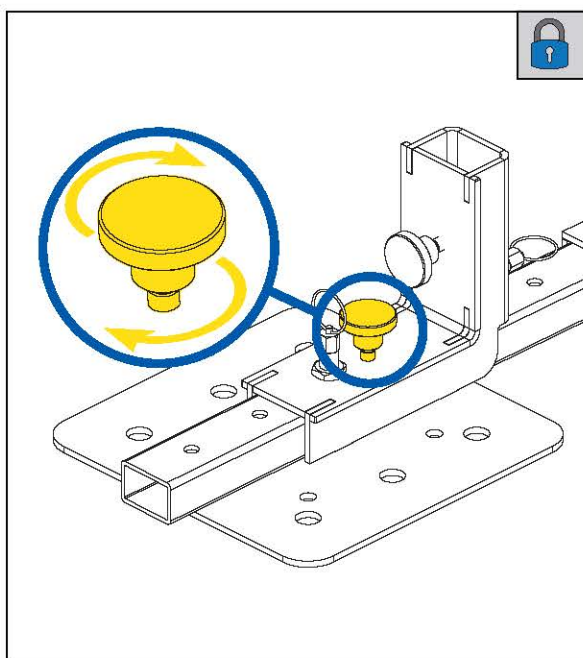
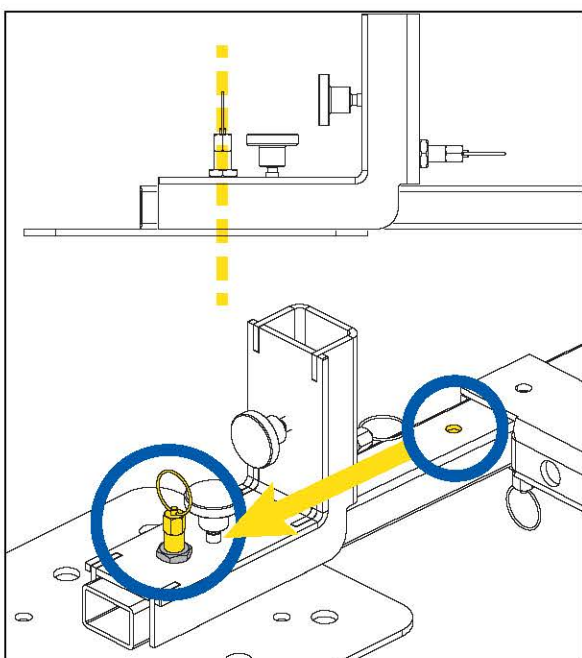
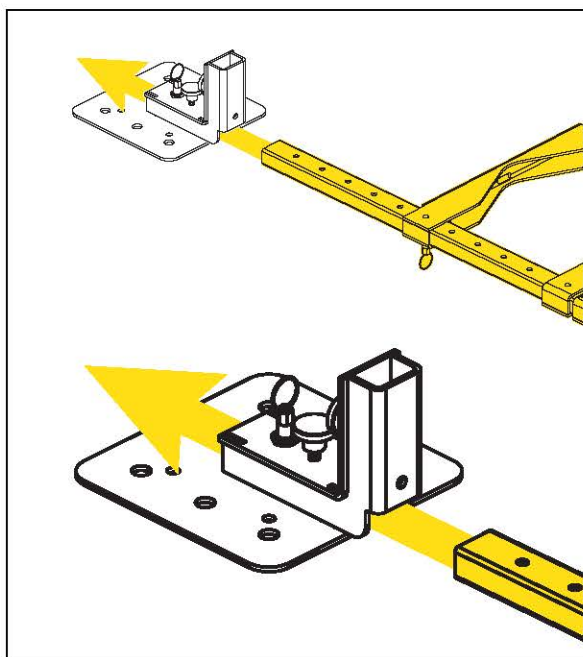
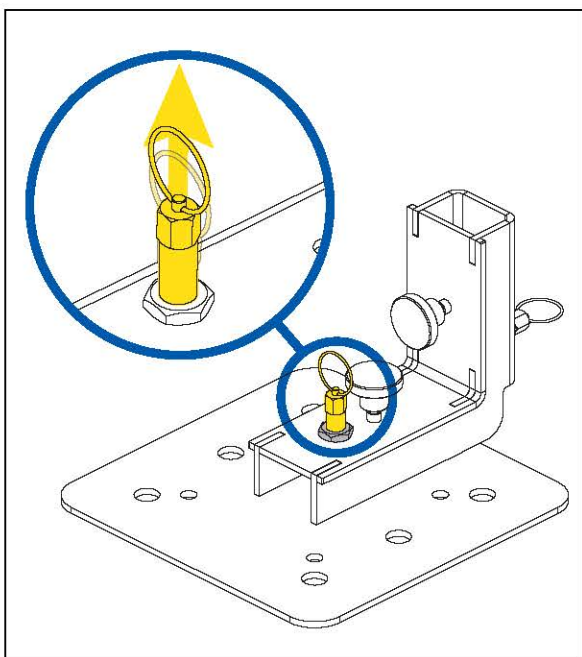
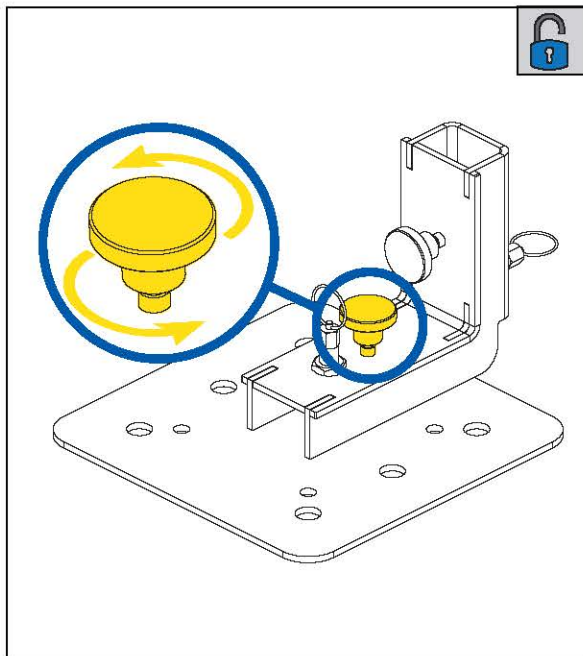
G-CLAMP FIXING

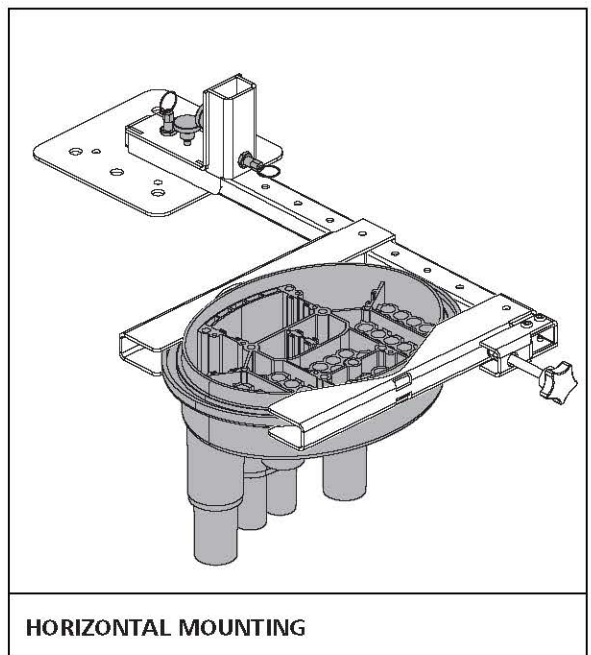
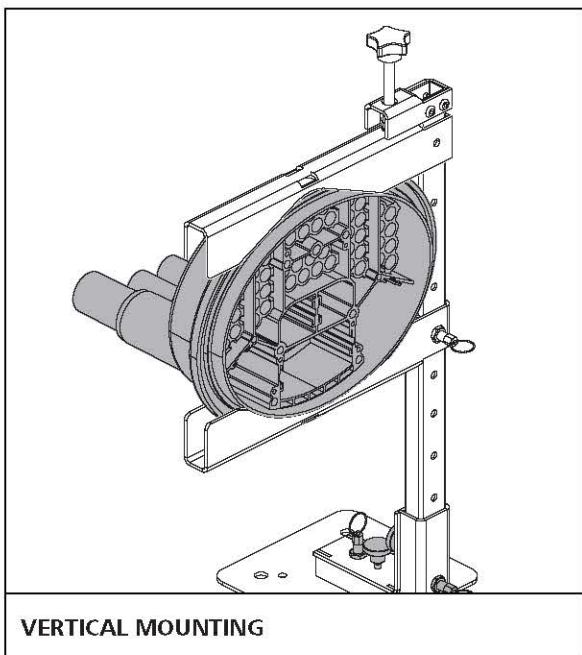
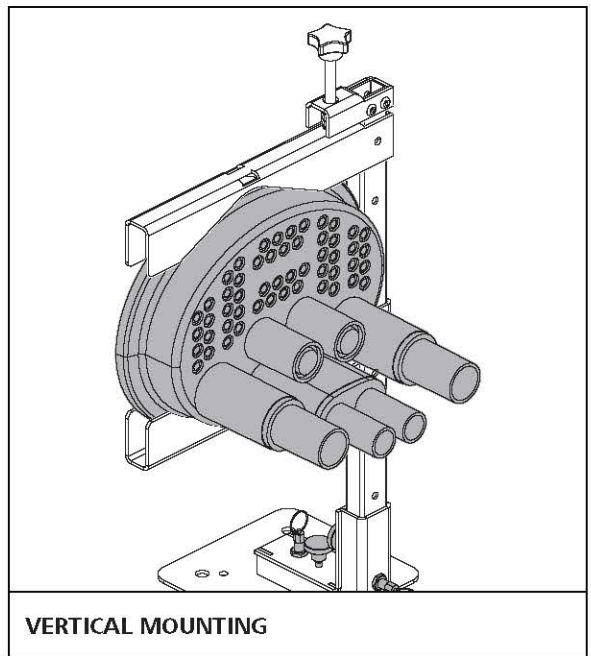
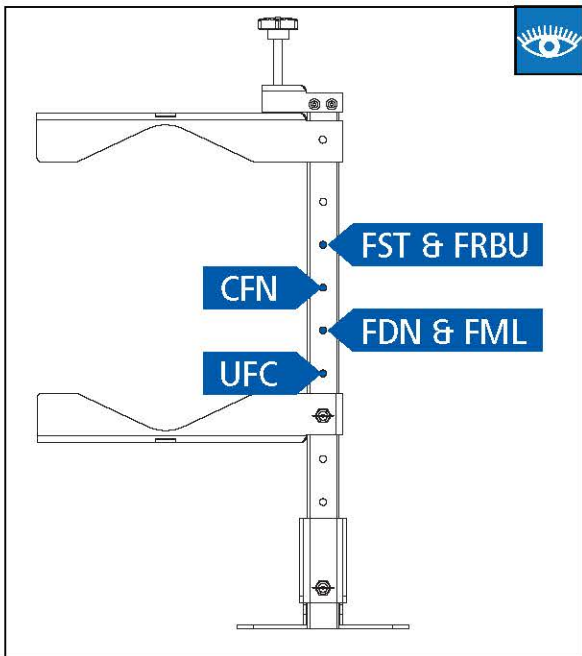
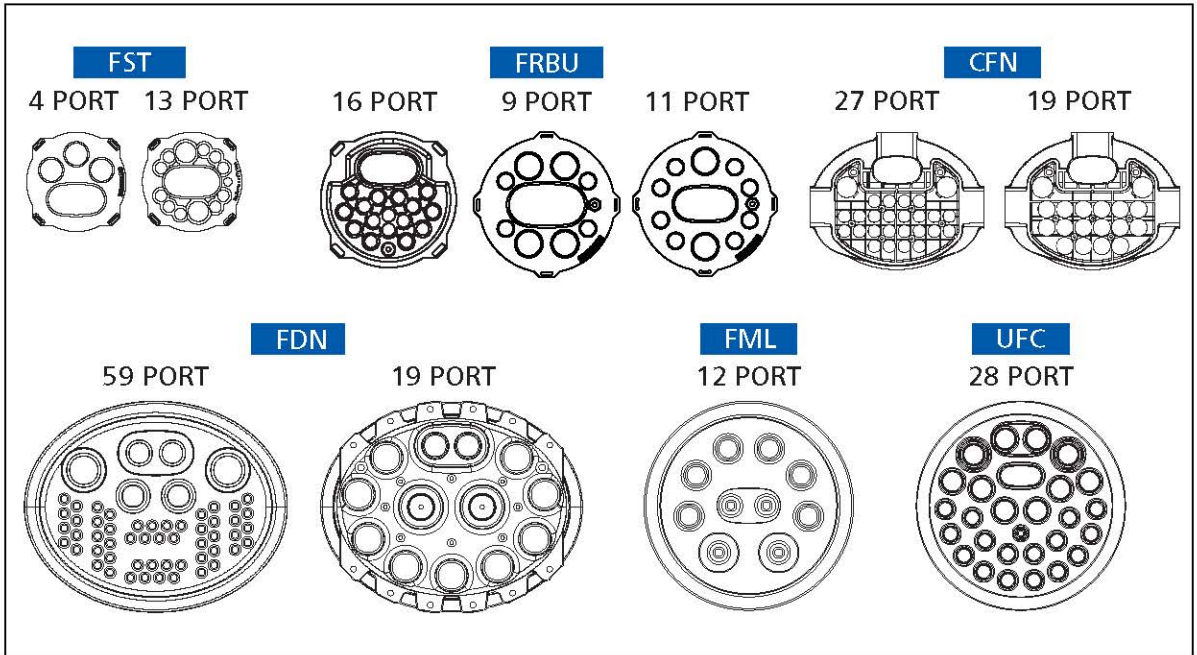


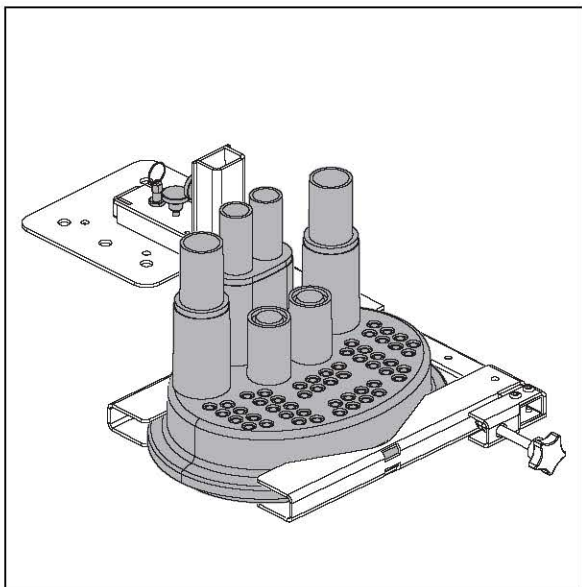




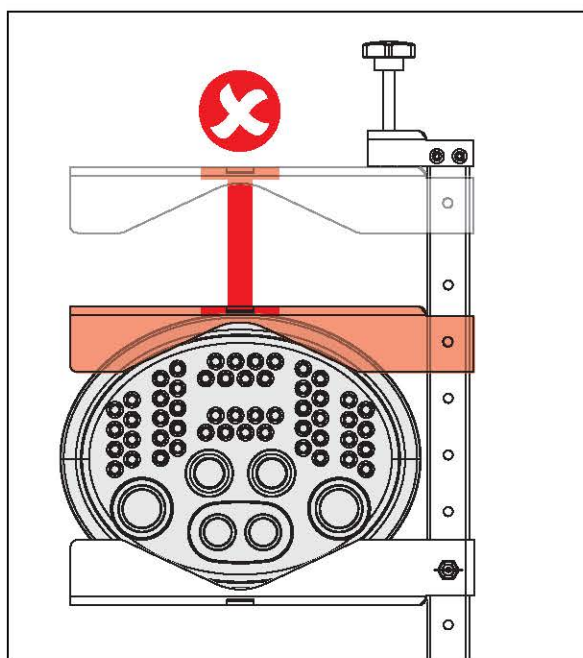
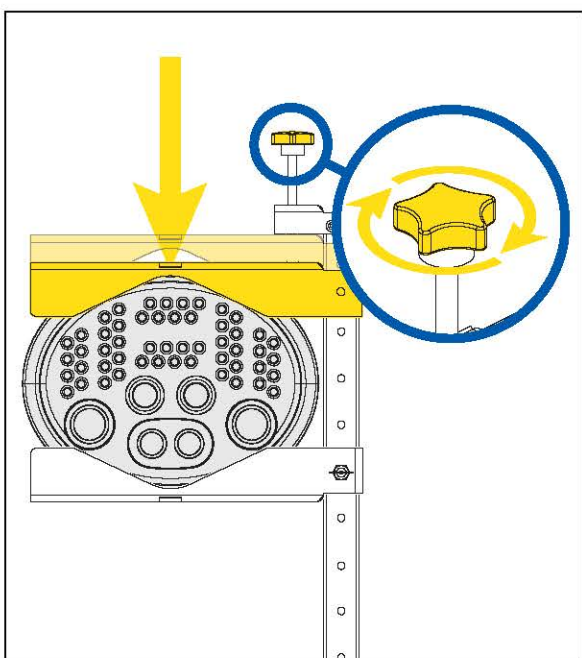
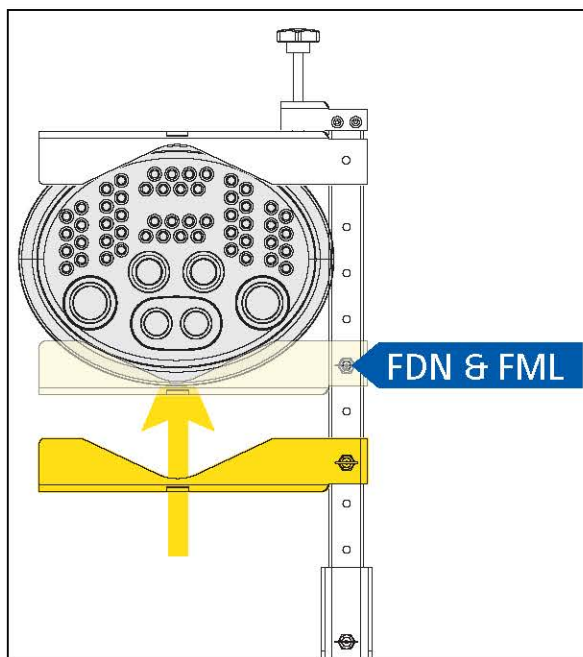
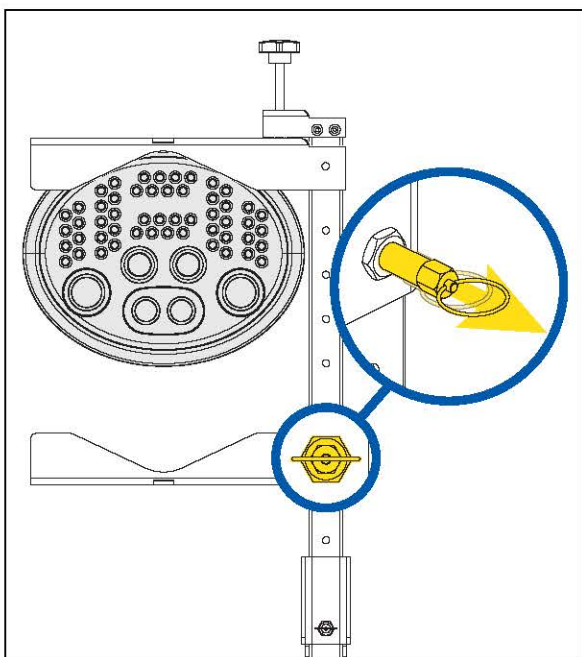
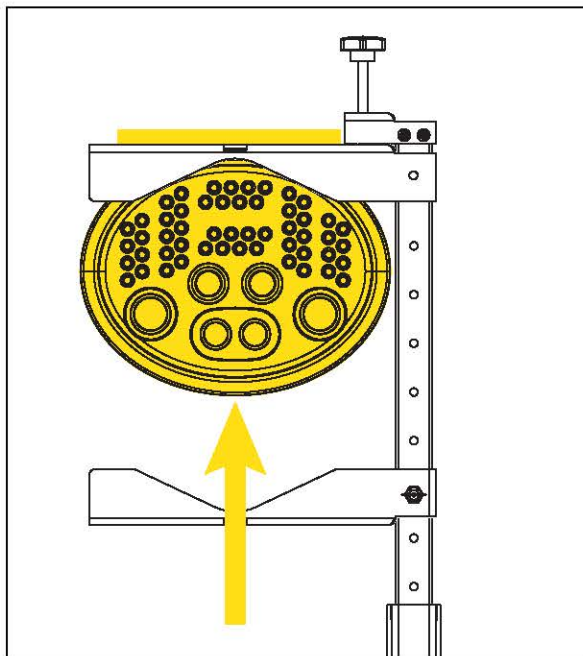
HORIZONTAL MOUNTING

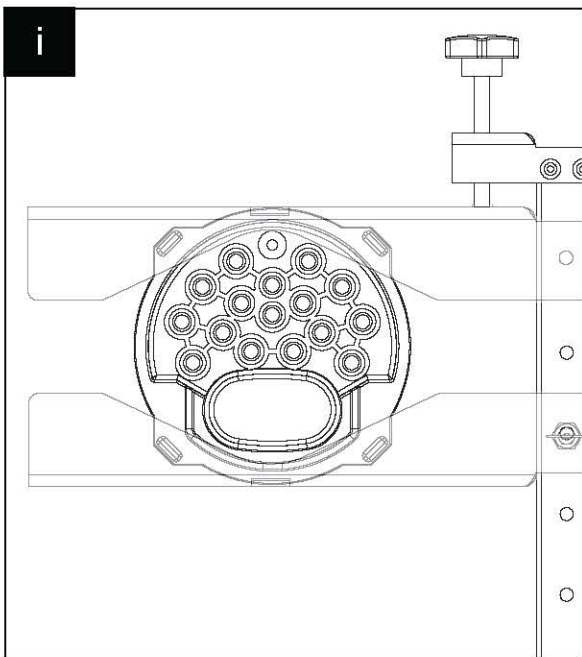
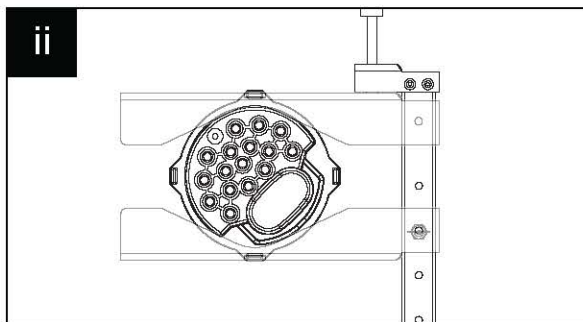
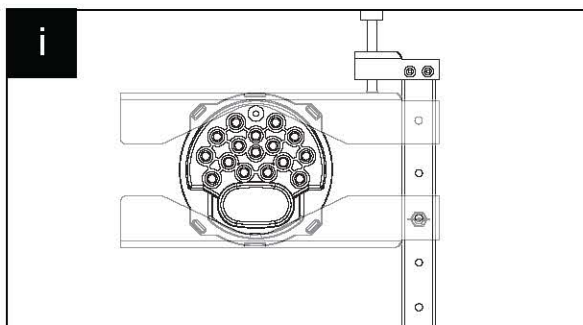
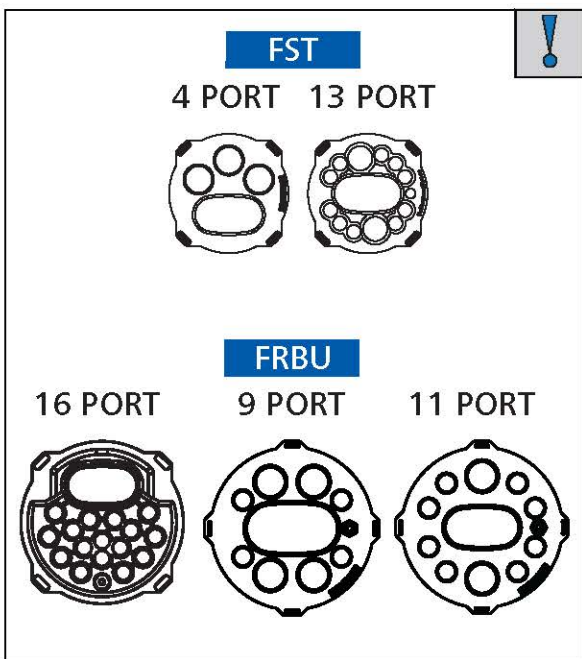
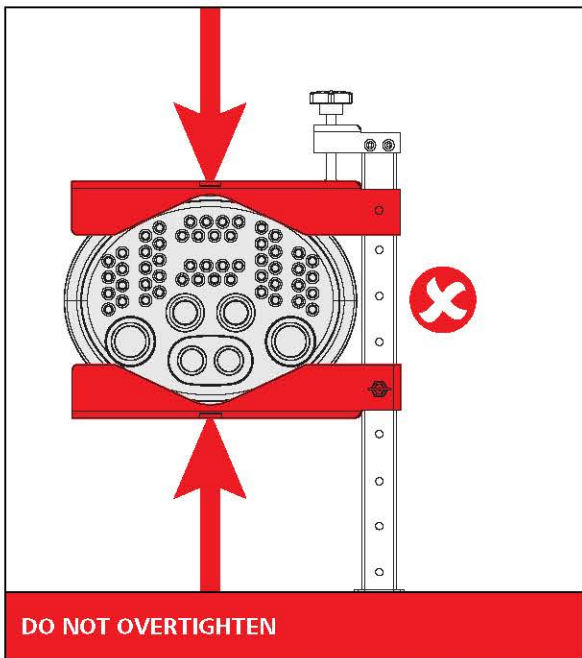


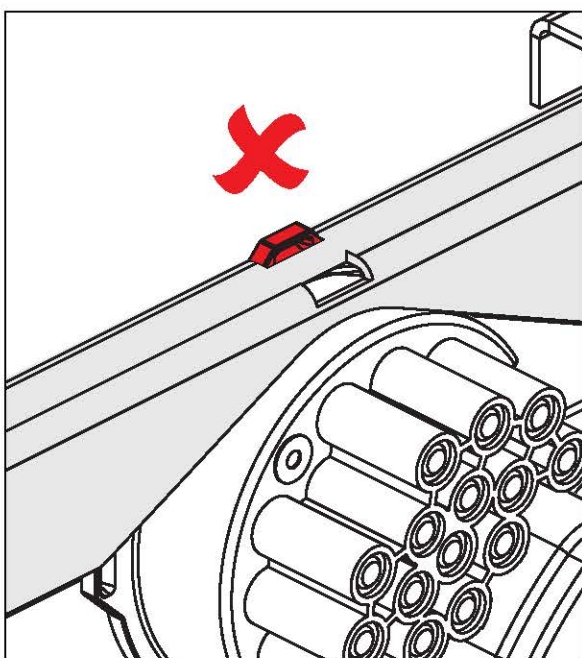
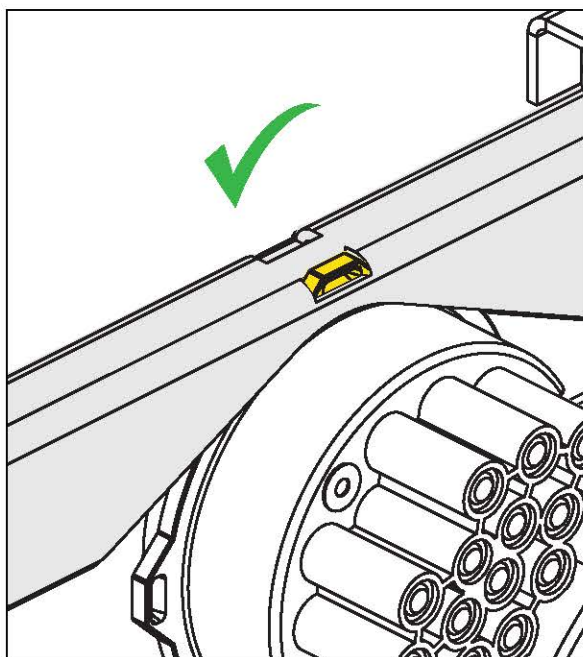
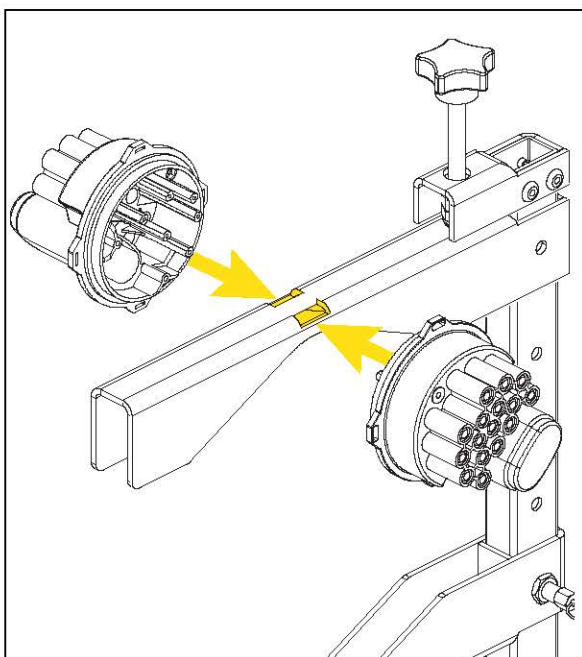
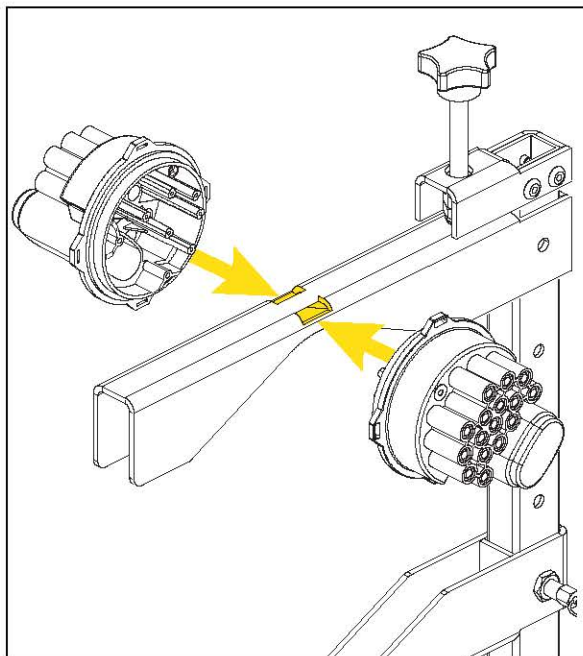
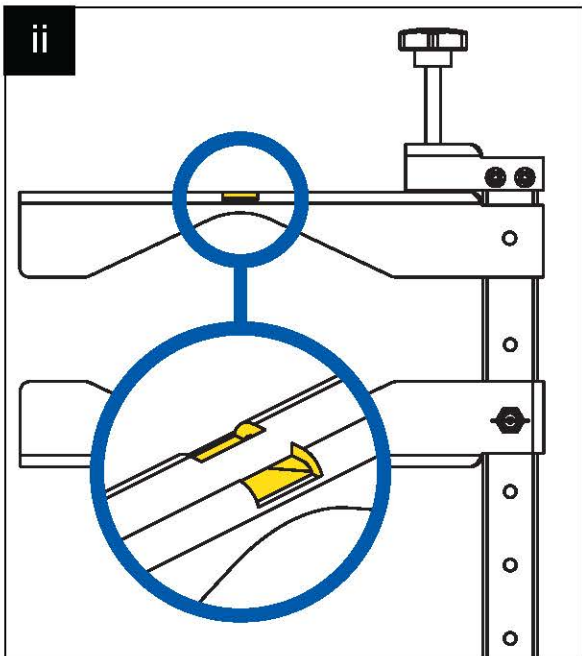


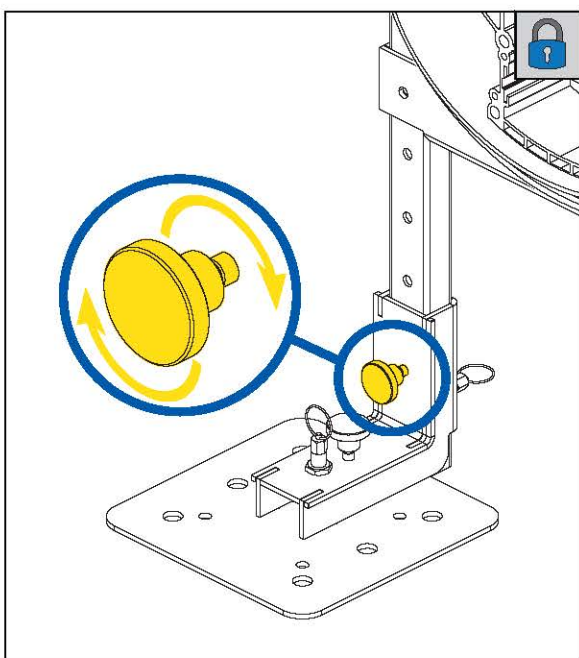
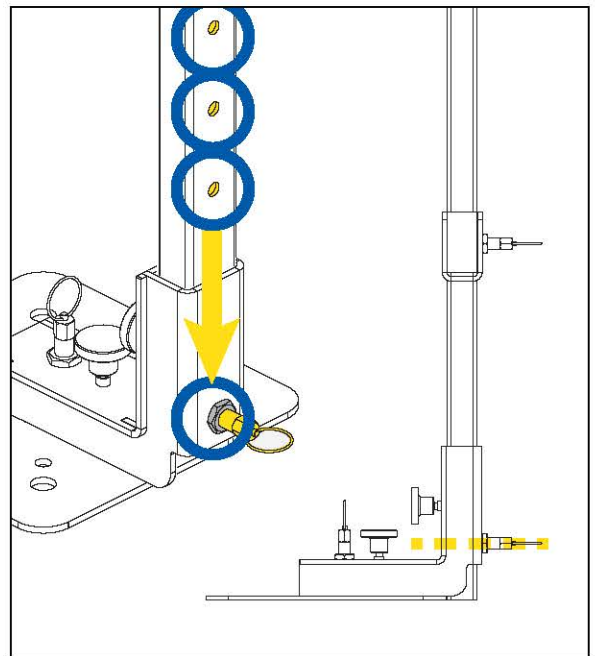
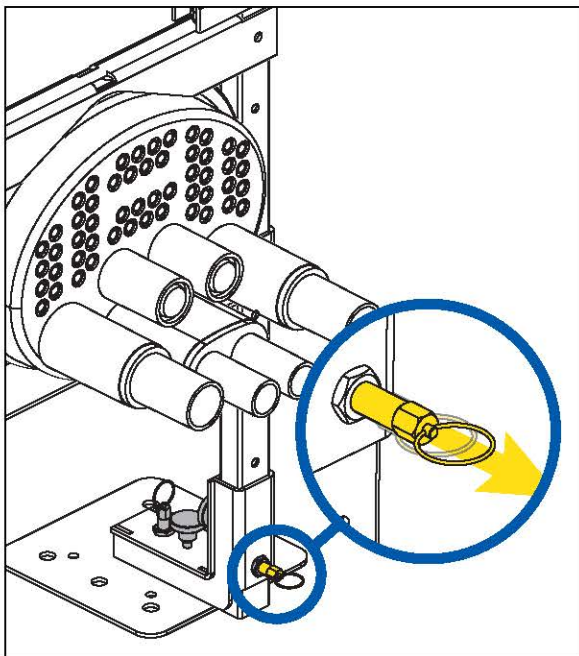
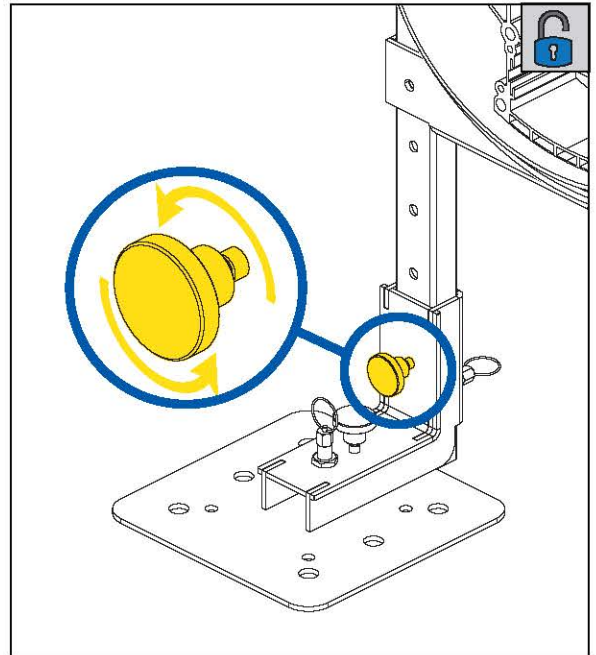
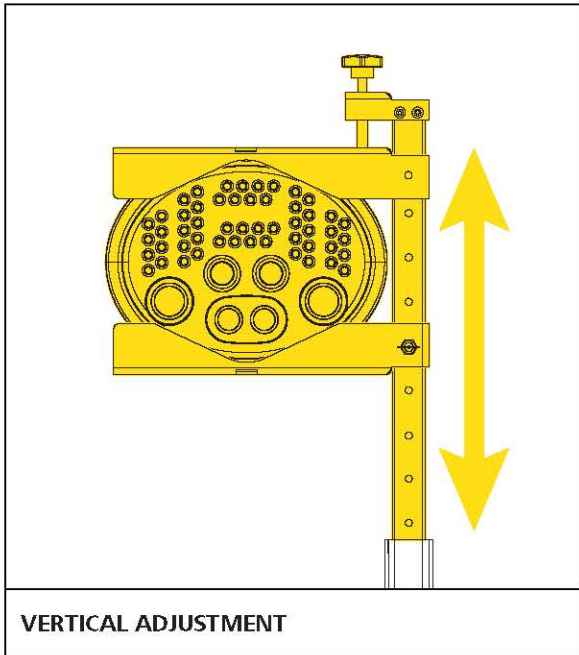


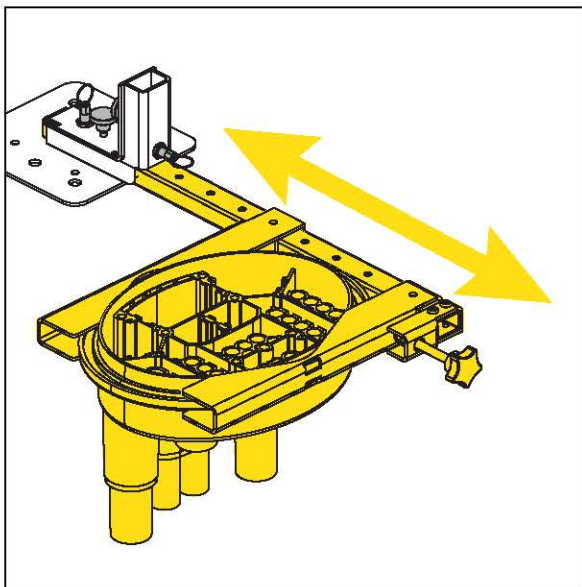
HORIZONTAL MOUNTING











HORIZONTAL ADJUSTMENT

