



## Cable Tie locked by glass fibre pin

### • KR-Series

#### Features and Benefits

The special curved design of the head ensures a seal around the full circumference of the hose / pipe. The patented design offers a smooth strap which is locked into place with a glass fibre reinforced pin, and when assembled the tie offers a very secure and vibration resistant fixing. Available as both fixed length ties or in a continuous roll (50 metres).

#### Application

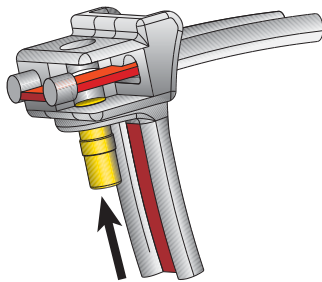
In addition to offering a secure method of bundling cables the design of the KR ties make them ideal for use as a method of securing bellows on steering racks, water hoses and vacuum lines.



*The KR8/33 has been repeatedly proven in High Vibration applications.*

#### Material Data

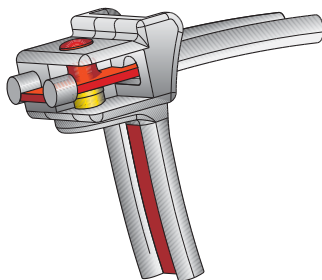
|                       |   |
|-----------------------|---|
| Material              | <b>Polyamide 6.6 (PA66)</b>                             |
| Colour                | <b>Natural (NA), Black (BK)</b>                         |
| Operating Temperature | <b>-40 °C to +85 °C Continuous, (+105 °C for 500 h)</b> |
| Flammability          | <b>UL94 V2</b>  |



*The unlocked head of a KR-tie.*

#### Material Data

|                       |  |
|-----------------------|--|
| Material              | <b>Polyamide 6.6 Heat Stabilised (PA66HS)</b>            |
| Colour                | <b>Natural (NA), Black (BK)</b>                          |
| Operating Temperature | <b>-40 °C to +105 °C Continuous, (+145 °C for 500 h)</b> |
| Flammability          | <b>UL94 V2</b>   |



*The cable tie (red) is locked into place with the pin.*

#### Material Data

|                       |   |
|-----------------------|---|
| Material              | <b>Polyamide 6.6 UV Resistant (PA66W)</b>               |
| Colour                | <b>Black (BK)</b>                                       |
| Operating Temperature | <b>-40 °C to +85 °C Continuous, (+105 °C for 500 h)</b> |
| Flammability          | <b>UL94 V2</b>  |





KR Series is available in different sizes.

For detailed information  
on Application Tools  
please refer to page 568.

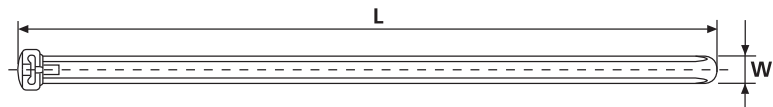
#### Material Data

|                       |  |
|-----------------------|--|
| Material              | <b>Polyamide 4.6 (PA46)</b>                                  |
| Colour                | <b>Grey (GY)</b>   |
| Operating Temperature | <b>-40 °C to +150 °C for 5000 h,<br/>(+195 °C for 500 h)</b> |
| Flammability          | <b>UL94 V2</b>   |



#### Material Data

|                       |   |
|-----------------------|---|
| Material              | <b>Polyamide 12 (PA12)</b>                                  |
| Colour                | <b>Black (BK)</b>   |
| Operating Temperature | <b>-40 °C to +85 °C Continuous,<br/>(+105 °C for 500 h)</b> |
| Flammability          | <b>UL94 HB</b>  |



Cable ties KR-Series

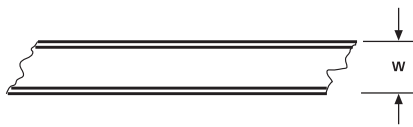
#### Technical Table

| Article-No.   | Type          | Length (L) | Width (W) | Bundle Ø max. | Min. Tensile Strength (N) | Material | Colour       | Application Tool |
|---------------|---------------|------------|-----------|---------------|---------------------------|----------|--------------|------------------|
| KR6           |               |            |           |               |                           |          |              |                  |
| 121-63519     | <b>KR6/35</b> | 356        | 6.0       | 93.0          | 490                       | PA66     | Natural (NA) | KR6/8            |
| 121-63555     | <b>KR6/35</b> | 356        | 6.0       | 93.0          | 490                       | PA66HS   | Natural (NA) | KR6/8            |
| 121-63560     | <b>KR6/35</b> | 356        | 6.0       | 93.0          | 490                       | PA66W    | Black (BK)   | KR6/8            |
| KR8 one piece |               |            |           |               |                           |          |              |                  |
| 121-82119     | <b>KR8/21</b> | 210        | 8.0       | 47.0          | 785                       | PA66     | Natural (NA) | KR6/8, KR8PNSE   |
| 121-82155     | <b>KR8/21</b> | 210        | 8.0       | 47.0          | 785                       | PA66HS   | Natural (NA) | KR6/8, KR8PNSE   |
| 121-82160     | <b>KR8/21</b> | 210        | 8.0       | 47.0          | 785                       | PA66W    | Black (BK)   | KR6/8, KR8PNSE   |
| 121-83319     | <b>KR8/33</b> | 337        | 8.0       | 86.0          | 785                       | PA66     | Natural (NA) | KR6/8, KR8PNSE   |
| 121-83370     | <b>KR8/33</b> | 337        | 8.0       | 86.0          | 785                       | PA66     | Black (BK)   | KR6/8, KR8PNSE   |
| 121-83355     | <b>KR8/33</b> | 337        | 8.0       | 86.0          | 785                       | PA66HS   | Natural (NA) | KR6/8, KR8PNSE   |
| 121-83360     | <b>KR8/33</b> | 337        | 8.0       | 86.0          | 785                       | PA66W    | Black (BK)   | KR6/8, KR8PNSE   |
| 121-83380     | <b>KR8/33</b> | 337        | 8.0       | 86.0          | 390                       | PA12     | Black (BK)   | KR6/8, KR8PNSE   |
| 121-83378     | <b>KR8/33</b> | 337        | 8.0       | 86.0          | 785                       | PA46     | Grey (GY)    | KR6/8, KR8PNSE   |
| 121-74359     | <b>KR8/43</b> | 426        | 8.0       | 105           | 785                       | PA66HS   | Natural (NA) | KR6/8, KR8PNSE   |
| 121-74360     | <b>KR8/43</b> | 426        | 8.0       | 105           | 785                       | PA66HS   | Black (BK)   | KR6/8, KR8PNSE   |

All dimensions in mm. Subject to technical changes.


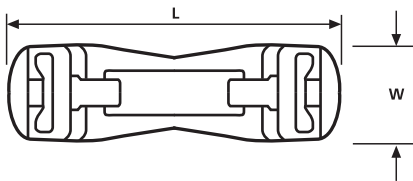


Please note! Not all products listed on this page may have this approval.  
For product specific approvals please refer to the Appendix.




Cable ties KR8S1

| Material Data         |   |
|-----------------------|---|
| Material              | <b>Polyamide 6.6 (PA66)</b>                             |
| Colour                | <b>Natural (NA), Black (BK)</b>                         |
| Operating Temperature | <b>-40 °C to +85 °C Continuous, (+105 °C for 500 h)</b> |
| Flammability          | <b>UL94 V2</b>  |





Double-head KR8C5

| Material Data         |  |
|-----------------------|--|
| Material              | <b>Polyamide 6.6 Heat Stabilised (PA66HS)</b>            |
| Colour                | <b>Natural (NA), Black (BK)</b>                          |
| Operating Temperature | <b>-40 °C to +105 °C Continuous, (+145 °C for 500 h)</b> |
| Flammability          | <b>UL94 V2</b>   |



| Material Data         |   |
|-----------------------|---|
| Material              | <b>Polyamide 6.6 UV Resistant (PA66W)</b>               |
| Colour                | <b>Black (BK)</b>                                       |
| Operating Temperature | <b>-40 °C to +85 °C Continuous, (+105 °C for 500 h)</b> |
| Flammability          | <b>UL94 V2</b>  |



Technical Table

| Article-No.           | Type           | Length (L) | Width (W) | Bundle Ø max. | Min. Tensile Strength (N) | Material | Colour       | Application Tool |
|-----------------------|----------------|------------|-----------|---------------|---------------------------|----------|--------------|------------------|
| KR8 ultrasonic welded |                |            |           |               |                           |          |              |                  |
| 121-05019             | <b>KR8/50</b>  | 500        | 8.0       | 152           | 785                       | PA66     | Natural (NA) | KR6/8, KR8PNSE   |
| 121-05051             | <b>KR8/50</b>  | 500        | 8.0       | 152           | 720                       | PA66HS   | Natural (NA) | KR6/8, KR8PNSE   |
| 121-05060             | <b>KR8/50</b>  | 500        | 8.0       | 152           | 785                       | PA66W    | Black (BK)   | KR6/8, KR8PNSE   |
| 121-06019             | <b>KR8/60</b>  | 600        | 8.0       | 184           | 785                       | PA66     | Natural (NA) | KR6/8, KR8PNSE   |
| 121-06060             | <b>KR8/60</b>  | 600        | 8.0       | 184           | 785                       | PA66W    | Black (BK)   | KR6/8, KR8PNSE   |
| 121-07019             | <b>KR8/70</b>  | 700        | 8.0       | 216           | 785                       | PA66     | Natural (NA) | KR6/8, KR8PNSE   |
| 121-07060             | <b>KR8/70</b>  | 700        | 8.0       | 216           | 785                       | PA66W    | Black (BK)   | KR6/8, KR8PNSE   |
| 121-08019             | <b>KR8/80</b>  | 800        | 8.0       | 248           | 785                       | PA66     | Natural (NA) | KR6/8, KR8PNSE   |
| 121-08060             | <b>KR8/80</b>  | 800        | 8.0       | 248           | 785                       | PA66W    | Black (BK)   | KR6/8, KR8PNSE   |
| 121-10019             | <b>KR8/100</b> | 1000       | 8.0       | 300           | 785                       | PA66     | Natural (NA) | KR6/8, KR8PNSE   |
| 121-10060             | <b>KR8/100</b> | 1000       | 8.0       | 300           | 785                       | PA66W    | Black (BK)   | KR6/8, KR8PNSE   |
| 121-11051             | <b>KR8/110</b> | 1100       | 8.0       | 344           | 720                       | PA66HS   | Natural (NA) | KR6/8, KR8PNSE   |
| 121-11060             | <b>KR8/110</b> | 1100       | 8.0       | 344           | 785                       | PA66W    | Black (BK)   | KR6/8, KR8PNSE   |
| 121-12019             | <b>KR8/120</b> | 1200       | 8.0       | 375           | 785                       | PA66     | Natural (NA) | KR6/8, KR8PNSE   |
| 121-15019             | <b>KR8/150</b> | 1500       | 8.0       | 471           | 785                       | PA66     | Natural (NA) | KR6/8, KR8PNSE   |
| KR8C5                 |                |            |           |               |                           |          |              |                  |
| 121-58560             | <b>KR8/C5</b>  | 38.0       | 11.7      | -             | -                         | PA66W    | Black (BK)   | KR6/8            |
| 121-58551             | <b>KR8/C5</b>  | 38.0       | 11.7      | -             | -                         | PA66HS   | Natural (NA) | KR6/8            |
| KR8S1                 |                |            |           |               |                           |          |              |                  |
| 121-98160             | <b>KR8/S1</b>  | 50         | 8.0       | -             | 785                       | PA66W    | Black (BK)   | KR6/8            |
| 121-98151             | <b>KR8/S1</b>  | 50         | 8.0       | -             | 720                       | PA66HS   | Natural (NA) | KR6/8            |

All dimensions in mm. Subject to technical changes.



## Endless cable ties with separate head and spacer

### • EL-TY-Series

#### Features and Benefits

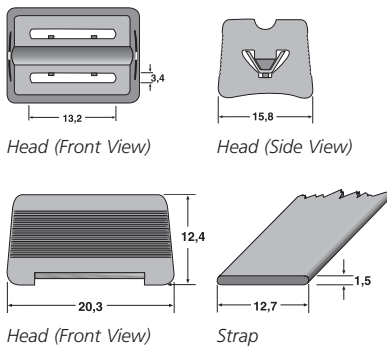
Manufactured from very strong Acetal (POM) the system consists of a continuous strap, spacers, and heads (which have stainless steel pawls). Once applied the tie offers a very secure fixing and offers good resistance to ageing and sunlight. The flexibility of the system allows for minimal stock holding of components as the system can be used to suit any bundle diameter.

#### Application

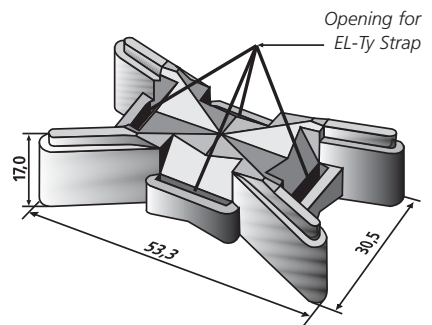
These robust cable ties are particularly suitable for use with larger diameter cables, pipes and hoses. Designed originally for securing overhead, catenary, cables (when used with the spacers) they are now used in many industries from the building sector, through to the chemical industry, to the installation of signs for traffic management.



The EL-Ty can be cut to suit any bundle.



Spacer.



Opening for EL-Ty Strap

#### Material Data

|                       |   |
|-----------------------|---|
| Material Head         | Polyacetal (POMUV; ST) with stainless steel pawl UV-resistant |
| Cable Tie             | Polyacetal (POMUV), UV-weather resistant                      |
| Material Spacer       | Polypropylene, UV-resistant (PP)                              |
| Colour                | Black (BK)  |
| Operating Temperature | -40 °C to +85 °C  |
| Flammability          | UL94 HB   |

For detailed information on Application Tools please refer to page 564.

#### Technical Table

| Article-No. | Type | Min. Tensile Strength (N) | Material | Colour     | Application Tool | Pack Cont.          |
|-------------|------|---------------------------|----------|------------|------------------|---------------------|
| 111-30000   | TELS | 1111                      | POM      | Black (BK) | MK9HT            | 15m strap, 30 heads |
| 111-31000   | TELS | 1111                      | POM      | Black (BK) | MK9HT            | 25                  |
| 111-32000   | TELS | -                         | PP       | Black (BK) | -                | 50                  |

All dimensions in mm. Subject to technical changes.