



FlexiGuard Conduits & Fittings

• FlexiGuard PVC Protective Conduits

Features and Benefits

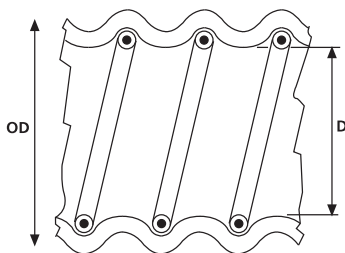
Flexiguard is a highly flexible protective hose made of a high-grade PVC and a plastic coated spring steel wire. It offers good mechanical protection and fulfils IP 68. Due to its very low bending radius, Flexiguard can be used under very difficult conditions.

Application

FlexiGuard protective hoses are used to protect cables in machines and plant construction, and robotics as well as leads to switch cabinets.



FlexiGuard FG with FG-UH fitting.



FlexiGuard

Material Data	
Material	Flexible Polyvinyl Chloride, cadmium free (PVC), Steel (ST)
Colour	Grey (GY)
Operating Temperature	-20 °C to +70 °C, Intermittent +80 °C
Flammability	UL94 HB



Technical Table

Article-No.	Type	Inside Ø	Outside Ø (OD)	Bending Radius	Reel Length (m)
FlexiGuard					
167-00209	FG14	10	14	14	10
167-00211	FG17	13	17	17	10
167-00213	FG19	15	19	19	10
167-00216	FG21	16	21	21	10
167-00221	FG27	21	27	27	10
167-00229	FG36	30	36	36	10
167-00236	FG45	38	45	45	10
167-00248	FG56	48	56	56	10

All dimensions in mm. Subject to technical changes.



FlexiGuard Conduits & Fittings

• FG-M Fittings

Features and Benefits

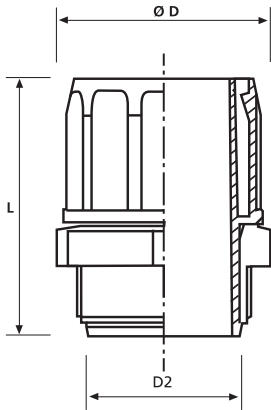
The TV fittings and TH fasteners have metric threads and an IP54 rating.

Application

The TV fittings and TH fasteners are used to protect against dust and moisture, for instance outdoors or wherever dust and moisture are a particular hazard.



FG-M Metric Conduit Fitting.



HG-M and HG-P fittings

Material Data	
Material	Polypropylene (PP)
Colour	Grey (GY)
Operating Temperature	-35 °C to +80 °C
Protection Class	IP54
Flammability	UL94 V2



Technical Table							
Article-No.	Type	For Hose Outer Ø D	Inner Ø D2	Thread Size (metric)	Thread Size (PG)	Length (L)	Ø D
Connecting Screw Fittings							
167-00530	FG14-M16	14	8.8	M16	–	42.0	22.0
167-00510	FG14-PG9	14	8.8	–	PG9	42.0	22.0
167-00531	FG17-M20	17	11.1	M20	–	45.5	26.4
167-00511	FG17-PG11	17	11.1	–	PG11	45.5	26.4
167-00512	FG19-PG13	19	13.0	–	PG13	47.5	29.7
167-00533	FG21-M25	21	14.8	M25	–	49.8	33.0
167-00513	FG21-PG16	21	14.8	–	PG16	49.8	33.0
167-00534	FG27-M32	27	19.4	M32	–	52.0	39.6
167-00514	FG27-PG21	27	19.4	–	PG21	52.0	39.6
167-00535	FG36-M40	36	27.9	M40	–	55.0	50.6
167-00515	FG36-PG29	36	27.9	–	PG29	55.0	50.6
167-00536	FG45-M50	45	35.6	M50	–	58.0	60.5
167-00516	FG45-PG36	45	35.6	–	PG36	58.0	60.5
167-00537	FG56-M63	56	45.9	M63	–	60.5	71.5
167-00517	FG56-PG48	56	45.9	–	PG48	60.5	71.5

All dimensions in mm. Subject to technical changes.



FlexiGuard Conduits & Fittings

• FG-UH Fittings with Bracket

Features and Benefits

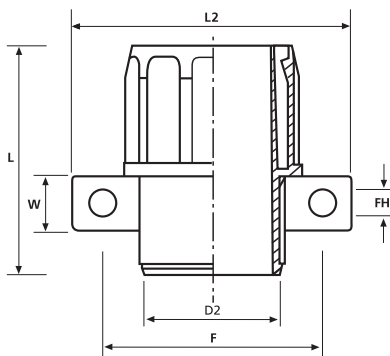
- One piece, easy fit
- Swivel bracket
- Vibration and tension resistant
- Large inner diameter
- Inner ferrule protects cables
- Good resistance chemicals
- Good resistance to UV and ozone

Application

The fittings are used to fix Flexiguard hoses securely and to protect against dust or liquids.





FG-UH fitting with bracket.



FG-UH fitting with bracket.

Material Data	
Material	Polypropylene (PP)
Colour	Grey (GY)
Operating Temperature	-35 °C to +80 °C
Protection Class	IP54
Flammability	UL94 V2

Technical Table

Article-No.	Type	For Hose Outer Ø D	Inner Ø D2	Length (L)	Length (L2)	Width (W)	Fixing Hole Ø (FH)	Fixing Hole Centres (F)
Connecting Mounts								
167-00520	FG14-UH	14	8.8	42.0	40.0	10.0	5.7	29.0
167-00521	FG17-UH	17	11.1	45.5	50.0	12.0	5.7	37.0
167-00522	FG19-UH	19	13.0	47.5	50.0	12.0	5.7	37.0
167-00523	FG21-UH	21	14.8	49.8	50.0	12.0	5.7	37.0
167-00524	FG27-UH	27	19.4	52.0	57.0	12.5	5.7	43.0
167-00525	FG36-UH	36	27.9	55.0	67.0	13.0	6.7	53.0
167-00526	FG45-UH	45	35.6	58.0	80.0	14.0	6.7	65.0
167-00527	FG56-UH	56	45.9	60.5	93.0	16.5	6.7	76.0

All dimensions in mm. Subject to technical changes.



Non-Metallic Conduits

• CTT PTFE Conduits

Features and Benefits

The unique advantages of PTFE include excellent resistance to almost all chemical as well as low and high temperatures, very good tensile strength and fatigue life, and superior dielectric strength and anti-adhesive properties. The CTT conduits made of PTFE protect cables from extreme temperatures, fire, moisture, corrosion, vibration and abrasion.

Application

CTT conduits are used in many industries with very demanding environments, including

- aviation
- aerospace
- chemical
- pharmaceutical
- food processing
- ship building
- electrical industry



The CTT conduits made of PTFE protect cables from extreme temperatures, fire, moisture, corrosion, vibration and abrasion.

Material Data

Material	Polytetrafluoroethylene (PTFE)
Colour	Black (BK)
Specification	NSA 935805
Operating Temperature	-200 °C to +260 °C



Technical Table

Article-No.	Type	Nominal Ø	Outside Ø	Inside Ø	Weight (g/m)	Reel Length (m)
169-23004	CTT-04 NSA935805-04	4	5.50	3.0	10	50
169-23006	CTT-06 NSA935805-06	6	8.10	4.6	28	50
169-23009	CTT-09 NSA935805-09	9	10.60	7.0	35	50
169-23010	CTT-10 NSA935805-10	10	11.40	7.6	40	50
169-23012	CTT-12 NSA935805-12	12	13.00	9.2	53	50
169-23014	CTT-14 NSA935805-14	14	14.60	10.8	55	50
169-23016	CTT-16 NSA935805-16	16	16.20	12.3	65	25
169-23020	CTT-20 NSA935805-20	20	19.50	15.6	95	25
169-23024	CTT-24 NSA935805-24	24	23.50	19.0	130	25
169-23032	CTT-32 NSA935805-32	32	31.25	24.5	180	25

All dimensions in mm. Subject to technical changes.